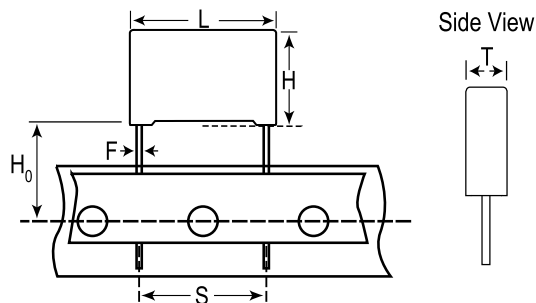


**KEMET Part Number: PHE426MK4330JR17T0**  
(F426KG332J630L, PHE426MK4330JK01R17T0)

PHE426/F426, Film, Metallized Polypropylene, General Purpose, 3300 pF, 5%, 630 V, 85C, Lead Spacing = 7.5mm



General Information	
Supplier:	KEMET
Series:	PHE426/F426
Dielectric:	Metallized Polypropylene
Style:	Radial
Features:	Pulse
RoHS:	Yes
Lead:	Wire Leads
Notes:	Not For New Design, Please Check Possible Alternative Parts (AltPart)

Dimensions	
L	10mm MAX
H	8mm MAX
T	4mm MAX
S	7.5mm +0.6/-0.1mm
H0	17mm NOM
F	0.6mm NOM

Specifications	
Capacitance:	3300 pF
Capacitance Tolerance:	5%
Voltage DC:	630 VDC, 466 VDC (105C)
Voltage AC:	250 VAC
Temperature Range:	-55/+105C
Rated Temperature:	85C
Dissipation Factor:	0.05% 1kHz, 0.25% 100kHz
Insulation Resistance:	100 GOhms
Max dV/dt:	200 V/us
Inductance:	6 nH

Packaging Specifications	
Packaging:	T&R
Packaging Quantity:	1700