

6

5

4

3

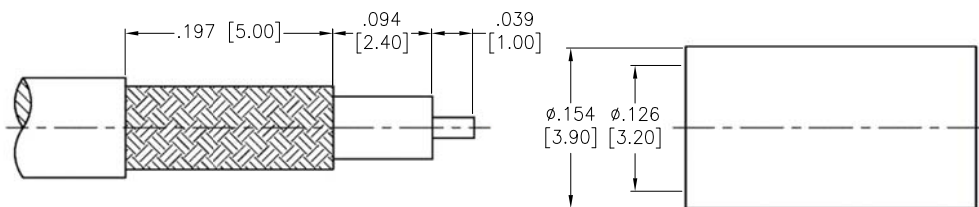
2

1

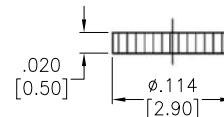
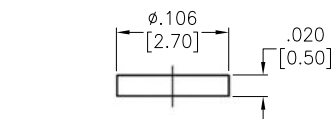
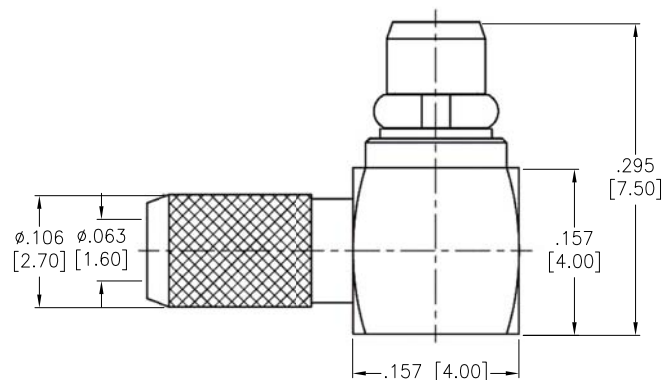
APPROVED: \_\_\_\_\_

DATE: \_\_\_\_\_ TITLE: \_\_\_\_\_

Rev	AWO #	Description	Date	Appr
-		RELEASED	10/2/15	



RECOMMENDED CABLE STRIPPING DIM'S



FERRULE	BRASS	GOLD
COVER	BRASS	GOLD
INSULATOR	POM	NATURAL
CONTACT PIN	BRASS	GOLD
RING	BERYLLIUM COPPER	GOLD
BODY	BRASS	GOLD
INSULATOR	PTFE	WHITE
BARREL	BRASS	GOLD
DESCRIPTION	MATERIAL	FINISH

**SPECIFICATIONS:**

**Electrical:**

Frequency Range: DC-6 GHz  
 Normal Impedance: 50 ohm  
 Operating voltage: 170 VOLTS max.  
 Proof voltage: 500 VOLTS  
 VSWR: 1.3 max. @ 3 GHz

**Temperature Rating:**

Operating temperature: -55°C to +155°C

**Environmental:**

Lead free, RoHS compliant.



UNLESS OTHERWISE SPECIFIED  
 ALL DIMENSIONS ARE INCHES [MM]  
 TOLERANCES: EXCEPT AS NOTED  
 INCHES HOLES  
 .X ± .10 Ø.X ± .10  
 .XX ± .020 Ø.XX ± .015  
 .XXX ± .015 Ø.XXX ± .010

# ADAM TECH

909 Rahway Avenue, Union, NJ 07083  
 Phone: 908-687-5000 Fax: 908-687-5710

TITLE: RF CONNECTOR, TYPE MMCX, PLUG, R/A  
 50 OHM, RG-174/U, 316/U, LMR-100

APPROVALS		DATE
DRAWN	AY	10/2/15
CHECKED	TW	10/2/15
APPROVED		

SIZE X	PART NO. RF12-08B-T-02-50-G	REV. -
REF: S00277T	SCALE: NTS	SHEET 1 OF 1

6

5

4

3

2

1