

Getting Started with the Traveo™ Family S6J3400 Series

Author: Kazuo Umeno

Associated Part Family: [Traveo Family S6J3400 Series](#)

Related Documents: For a complete list, [click here](#).

AN214051 describes the development tools available for the Traveo™ family S6J3400 series.

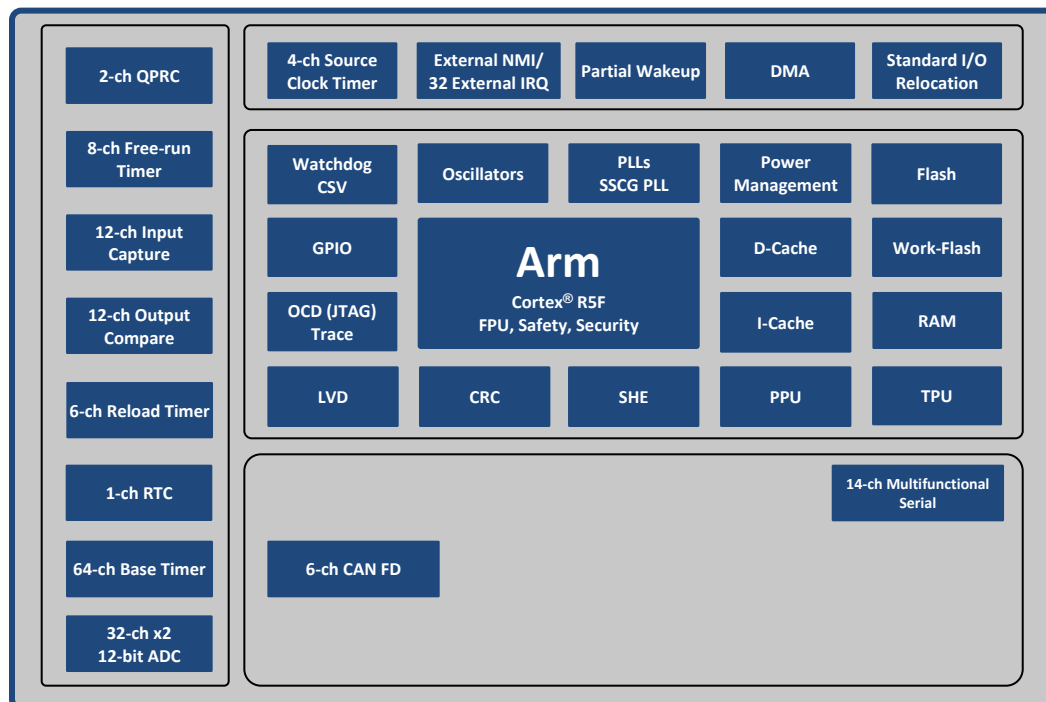
1 Introduction

This application note describes the development environment and tools to get started with the Traveo family S6J3400 series. The series includes an Arm® Cortex®-R5F CPU core with Secure Hardware Extension (SHE), CAN FD, memory, and analog and digital peripheral functions in a single chip. The product lineup of the S6J3400 series features 100-pin to 176-pin packages and memory size variations. Refer to the [related documents](#) for more details.

2 Traveo Family S6J3400 Series Feature Set

The Traveo family S6J3400 series has a body control module (BCM) feature and other resources, as [Figure 1](#) shows.

Figure 1. Traveo Family S6J3400 Series Block Diagram (maximum channels)



The following are the major features of the Traveo family S6J3400 series. For more information, see [related documents](#).

- 32-bit MCU core system
 - Up to 132-MHz Arm Cortex-R5F
 - Up to 1-MB flash memory, up to 128-KB RAM with backup RAM
- Supply voltage
 - 3.3 V or 5.0 V
- Interface
 - Up to 6-ch CAN FD, up to 14-ch multifunction serial interface
- ADC
 - Up to 64 ch
- Packages
 - 100-pin LQFP
 - 144-pin LQFP
 - 176-pin TEQFP

3 Development Environment and Tools

3.1 Evaluation Board

Cypress provides a wealth of evaluation boards to help you get started with an MCU. The S6J3400 series evaluation boards work by connecting the main board and sub-board. Contact your sales representative or [Cypress Technical Support](#) if you want to buy the evaluation board.

[Table 1](#) lists the functions that can be used by the Traveo board connection and the current part numbers for the evaluation boards in the S6J3400 series for the 176-pin, 144-pin, and 100-pin packages with MCU.

Table 1. Evaluation Boards

Part Number	S6T3J300411A000A2	S6T3J300411A176A2	S6T3J300411A144A2	S6T3J300411B100A2
Description	Main board	Sub-board	Sub-board	Sub-board
Pins	–	176	144	100
CAN FD	6 ch	–	–	–
LIN	2 ch	–	–	–
CXPI	1 ch	–	–	–
ADC	64 ch	–	–	–
Main board	–	Connect	Connect	Connect

3.2 Sample Software

Contact your sales representative or [Cypress Technical Support](#) if you want to use the sample software.

3.3 Debugging Tools

Debugging tools are provided by third parties, as listed in Table 2. Cypress provides sample software (template project and sample driver) for each tool. The template project includes I/O header files, startup settings, and some sample sources. It is recommended to start using the S6J3400 series with the evaluation board and tools. The sample driver includes some sources for peripheral features of the S6J3400 series.

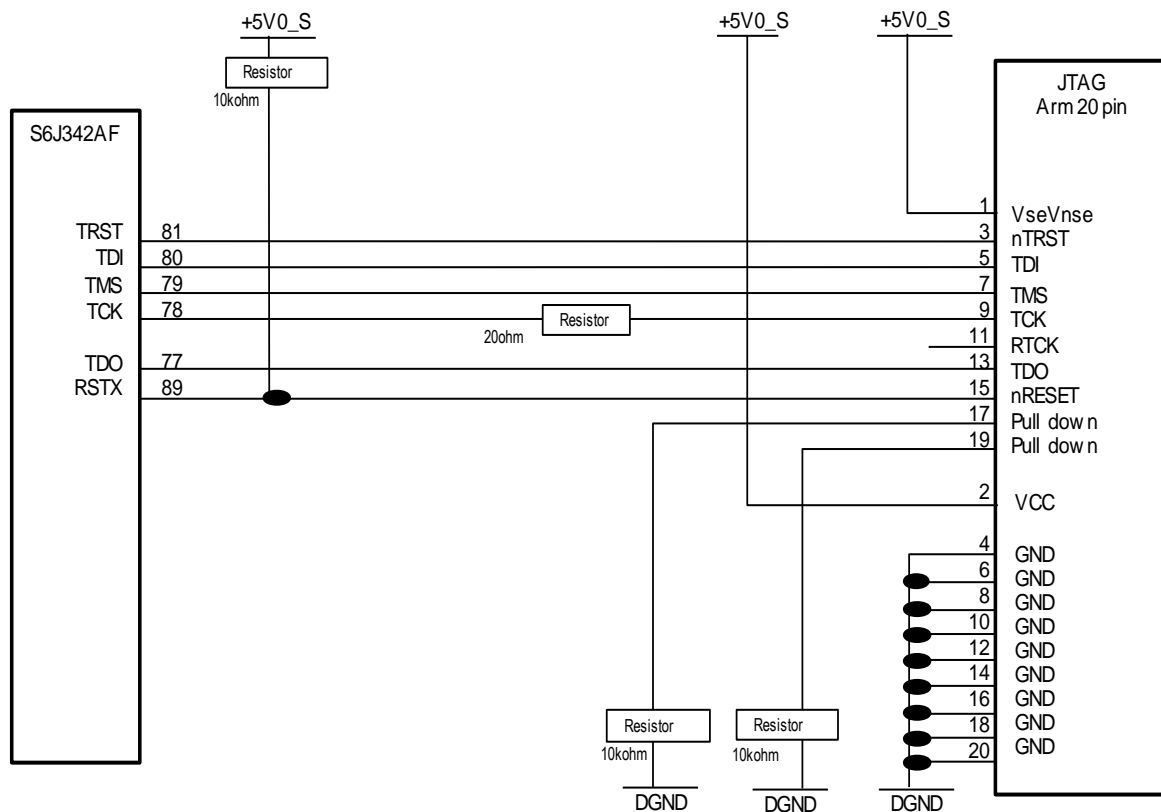
Table 2. Debugging Tools

Vendor	Software (Integrated Development Environment)	Hardware (Debugging Tools)
Green Hills Software	MULTI v2015.1.6 or later	Green Hills Probe
IAR Systems	IAR Embedded Workbench for Arm (EWARM) v7.30.4 or later	I-jet

4 Connection Diagram and Operation Modes

The S6J3400 series has JTAG ports to connect with a debugging tool, but the nRESET JTAG port is not supported in this series. Therefore, nRESET should be connected to the RSTX port of this product, if needed. Figure 2 shows an example of a basic connection diagram for S6J342AF.

Figure 2. S6J342AF Basic Connection Diagram with Arm JTAG 20



The S6J3400 series has a User mode and Serial Write modes. Figure 2 shows the User mode connection. The Serial Write modes use P020 and P022 with the MODE port. Table 3 lists the operation modes combined with the MODE, P020, and P022 ports.

The Serial Write modes (sync and async) support writing a user program to the flash memory included in the MCU through the UART connection. The PC and target MCU are connected via a serial cable. Cypress provides flash program software that works on the PC, and the evaluation board has an UART port. Contact your sales representative or [Cypress Technical Support](#) if you want to evaluate the flash program software.

In addition, a serial flash memory programmer provided by DTS INSIGHT Corporation supports writing a user program to the flash memory using a serial port in the S6J3400 series. A Parallel Flash programmer provided by Minato Advanced Technologies Inc. and BPM Microsystems Inc. supports writing a user program to the flash memory.

Table 3. Operation Modes

Operation Mode	MODE	P020	P022
User mode	1	–	–
Serial Write mode (sync)	0	1	0
Serial Write mode (async)	0	1	1
JTAG Boundary Scan Mode	0	0	0

5 Summary

Cypress provides a wealth of evaluation boards and sample software to help you get started with Traveo. To evaluate the S6J3400 series evaluation boards, contact your sales representative or [Cypress Technical Support](#).

6 Related Documents

- [Traveo Family Hardware Manual Platform Part](#)
- [S6J3400 Series 32-Bit Microcontroller Traveo Family Hardware Manual](#)
- [S6J3400 Series 32-Bit Microcontroller Traveo Family Datasheet](#)

Document History

Document Title: AN214051 – Getting Started with the Traveo™ Family S6J3400 Series

Document Number: 002-14051

Revision	ECN	Submission Date	Description of Change
**	5381158	08/05/2016	New application note.
*A	5840501	08/01/2017	Updated logo and copyright.
*B	6662520	08/29/2019	Updated the support package type. Updated the part number of the 100-pin Sub-board in Table 1. Updated Table 3. Updated 6 Related Documents links.

Worldwide Sales and Design Support

Cypress maintains a worldwide network of offices, solution centers, manufacturer's representatives, and distributors. To find the office closest to you, visit us at [Cypress Locations](#).

Products

Arm® Cortex® Microcontrollers	cypress.com/arm
Automotive	cypress.com/automotive
Clocks & Buffers	cypress.com/clocks
Interface	cypress.com/interface
Internet of Things	cypress.com/iot
Memory	cypress.com/memory
Microcontrollers	cypress.com/mcu
PSoC	cypress.com/psoc
Power Management ICs	cypress.com/pmic
Touch Sensing	cypress.com/touch
USB Controllers	cypress.com/usb
Wireless Connectivity	cypress.com/wireless

PSoC® Solutions

[PSoC 1](#) | [PSoC 3](#) | [PSoC 4](#) | [PSoC 5LP](#) | [PSoC 6 MCU](#)

Cypress Developer Community

[Community](#) | [Projects](#) | [Videos](#) | [Blogs](#) | [Training](#)
| [Components](#)

Technical Support

cypress.com/support

All other trademarks or registered trademarks referenced herein are the property of their respective owners.



Cypress Semiconductor
198 Champion Court
San Jose, CA 95134-1709

© Cypress Semiconductor Corporation, 2016-2019. This document is the property of Cypress Semiconductor Corporation and its subsidiaries ("Cypress"). This document, including any software or firmware included or referenced in this document ("Software"), is owned by Cypress under the intellectual property laws and treaties of the United States and other countries worldwide. Cypress reserves all rights under such laws and treaties and does not, except as specifically stated in this paragraph, grant any license under its patents, copyrights, trademarks, or other intellectual property rights. If the Software is not accompanied by a license agreement and you do not otherwise have a written agreement with Cypress governing the use of the Software, then Cypress hereby grants you a personal, non-exclusive, nontransferable license (without the right to sublicense) (1) under its copyright rights in the Software (a) for Software provided in source code form, to modify and reproduce the Software solely for use with Cypress hardware products, only internally within your organization, and (b) to distribute the Software in binary code form externally to end users (either directly or indirectly through resellers and distributors), solely for use on Cypress hardware product units, and (2) under those claims of Cypress's patents that are infringed by the Software (as provided by Cypress, unmodified) to make, use, distribute, and import the Software solely for use with Cypress hardware products. Any other use, reproduction, modification, translation, or compilation of the Software is prohibited.

TO THE EXTENT PERMITTED BY APPLICABLE LAW, CYPRESS MAKES NO WARRANTY OF ANY KIND, EXPRESS OR IMPLIED, WITH REGARD TO THIS DOCUMENT OR ANY SOFTWARE OR ACCOMPANYING HARDWARE, INCLUDING, BUT NOT LIMITED TO, THE IMPLIED WARRANTIES OF MERCHANTABILITY AND FITNESS FOR A PARTICULAR PURPOSE. No computing device can be absolutely secure. Therefore, despite security measures implemented in Cypress hardware or software products, Cypress shall have no liability arising out of any security breach, such as unauthorized access to or use of a Cypress product. CYPRESS DOES NOT REPRESENT, WARRANT, OR GUARANTEE THAT CYPRESS PRODUCTS, OR SYSTEMS CREATED USING CYPRESS PRODUCTS, WILL BE FREE FROM CORRUPTION, ATTACK, VIRUSES, INTERFERENCE, HACKING, DATA LOSS OR THEFT, OR OTHER SECURITY INTRUSION (collectively, "Security Breach"). Cypress disclaims any liability relating to any Security Breach, and you shall and hereby do release Cypress from any claim, damage, or other liability arising from any Security Breach. In addition, the products described in these materials may contain design defects or errors known as errata which may cause the product to deviate from published specifications. To the extent permitted by applicable law, Cypress reserves the right to make changes to this document without further notice. Cypress does not assume any liability arising out of the application or use of any product or circuit described in this document. Any information provided in this document, including any sample design information or programming code, is provided only for reference purposes. It is the responsibility of the user of this document to properly design, program, and test the functionality and safety of any application made of this information and any resulting product. "High-Risk Device" means any device or system whose failure could cause personal injury, death, or property damage. Examples of High-Risk Devices are weapons, nuclear installations, surgical implants, and other medical devices. "Critical Component" means any component of a High-Risk Device whose failure to perform can be reasonably expected to cause, directly or indirectly, the failure of the High-Risk Device, or to affect its safety or effectiveness. Cypress is not liable, in whole or in part, and you shall and hereby do release Cypress from any claim, damage, or other liability arising from any use of a Cypress product as a Critical Component in a High-Risk Device. You shall indemnify and hold Cypress, its directors, officers, employees, agents, affiliates, distributors, and assigns harmless from and against all claims, costs, damages, and expenses, arising out of any claim, including claims for product liability, personal injury or death, or property damage arising from any use of a Cypress product as a Critical Component in a High-Risk Device. Cypress products are not intended or authorized for use as a Critical Component in any High-Risk Device except to the limited extent that (i) Cypress's published data sheet for the product explicitly states Cypress has qualified the product for use in a specific High-Risk Device, or (ii) Cypress has given you advance written authorization to use the product as a Critical Component in the specific High-Risk Device and you have signed a separate indemnification agreement.

Cypress, the Cypress logo, Spansion, the Spansion logo, and combinations thereof, WICED, PSoC, CapSense, EZ-USB, F-RAM, and Traveo are trademarks or registered trademarks of Cypress in the United States and other countries. For a more complete list of Cypress trademarks, visit cypress.com. Other names and brands may be claimed as property of their respective owners.