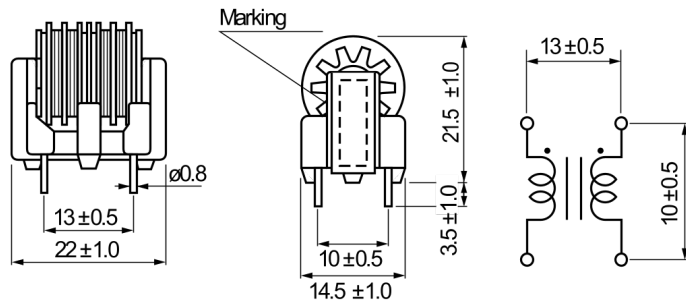


SS1V-07120-CH

Aliases (UAL11V07120CH0, SS1V/H-07120-CH)

Not for New Design

KEMET, SS1V/H-CH, AC Line Filters, Common Mode, 12 mH



General Information

Series	SS1V/H-CH
Style	Through-Hole
RoHS	Yes
Miscellaneous	Inductance Measurement Condition: 1kHz 1V KC530.

Specifications

Voltage AC	250 VAC
Inductance	12 mH
Current	700 mA
Temperature Range	-25/+120°C
DC Resistance	900 mOhms

Dimensions

L	22mm +/-1mm
T	14.5mm +/-1mm
H	21.5mm +/-1mm
LL	3.5mm +/-1mm
S	13mm +/-0.5mm
S1	10mm +/-0.5mm

Packaging Specifications

Component Weight	10.8 g
------------------	--------