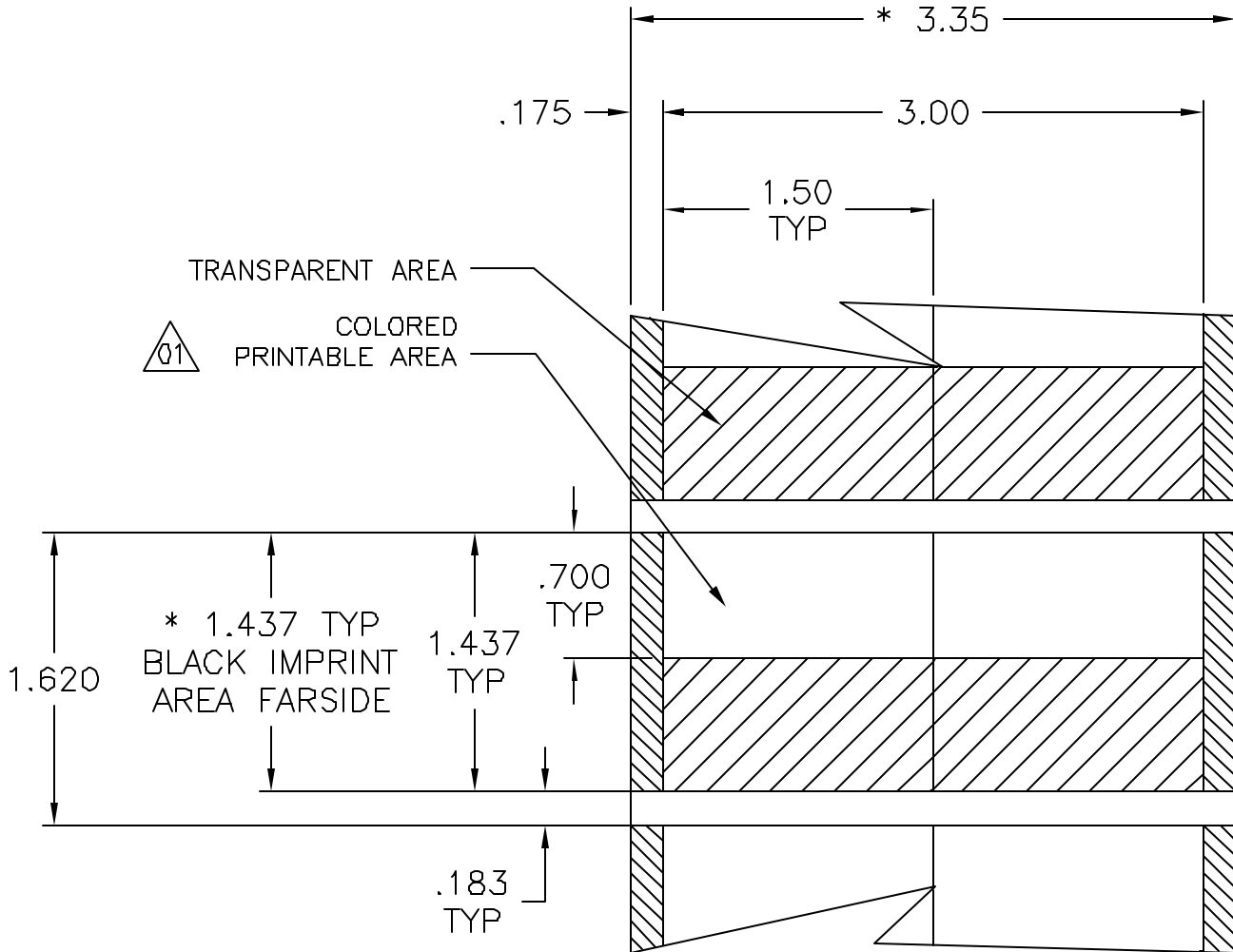


name	date	city, state

NOTES

\* DIMENSIONS FOR FAR SIDE OF RELEASE LINER



2,500 COLOR/TRANSPARENT LABELS PER ROLL. 2 ACROSS ON 3" CORE.



**PART NUMBER DESCRIPTION**

TAG53T2-100B\_ PRINTABLE AREA COLOR  
(CONSULT FACTORY FOR AVAIL. COLOR)

REVISION	level	DIMENSIONS TOLERANCES UNLESS OTHERWISE SPECIFIED units inches	PART	number	TAG53T2-100B_	phase	PRODUCTION	DRAWING	FORMAT	AV	version	L	CAD	ACAD	scale	1X
	date			04/23/07	name	TAG53T2-100B_ THERMAL TRANSFER SELF-LAMINATING LABEL			computer file number	LA/DTL/3002133_01		previous number				
	by			AAC	material	100 CLEAR VINYL			drawn	A.A.M.	checked	K.A.C.	approved			
	EGN #			010727						date	02/15/00		04/25/07		sheet	1 of 1
part level	-						type	DETAIL								
							number	LA3002133DTL								