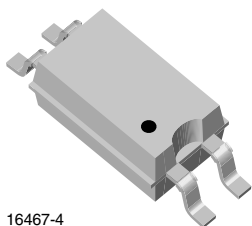
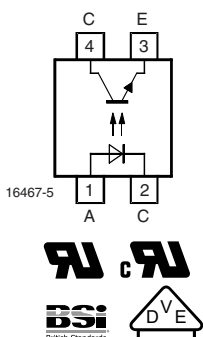




# Optocoupler, Phototransistor Output, Single Channel, Half Pitch Mini-Flat Package



16467-4



16467-5



## FEATURES

- Low profile package (half pitch)
- AC isolation test voltage 3750 V<sub>RMS</sub>
- Low coupling capacitance of typical 0.3 pF
- Current transfer ratio (CTR) selected into groups
- Low temperature coefficient of CTR
- Wide ambient temperature range
- Material categorization: For definitions of compliance please see [www.vishay.com/doc?99912](http://www.vishay.com/doc?99912)



RoHS  
COMPLIANT

## DESCRIPTION

The TCMT111X series consist of a phototransistor optically coupled to a gallium arsenide infrared-emitting diode in a 4 pin package.

The elements are mounted on one leadframe providing a fixed distance between input and output for highest safety requirements.

## AGENCY APPROVALS

- UL1577, file no. E76222 system code M
- cUL CSA22.2 bulletin 5A
- DIN EN 60747-5-2 (VDE 0884)
- BSI EN 60065:2002, EN 60950:2000 certificate 8986/8987

## APPLICATIONS

- Programmable logic controllers
- Modems
- Answering machines
- General applications

| ORDERING INFORMATION   |           |          |           |            |            |           |            |           |            |            |
|--|-----------|----------|-----------|------------|------------|-----------|------------|-----------|------------|------------|
| <div style="display: flex; justify-content: space-around; align-items: center;"> <div style="text-align: center;"> <div style="border: 1px solid black; padding: 2px 5px;">T</div> <div style="border: 1px solid black; padding: 2px 5px;">C</div> <div style="border: 1px solid black; padding: 2px 5px;">M</div> <div style="border: 1px solid black; padding: 2px 5px;">T</div> <div style="border: 1px solid black; padding: 2px 5px;">1</div> <div style="border: 1px solid black; padding: 2px 5px;">1</div> <div style="border: 1px solid black; padding: 2px 5px;">1</div> <div style="border: 1px solid black; padding: 2px 5px;">#</div> </div> <div style="margin-left: 20px;"> </div> </div> <p style="text-align: center; margin-top: 5px;">PART NUMBER</p> |           |          |           |            |            |           |            |           |            |            |
| AGENCY CERTIFIED/<br>PACKAGE   | CTR (%)   |          |           |            |            |           |            |           |            |            |
|  | 5 mA      | 10 mA    |           |            |            | 5 mA      |            |           |            |            |
| UL, cUL, BSI, VDE  | 50 to 600 | 40 to 80 | 63 to 125 | 100 to 200 | 160 to 320 | 50 to 150 | 100 to 300 | 80 to 160 | 130 to 260 | 200 to 400 |
| SOP-4  | TCMT1110  | TCMT1111 | TCMT1112  | TCMT1113   | TCMT1114   | TCMT1115  | TCMT1116   | TCMT1117  | TCMT1118   | TCMT1119   |

| ABSOLUTE MAXIMUM RATINGS (T <sub>amb</sub> = 25 °C, unless otherwise specified) |                        |                   |       |      |
|---|------------------------|-------------------|-------|------|
| PARAMETER   | TEST CONDITION         | SYMBOL            | VALUE | UNIT |
| <b>INPUT</b>  |                        |                   |       |      |
| Reverse voltage   |                        | V <sub>R</sub>    | 6     | V    |
| Forward current   |                        | I <sub>F</sub>    | 50    | mA   |
| Forward surge current   | t <sub>p</sub> ≤ 10 μs | I <sub>FSM</sub>  | 1.5   | A    |
| Power dissipation   |                        | P <sub>diss</sub> | 80    | mW   |
| Junction temperature  |                        | T <sub>j</sub>    | 125   | °C   |



| <b>ABSOLUTE MAXIMUM RATINGS</b> ( $T_{amb} = 25\text{ }^{\circ}\text{C}$ , unless otherwise specified) |  |            |               |                    |
|--|--|------------|---------------|--------------------|
| PARAMETER  | TEST CONDITION                                 | SYMBOL     | VALUE         | UNIT               |
| <b>OUTPUT</b>  |  |            |               |                    |
| Collector emitter voltage  |  | $V_{CEO}$  | 70            | V                  |
| Emitter collector voltage  |  | $V_{ECO}$  | 7             | V                  |
| Collector current  |  | $I_C$      | 50            | mA                 |
| Collector peak current   | $t_p/T = 0.5, t_p \leq 10\text{ ms}$           | $I_{CM}$   | 100           | mA                 |
| Power dissipation  |  | $P_{diss}$ | 150           | mW                 |
| Junction temperature   |  | $T_j$      | 125           | $^{\circ}\text{C}$ |
| <b>COUPLER</b>   |  |            |               |                    |
| AC isolation test voltage (RMS)  | Related to standard climate 23/50<br>DIN 50014 | $V_{ISO}$  | 3750          | $V_{RMS}$          |
| Total power dissipation  |  | $P_{tot}$  | 230           | mW                 |
| Operating ambient temperature range  |  | $T_{amb}$  | - 40 to + 110 | $^{\circ}\text{C}$ |
| Storage temperature range  |  | $T_{stg}$  | - 40 to + 125 | $^{\circ}\text{C}$ |
| Soldering temperature <sup>(1)</sup>   |  | $T_{sld}$  | 260           | $^{\circ}\text{C}$ |

**Notes**

- Stresses in excess of the absolute maximum ratings can cause permanent damage to the device. Functional operation of the device is not implied at these or any other conditions in excess of those given in the operational sections of this document. Exposure to absolute maximum ratings for extended periods of the time can adversely affect reliability.
- <sup>(1)</sup> Wave soldering three cycles are allowed. Also refer to "Assembly Instructions" ([www.vishay.com/doc?80054](http://www.vishay.com/doc?80054)).

| <b>ELECTRICAL CHARACTERISTICS</b> ( $T_{amb} = 25\text{ }^{\circ}\text{C}$ , unless otherwise specified) |   |             |      |      |      |      |
|--|---|-------------|------|------|------|------|
| PARAMETER  | TEST CONDITION  | SYMBOL      | MIN. | TYP. | MAX. | UNIT |
| <b>INPUT</b>   |   |             |      |      |      |      |
| Forward voltage  | $I_F = 5\text{ mA}$   | $V_F$       |      | 1.15 | 1.4  | V    |
| Junction capacitance   | $V_R = 0, f = 1\text{ MHz}$   | $C_j$       |      | 50   |      | pF   |
| <b>OUTPUT</b>  |   |             |      |      |      |      |
| Collector emitter voltage  | $I_C = 100\text{ }\mu\text{A}$  | $V_{CEO}$   | 70   |      |      | V    |
| Emitter collector voltage  | $I_E = 100\text{ }\mu\text{A}$  | $V_{ECO}$   | 7    |      |      | V    |
| Collector dark current   | $V_{CE} = 20\text{ V}, I_F = 0$   | $I_{CEO}$   |      |      | 100  | nA   |
| <b>COUPLER</b>   |   |             |      |      |      |      |
| Collector emitter saturation voltage   | $I_F = 10\text{ mA}, I_C = 1\text{ mA}$                                 | $V_{CESat}$ |      | 0.1  | 0.3  | V    |
| Cut-off frequency  | $V_{CE} = 5\text{ V}, I_F = 10\text{ mA},$<br>$R_L = 100\text{ }\Omega$ | $f_c$       |      | 100  |      | kHz  |
| Coupling capacitance   | $f = 1\text{ MHz}$  | $C_k$       |      | 0.3  |      | pF   |

**Note**

- Minimum and maximum values are testing requirements. Typical values are characteristics of the device and are the result of engineering evaluation. Typical values are for information only and are not part of the testing requirements.

| <b>CURRENT TRANSFER RATIO</b> ( $T_{amb} = 25\text{ }^{\circ}\text{C}$ , unless otherwise specified) |   |          |        |      |      |      |      |
|--|---|----------|--------|------|------|------|------|
| PARAMETER  | TEST CONDITION                            | PART     | SYMBOL | MIN. | TYP. | MAX. | UNIT |
| $I_C/I_F$  | $V_{CE} = 5\text{ V}, I_F = 5\text{ mA}$  | TCMT1110 | CTR    | 50   |      | 600  | %    |
|  | $V_{CE} = 5\text{ V}, I_F = 10\text{ mA}$ | TCMT1111 | CTR    | 40   |      | 80   | %    |
|  |   | TCMT1112 | CTR    | 63   |      | 125  | %    |
|  |   | TCMT1113 | CTR    | 100  |      | 200  | %    |
|  |   | TCMT1114 | CTR    | 160  |      | 320  | %    |
|  | $V_{CE} = 5\text{ V}, I_F = 5\text{ mA}$  | TCMT1115 | CTR    | 50   |      | 150  | %    |
|  |   | TCMT1116 | CTR    | 100  |      | 300  | %    |
|  |   | TCMT1117 | CTR    | 80   |      | 160  | %    |
|  |   | TCMT1118 | CTR    | 130  |      | 260  | %    |
|  |   | TCMT1119 | CTR    | 200  |      | 400  | %    |

| SWITCHING CHARACTERISTICS ( $T_{amb} = 25\text{ }^{\circ}\text{C}$ , unless otherwise specified) |   |           |      |      |      |               |
|--|---|-----------|------|------|------|---------------|
| PARAMETER  | TEST CONDITION  | SYMBOL    | MIN. | TYP. | MAX. | UNIT          |
| Delay time   | $V_S = 5\text{ V}$ , $I_C = 2\text{ mA}$ , $R_L = 100\ \Omega$ , (see figure 1)       | $t_d$     |      | 3    |      | $\mu\text{s}$ |
| Rise time  | $V_S = 5\text{ V}$ , $I_C = 2\text{ mA}$ , $R_L = 100\ \Omega$ , (see figure 1)       | $t_r$     |      | 3    |      | $\mu\text{s}$ |
| Fall time  | $V_S = 5\text{ V}$ , $I_C = 2\text{ mA}$ , $R_L = 100\ \Omega$ , (see figure 1)       | $t_f$     |      | 4    |      | $\mu\text{s}$ |
| Storage time   | $V_S = 5\text{ V}$ , $I_C = 2\text{ mA}$ , $R_L = 100\ \Omega$ , (see figure 1)       | $t_s$     |      | 0    |      | $\mu\text{s}$ |
| Turn-on time   | $V_S = 5\text{ V}$ , $I_C = 2\text{ mA}$ , $R_L = 100\ \Omega$ , (see figure 1)       | $t_{on}$  |      | 5    |      | $\mu\text{s}$ |
| Turn-off time  | $V_S = 5\text{ V}$ , $I_C = 2\text{ mA}$ , $R_L = 100\ \Omega$ , (see figure 1)       | $t_{off}$ |      | 3    |      | $\mu\text{s}$ |
| Turn-on time   | $V_S = 5\text{ V}$ , $I_F = 10\text{ mA}$ , $R_L = 1\text{ k}\Omega$ , (see figure 2) | $t_{on}$  |      | 9    |      | $\mu\text{s}$ |
| Turn-off time  | $V_S = 5\text{ V}$ , $I_F = 10\text{ mA}$ , $R_L = 1\text{ k}\Omega$ , (see figure 2) | $t_{off}$ |      | 18   |      | $\mu\text{s}$ |

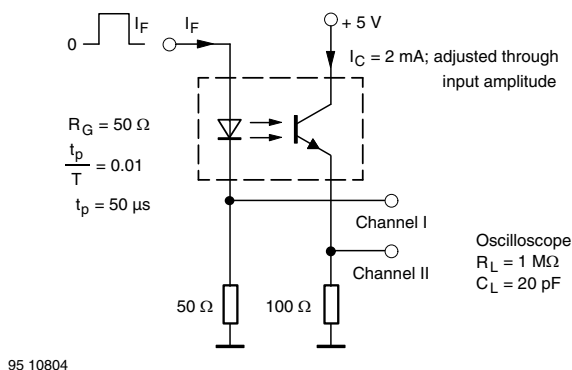


Fig. 1 - Test Circuit, Non-Saturated Operation

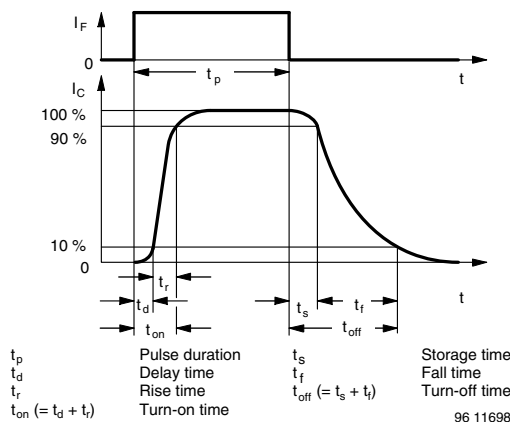


Fig. 3 - Switching Times

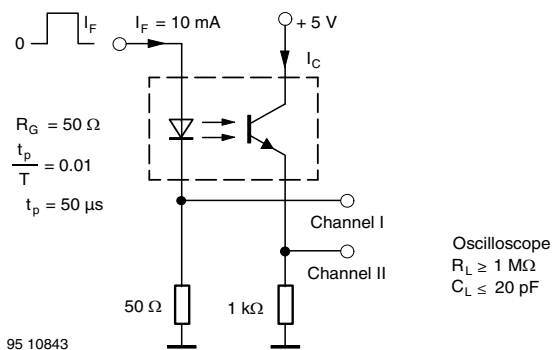


Fig. 2 - Test Circuit, Saturated Operation



| SAFETY AND INSULATION RATINGS          |                        |            |      |           |      |      |
|--|------------------------|------------|------|-----------|------|------|
| PARAMETER                              | TEST CONDITION         | SYMBOL     | MIN. | TYP.      | MAX. | UNIT |
| Climatic classification                | IEC 68 part 1          |            |      | 40/110/21 |      |      |
| Comparative tracking index             |                        | CTI        | 175  |           | 399  |      |
| Peak transient overvoltage             |                        | $V_{IOTM}$ | 6000 |           |      | V    |
| Peak insulation voltage                |                        | $V_{IORM}$ | 707  |           |      | V    |
| Safety rating - power output           |                        | $P_{SO}$   |      |           | 265  | mW   |
| Safety rating - input current          |                        | $I_{SI}$   |      |           | 130  | mA   |
| Safety rating - temperature            |                        | $T_{SI}$   |      |           | 150  | °C   |
| Creepage distance                      |                        |            | 5    |           |      | mm   |
| Clearance distance                     |                        |            | 5    |           |      | mm   |
| Insulation thickness, reinforced rated | per IEC 60950 2.10.5.1 |            | 0.4  |           |      | mm   |

**Note**

- As per IEC 60747-5-2, §7.4.3.8.1, this optocoupler is suitable for “safe electrical insulation” only within the safety ratings. Compliance with the safety ratings shall be ensured by means of protective circuits.

**TYPICAL CHARACTERISTICS** ( $T_{amb} = 25\text{ °C}$ , unless otherwise specified)

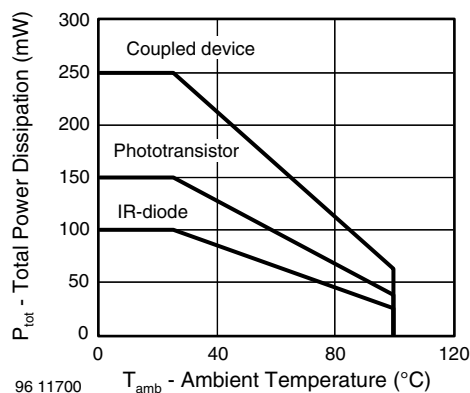


Fig. 4 - Total Power Dissipation vs. Ambient Temperature

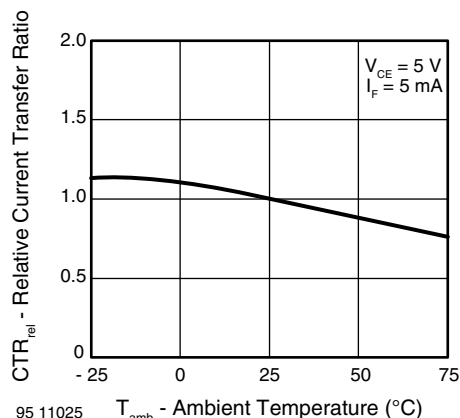


Fig. 6 - Relative Current Transfer Ratio vs. Ambient Temperature

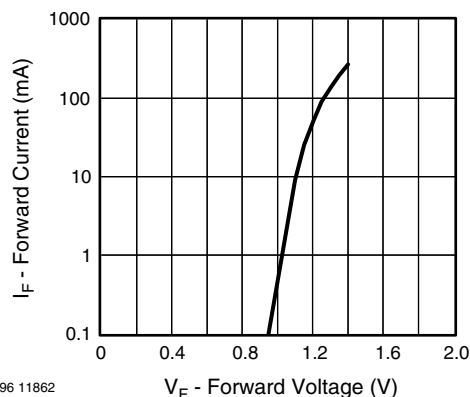


Fig. 5 - Forward Current vs. Forward Voltage

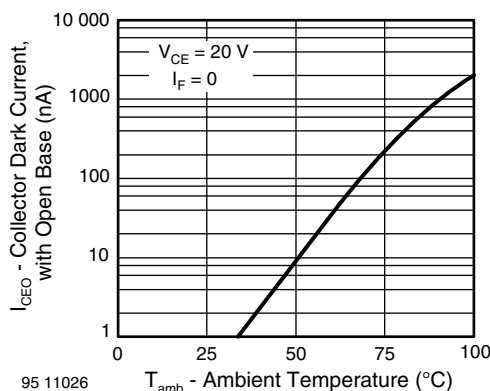


Fig. 7 - Collector Dark Current vs. Ambient Temperature

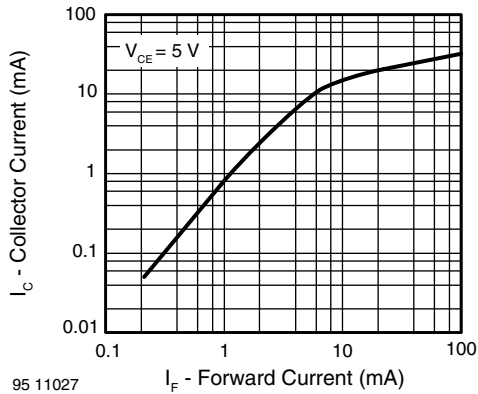


Fig. 8 - Collector Current vs. Forward Current

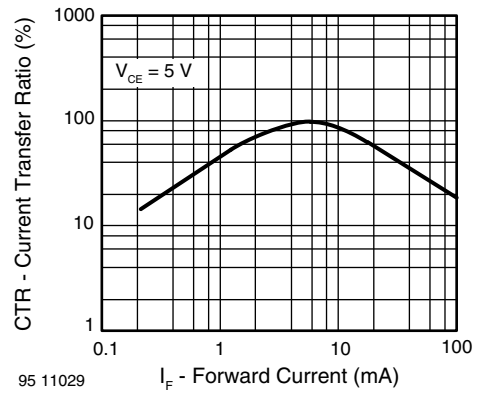


Fig. 11 - Current Transfer Ratio vs. Forward Current

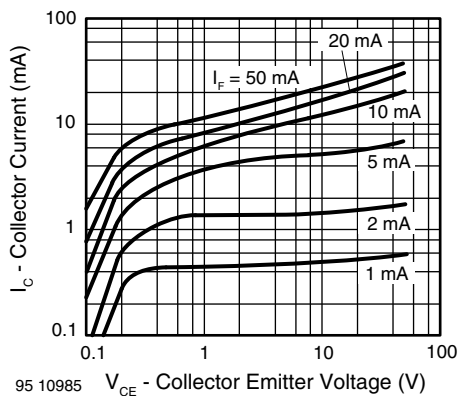


Fig. 9 - Collector Current vs. Collector Emitter Voltage

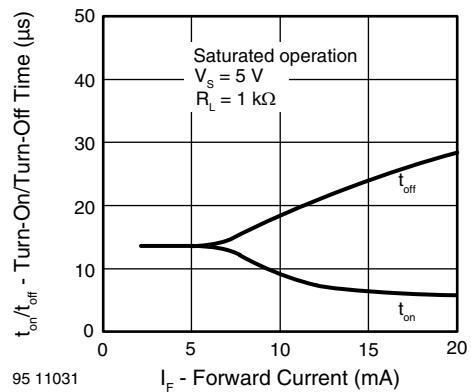


Fig. 12 - Turn-on/off Time vs. Forward Current

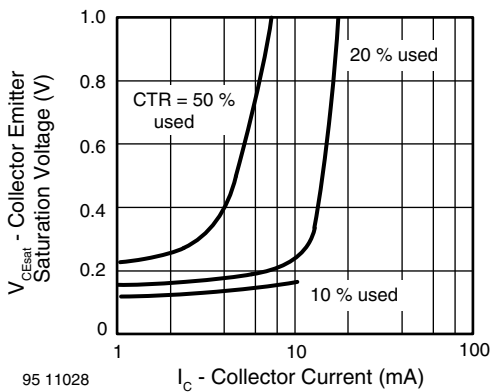


Fig. 10 - Collector Emitter Saturation Voltage vs. Collector Current

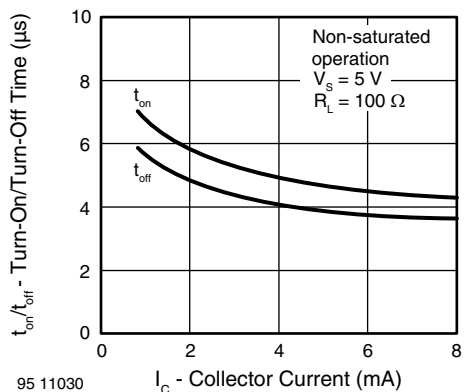
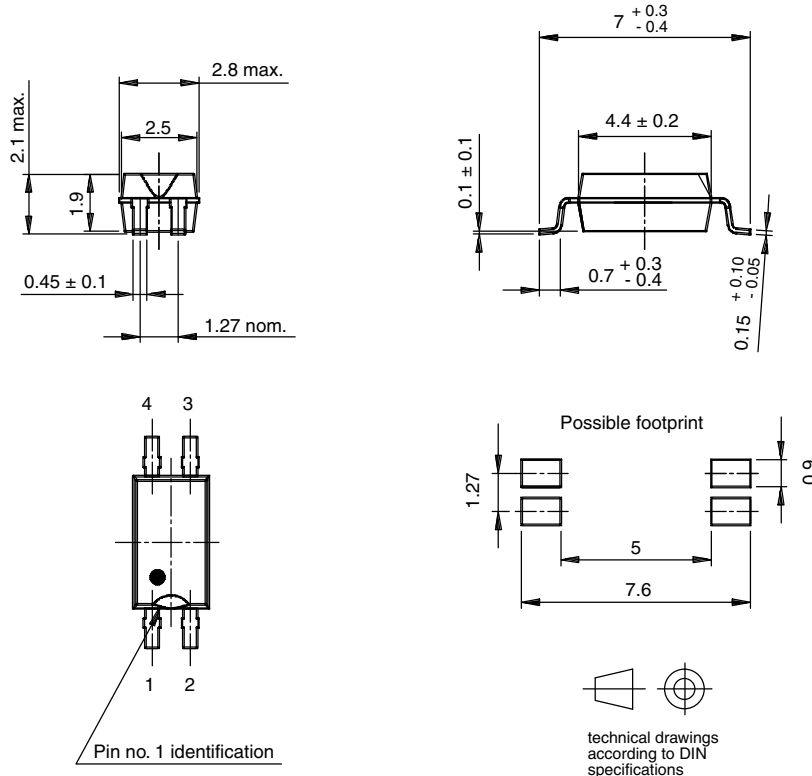


Fig. 13 - Turn-on/off Time vs. Collector Current

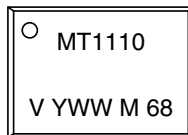


PACKAGE DIMENSIONS in millimeters



16283

PACKAGE MARKING (example of TCMT1110)





## Disclaimer

ALL PRODUCT, PRODUCT SPECIFICATIONS AND DATA ARE SUBJECT TO CHANGE WITHOUT NOTICE TO IMPROVE RELIABILITY, FUNCTION OR DESIGN OR OTHERWISE.

Vishay Intertechnology, Inc., its affiliates, agents, and employees, and all persons acting on its or their behalf (collectively, "Vishay"), disclaim any and all liability for any errors, inaccuracies or incompleteness contained in any datasheet or in any other disclosure relating to any product.

Vishay makes no warranty, representation or guarantee regarding the suitability of the products for any particular purpose or the continuing production of any product. To the maximum extent permitted by applicable law, Vishay disclaims (i) any and all liability arising out of the application or use of any product, (ii) any and all liability, including without limitation special, consequential or incidental damages, and (iii) any and all implied warranties, including warranties of fitness for particular purpose, non-infringement and merchantability.

Statements regarding the suitability of products for certain types of applications are based on Vishay's knowledge of typical requirements that are often placed on Vishay products in generic applications. Such statements are not binding statements about the suitability of products for a particular application. It is the customer's responsibility to validate that a particular product with the properties described in the product specification is suitable for use in a particular application. Parameters provided in datasheets and/or specifications may vary in different applications and performance may vary over time. All operating parameters, including typical parameters, must be validated for each customer application by the customer's technical experts. Product specifications do not expand or otherwise modify Vishay's terms and conditions of purchase, including but not limited to the warranty expressed therein.

Except as expressly indicated in writing, Vishay products are not designed for use in medical, life-saving, or life-sustaining applications or for any other application in which the failure of the Vishay product could result in personal injury or death. Customers using or selling Vishay products not expressly indicated for use in such applications do so at their own risk. Please contact authorized Vishay personnel to obtain written terms and conditions regarding products designed for such applications.

No license, express or implied, by estoppel or otherwise, to any intellectual property rights is granted by this document or by any conduct of Vishay. Product names and markings noted herein may be trademarks of their respective owners.

## Material Category Policy

**Vishay Intertechnology, Inc. hereby certifies that all its products that are identified as RoHS-Compliant fulfill the definitions and restrictions defined under Directive 2011/65/EU of The European Parliament and of the Council of June 8, 2011 on the restriction of the use of certain hazardous substances in electrical and electronic equipment (EEE) - recast, unless otherwise specified as non-compliant.**

**Please note that some Vishay documentation may still make reference to RoHS Directive 2002/95/EC. We confirm that all the products identified as being compliant to Directive 2002/95/EC conform to Directive 2011/65/EU.**

**Vishay Intertechnology, Inc. hereby certifies that all its products that are identified as Halogen-Free follow Halogen-Free requirements as per JEDEC JS709A standards. Please note that some Vishay documentation may still make reference to the IEC 61249-2-21 definition. We confirm that all the products identified as being compliant to IEC 61249-2-21 conform to JEDEC JS709A standards.**