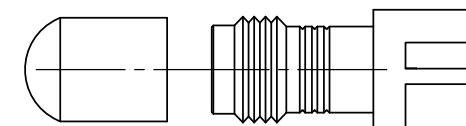
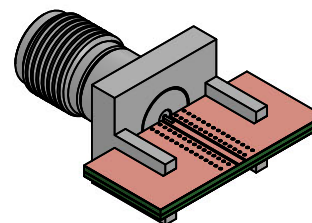
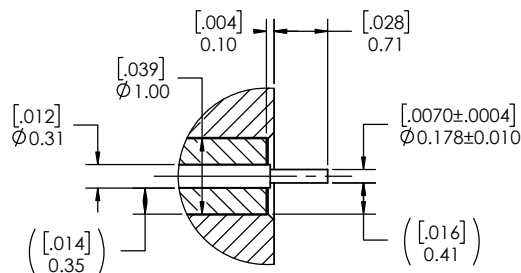
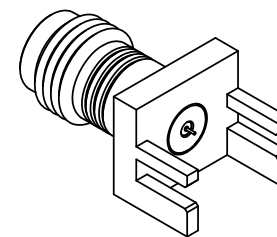
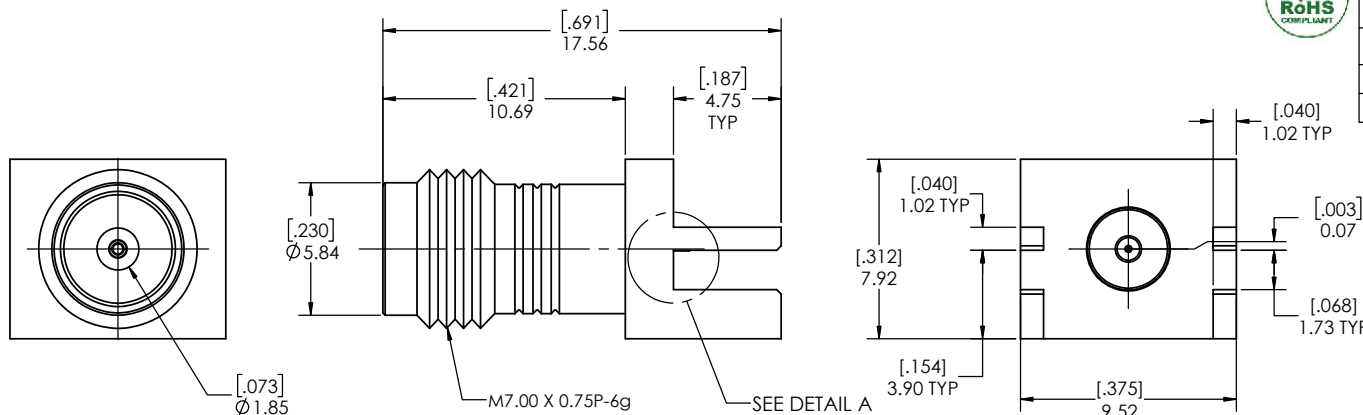




REVISIONS			
REV.	DESCRIPTION	DATE	APPROVED
-	INITIAL RELEASE	07/24/2018	MM
1	UPDATED PART NUMBER AND COLOR	10/26/2018	DL
2	ADDED SHEET 2 PCB DEFINITION	2/20/2019	PV
3	ADDED SECTION VIEW	3/12/2019	PV



PROTECTION CAP

- NOTE(S):
- These characteristics are typical and for reference.
 - DYH: 59-20010-12070
 - See sheet 2 for PCB interface definition.

DETAIL A
SCALE 20:1

MATERIAL(S):	ELECTRICAL(S):	MECHANICAL(S):	ENVIRONMENTAL(S):
Body: Brass Center Conductor: Beryllium Copper Insulator: Insulator1: PCTFE, white Insulator 2: PTFE, white RoHS Compliant Protective Cap: Soft PVC Color: Green	Impedance: 50 Ohms Nominal Frequency Range: DC to 65 GHz VSWR: 1.3:1 max at 65 GHz Working Voltage: 400 Vrms max @ Sea Level Dielectric Withstand Voltage: 500 Vrms max. Insulation Resistance: 5000 Megohms min. Contact Resistance: Initial: Center Contact: 1.5 Milliohms max Outer Contact: 0.8 Milliohms max	Mating Characteristics: Interface per MIL-STD-348 Force to Engage & Disengage: Torque: 2 inch-pounds max Longitudinal Force: NA Connector Durability: 500 Cycles min. Permeability: Less than 2.0 mu. Center Contact Retention: Axial Force: 6 pounds min. Radial Force: NA	Temperature Range: -65°C to +165°C Moisture Resistance: MIL-STD-202, Method 103, Test Condition B Corrosion: MIL-STD-202, Method 101, Test Condition B Vibration: MIL-STD-202, Method 204, Test Condition A Shock: MIL-STD-202, Method 213, Test Condition 1

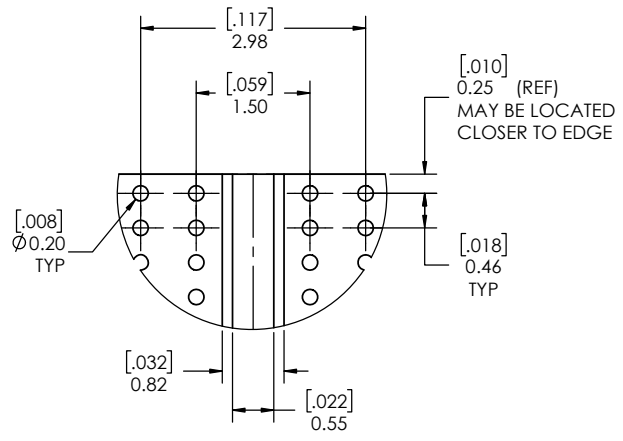
FINISH(ES):	APPLICABLE CARLISLE IT DOCUMENTS			TOLERANCES AND NOTES	APPROVAL	INITIALS	DATE	DRAWING NO.
	WORK STANDARD	PROD INSTRUC	ASSY INSTRUC					
Body: Gold Plating Center Conductor: Gold Plating	NA	NA	NA	EXCEPT AS NOTED THIRD ANGLE PROJECTION SCALE 8:1 DIMENSIONS ARE IN [INCHES] MM ANGLES $\pm 2^\circ$.XX DECIMALS $\pm .063$.XXX DECIMALS $\pm .01$	DRAWN BY: MM CHECKED BY: KM DESIGN ENG APPR BY:	07.24.18 07.24.18	 Dongguan City, Guangdong P.R. China 523533 TITLE: 1.85mm STRAIGHT JACK, EDGE MOUNT (MANUAL SOLDER) SCALE: 8:1 SUB-DIRECTORY/OUTLINE/ SHEET 1 OF 2 SIZE: C DRAWING NO. TMB-E8FS-1S1	REV. 2

4

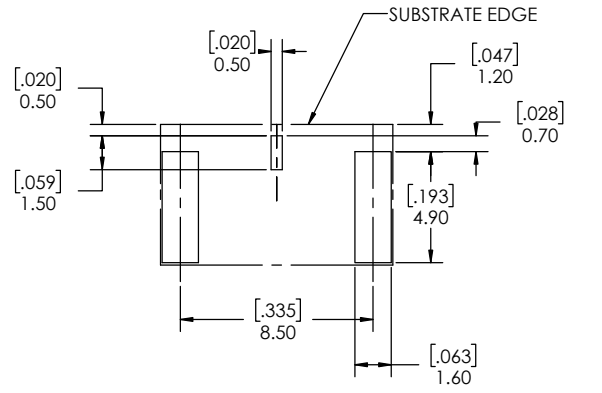
3

2

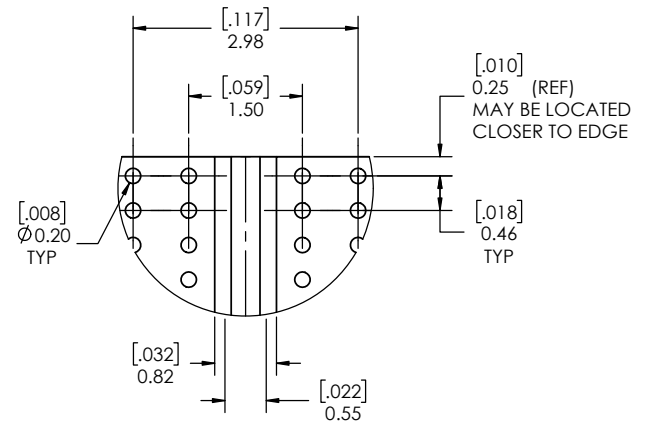
1



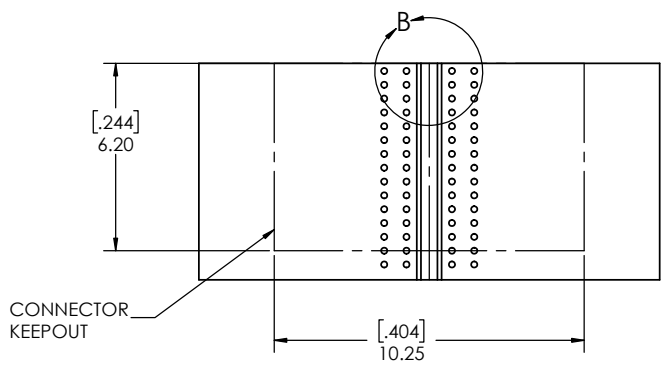
DETAIL B
SCALE 20 : 1



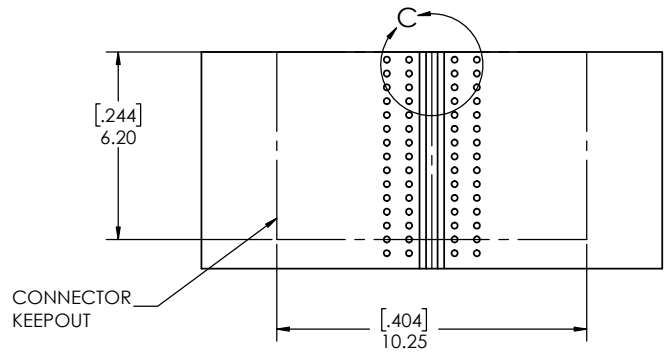
SOLDER PASTE STENCIL
SCALE 6:1



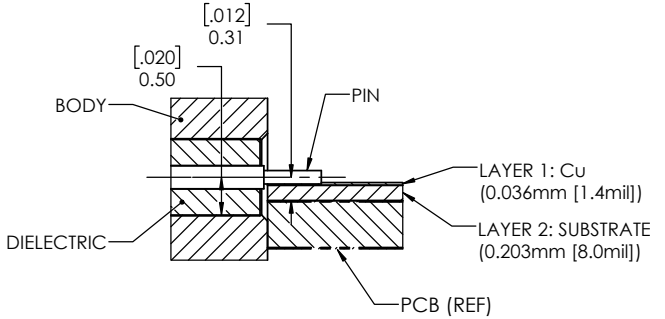
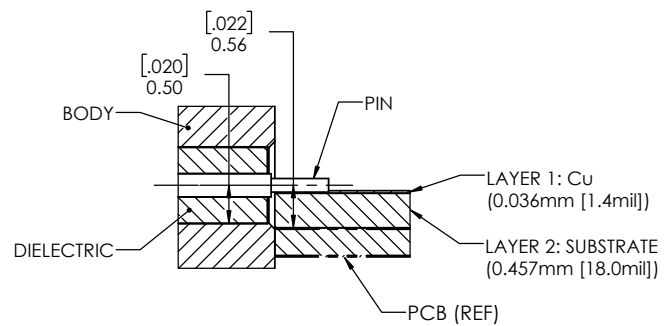
DETAIL C
SCALE 20 : 1



PCB LAYOUT OPTION 1
0.457mm [18.0mil] THICK SUBSTRATE (LAYER 2)



PCB LAYOUT OPTION 2
0.203mm [8.0mil] THICK SUBSTRATE (LAYER 2)



PCB LAYOUT
(FOR REFERENCE ONLY)

SCALE 8:1	SUB-DIRECTORY/	SHEET 2 OF 2
SIZE C	CAGE CODE	DRAWING NO. TMB-E8FS-1S1
		REV. 3

4

3

2

1