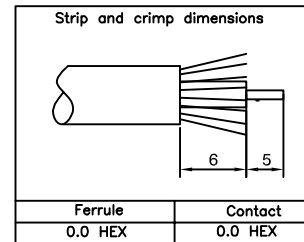
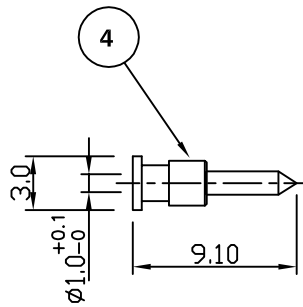
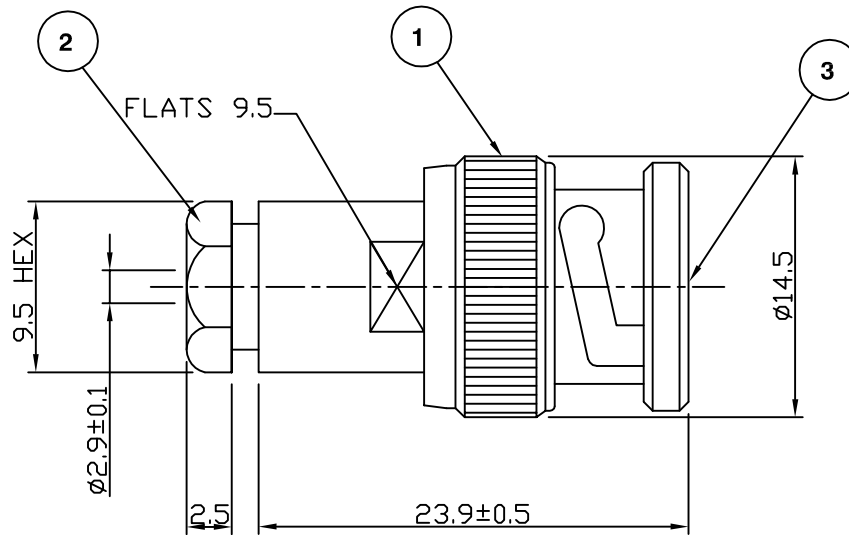


RoHS COMPLIANT



Electrical Characteristics

Nominal Impedance:	75 ohms
Frequency Range:	DC to 1 GHz
VSWR:	1.3:1 maximum
Insertion Loss:	0.2 dB at 1 GHz
Operating Voltage (rms):	500 V maximum at sea level
Dielectric Withstand Voltage (rms):	1500 V maximum at sea level
Contact Resistance:	1.5 milliohms maximum
Insulation Resistance:	5000 megohms minimum

Mechanical Characteristics

Mating Cycles:	500 cycles minimum
Interface Dimensions:	Conform to MIL-C-39012

Environmental Characteristics

Temperature Range:	-65 °C to +165 °C
--------------------	-------------------

PART	DESCRIPTION
1	Body Brass, nickel plated 1.78 μm
2	Clamp Nut Brass, nickel plated 1.78 μm
3	Dielectric PTFE
4	Contact Brass, gold plated 0.076 μm - 0.127 μm
5	Gasket Rubber

DESCRIPTION OF REVISION	APPVD	ISS	DATE
Altered address	KA	4	17 Aug 07
CAD Issue	SN	3	28 Jan 02
Up Issue	AT	2	08 June 00
First Issue	AT	1	04 Jan 95

For stripping and assembly instructions see Drawing Number: VAIB1201



Cinch Connectivity Solutions :
7-13 Russel Way,
Widford Industrial Estate,
Chelmsford, Essex,
CM1 3AA, UK.
Tel: +44 (0) 1245 359515
Fax: +44 (0) 1245 358938

SCALE: Not To Scale

DIMENSIONS: mm

TOLERANCES:
± 0.2mm unless
otherwise stated

DRAWN BY:	S Nash
CHECKED BY:	S Nash
APPROVED BY:	M Nielsen
DATE:	28 Jan 02

TITLE:
BNC Clamp Plug for RG179

PART NUMBER:
VBS10-2061

PAGE: 1 of 1