

SPECIFICATIONS:

1. MATERIAL:

- (1). BLOCK: STEEL.
- (2). SCREW: STEEL.
- (3). BODY: NYLON 66 (PA 66).
- (4). CAM: STAINLESS STEEL
- (5). COVER: NYLON 66 (PA 66).
- (6). TERMINAL: PHOSPHOR BRONZE.
- (7). MOUNTING SCREW: STEEL.

2. PRODUCT SPECIFICATION: PS-39500-001.

3. WIRE RANGE: 30 - 12AWG.

4. WIRE STRIP LENGTH: 5.08/.200.

5. TORQUE: 5 in-lbs.

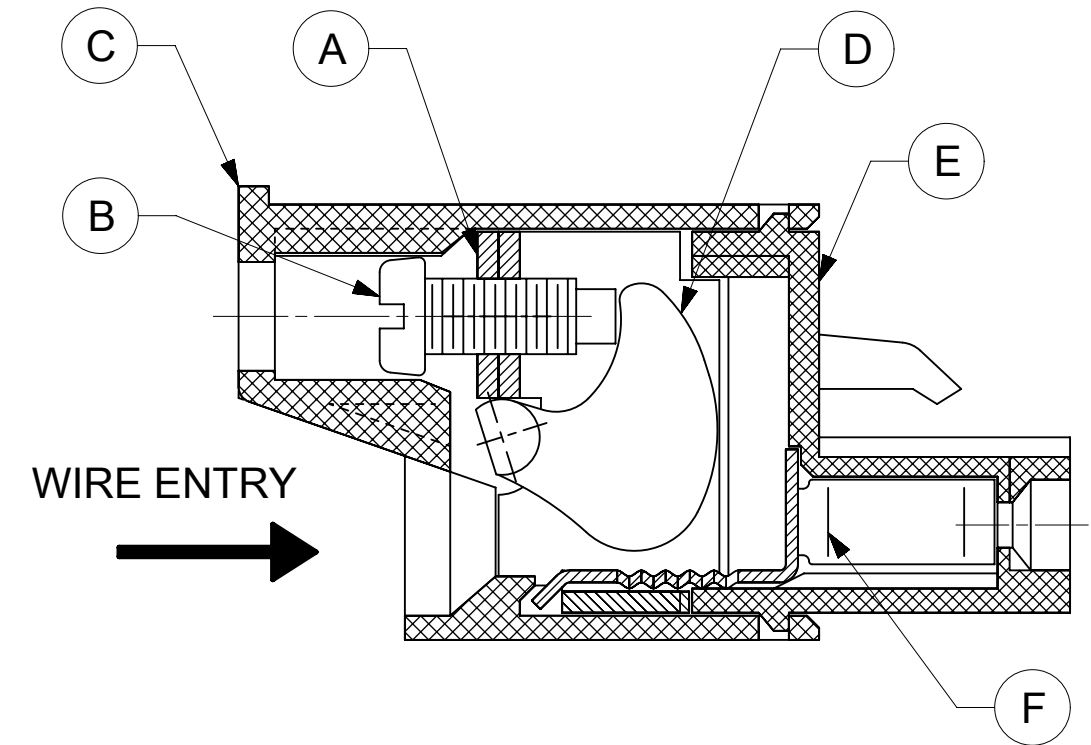
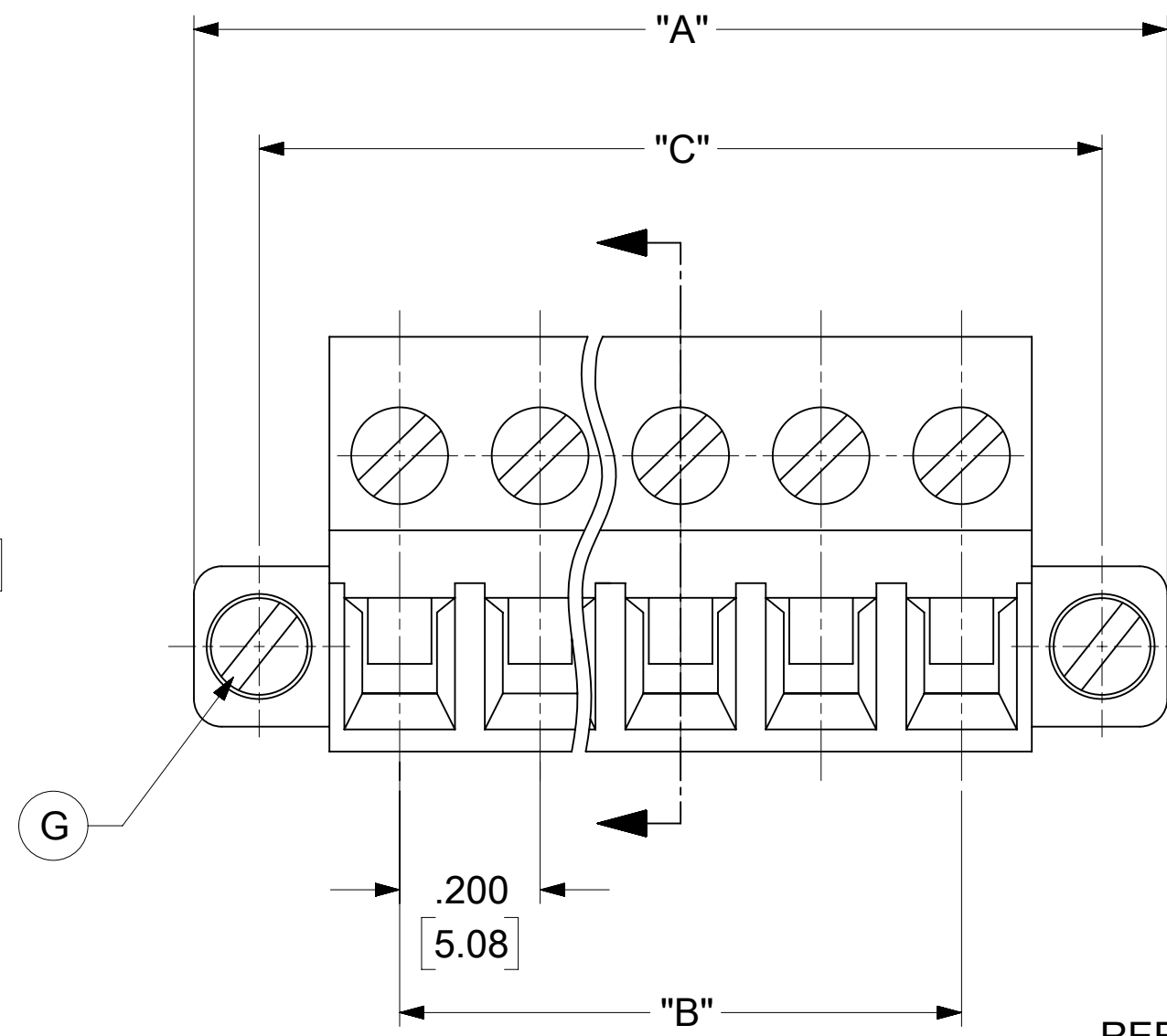
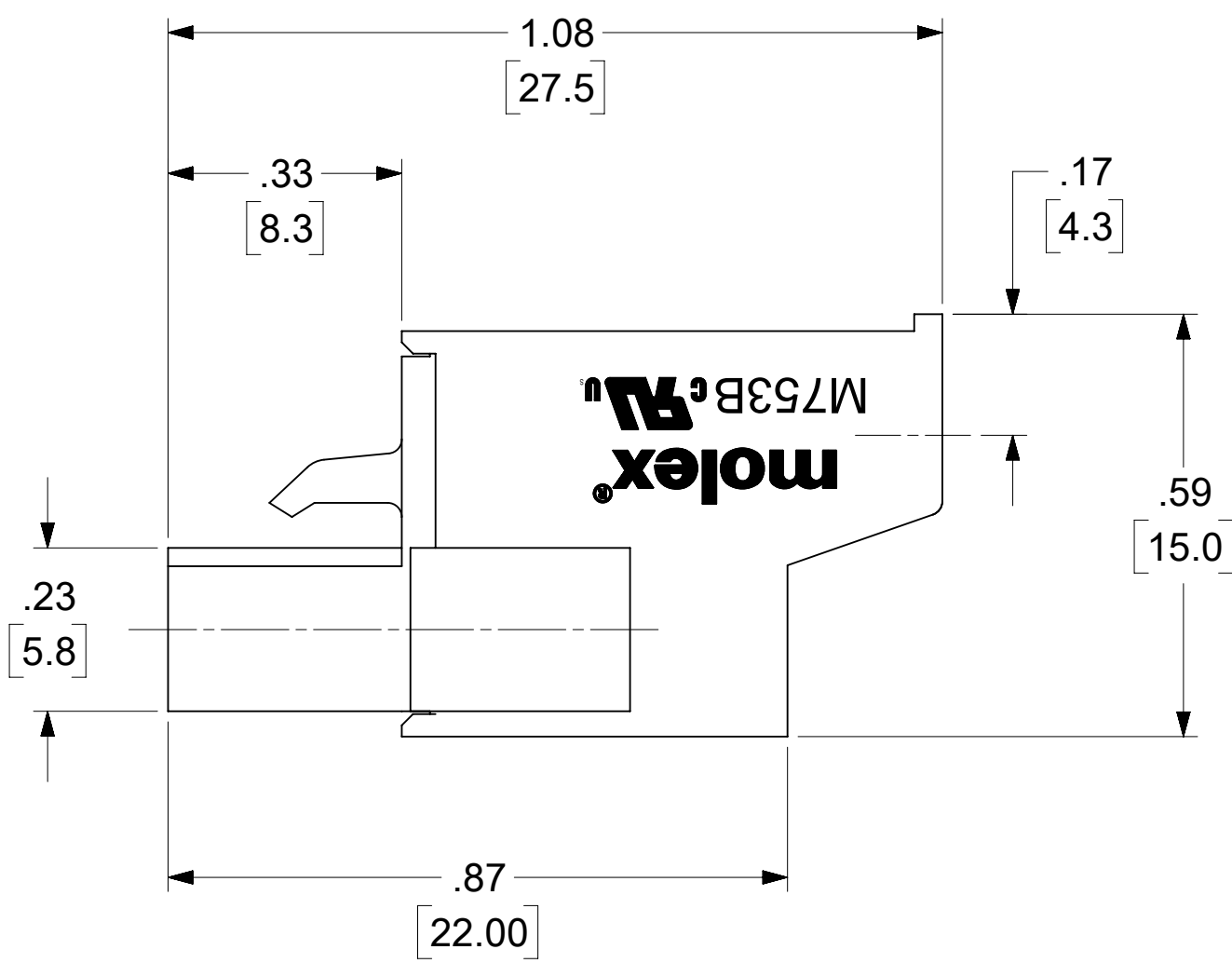
6. NUMBER OF CIRCUIT POSITIONS AVAILABLE = 2 THROUGH 24.

7. ASSEMBLY IS ROHS COMPLIANT.

| | | | | | | | | |
|--|----------------------|--|---|-----------------|--------------|--------------|---|--|
| INITIAL RELEASE EC NO: WNAZ009-0853 DRAWN BY: C. YORK 2009/06/19 CHKD: RDEROSS 2009/06/23 APPR: RDEROSS 2009/06/23 | DESCRIPTION REV A | QUALITY SYMBOLS | GENERAL TOLERANCES (UNLESS SPECIFIED) | DIMENSION STYLE | SCALE | DESIGN UNITS | THIRD ANGLE PROJECTION | |
| | | ▼=0 ▽=0 | mm INCH 4 PLACES ± --- ± --- 3 PLACES ± --- ± .005 2 PLACES ± 0.13 ± .01 1 PLACE ± 0.3 ± --- ANGULAR ± 2 ° | MM/IN | 3:1 | INCH | DRAWN BY: C. YORK DATE: 2009/06/19 CHECKED BY: R. DEROSS DATE: 2009/06/19 APPROVED BY: R. DEROSS DATE: 2009/06/19 | TITLE: 5.08/.200 EURO PLUG, SAME SIDE WIRE ENTRY & SCREWS W/ MOUNTING ENDS MOLEX INCORPORATED |
| | | DRAFT WHERE APPLICABLE MUST REMAIN WITHIN DIMENSIONS | SEE CHART | MATERIAL NO. | DOCUMENT NO. | SHEET NO. | | |
| | | SIZE B | THIS DRAWING CONTAINS INFORMATION THAT IS PROPRIETARY TO MOLEX INCORPORATED AND SHOULD NOT BE USED WITHOUT WRITTEN PERMISSION | | SD-39534-002 | 1 OF 2 | | |

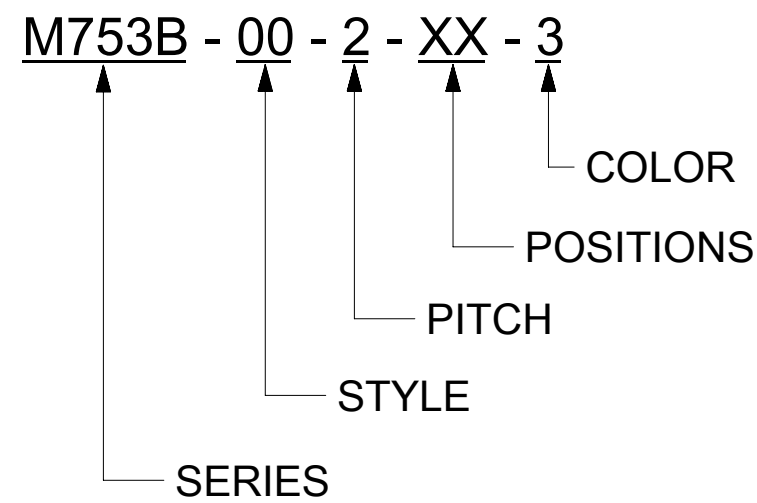
| CIRCUIT SIZE | MATERIAL NO. | Dimensional Information | | | | | | |
|--------------|--------------|-------------------------|----------|--------|----------|--------|----------|----|
| | | Black | DIM. "A" | | DIM. "B" | | DIM. "C" | |
| | | 100% Tin | mm | in | mm | in | mm | in |
| 02 | 395341002 | 20.0 | .79 | 5.08 | .200 | 15.24 | .600 | |
| 03 | 395341003 | 25.0 | .99 | 10.16 | .400 | 20.32 | .800 | |
| 04 | 395341004 | 30.1 | 1.19 | 15.24 | .600 | 25.40 | 1.000 | |
| 05 | 395341005 | 35.2 | 1.39 | 20.32 | .800 | 30.48 | 1.200 | |
| 06 | 395341006 | 40.3 | 1.59 | 25.40 | 1.000 | 35.56 | 1.400 | |
| 07 | 395341007 | 45.4 | 1.79 | 30.48 | 1.200 | 40.64 | 1.600 | |
| 08 | 395341008 | 50.4 | 1.99 | 35.56 | 1.400 | 45.72 | 1.800 | |
| 09 | 395341009 | 55.5 | 2.19 | 40.64 | 1.600 | 50.80 | 2.000 | |
| 10 | 395341010 | 60.6 | 2.39 | 45.72 | 1.800 | 55.88 | 2.200 | |
| 11 | 395341011 | 65.7 | 2.59 | 50.80 | 2.000 | 60.96 | 2.400 | |
| 12 | 395341012 | 70.8 | 2.79 | 55.88 | 2.200 | 66.04 | 2.600 | |
| 13 | 395341013 | 75.8 | 2.99 | 60.96 | 2.400 | 71.12 | 2.800 | |
| 14 | 395341014 | 80.9 | 3.19 | 66.04 | 2.600 | 76.20 | 3.000 | |
| 15 | 395341015 | 86.0 | 3.39 | 71.12 | 2.800 | 81.28 | 3.200 | |
| 16 | 395341016 | 91.1 | 3.59 | 76.20 | 3.000 | 86.36 | 3.400 | |
| 17 | 395341017 | 96.2 | 3.79 | 81.28 | 3.200 | 91.44 | 3.600 | |
| 18 | 395341018 | 101.2 | 3.99 | 86.36 | 3.400 | 96.52 | 3.800 | |
| 19 | 395341019 | 106.3 | 4.19 | 91.44 | 3.600 | 101.60 | 4.000 | |
| 20 | 395341020 | 111.4 | 4.39 | 96.52 | 3.800 | 106.68 | 4.200 | |
| 21 | 395341021 | 116.5 | 4.59 | 101.60 | 4.000 | 111.76 | 4.400 | |
| 22 | 395341022 | 121.6 | 4.79 | 106.68 | 4.200 | 116.84 | 4.800 | |
| 23 | 395341023 | 126.6 | 4.99 | 111.76 | 4.400 | 121.92 | 4.800 | |
| 24 | 395341024 | 131.7 | 5.19 | 116.84 | 4.600 | 127.00 | 5.000 | |

| | | | | | | | | | |
|--|--------------------------------|---------------------------------------|--|--------------------------|------------------------------------|----------------------|---|---|--|
| SEE SHEET ONE EC NO: WNA2009-0853 DRAWN BY: C. YORK 2009/06/19 CHKD: RDEROSS 2009/06/23 APPR: RDEROSS 2009/06/23 | QUALITY SYMBOLS ▽=0 ▽7=0 | GENERAL TOLERANCES (UNLESS SPECIFIED) | | DIMENSION STYLE MM/IN | SCALE --- | DESIGN UNITS INCH | THIRD ANGLE PROJECTION | | |
| | | | | mm | INCH | DRAWN BY C. YORK | DATE 2009/06/19 | TITLE 5.08/200 EURO PLUG, SAME SIDE WIRE ENTRY & SCREWS W/ MOUNTING ENDS | |
| | | 4 PLACES | ± --- | ± --- | CHECKED BY R. DEROSS | DATE 2009/06/19 | | | |
| | | 3 PLACES | ± --- | ± .005 | APPROVED BY R. DEROSS | DATE 2009/06/19 | | | |
| 2 PLACES | ± 0.13 | ± .01 | ANGULAR ± 2 ° | | MOLEX INCORPORATED MATERIAL NO. | | DOCUMENT NO. SD-39534-002 | SHEET NO. 2 OF 2 | |
| 1 PLACE | ± 0.3 | ± --- | DRAFT WHERE APPLICABLE MUST REMAIN WITHIN DIMENSIONS | | SEE CHART SIZE B | | THIS DRAWING CONTAINS INFORMATION THAT IS PROPRIETARY TO MOLEX INCORPORATED AND SHOULD NOT BE USED WITHOUT WRITTEN PERMISSION | | |



REF. LAST 2 DIGITS OF PART NUMBER EQUALS CIRCUIT COUNT

ENGINEERING NUMBER LEGEND



| TOLERANCES | | | |
|------------|-------|-----------|-------|
| MM | TOL | INCH | TOL |
| 0-6 | ±0.25 | 0-.24 | ±.010 |
| >6-30 | ±0.40 | .24-1.18 | ±.016 |
| >30-120 | ±0.50 | 1.18-4.76 | ±.020 |
| >120 | ±0.80 | >4.76 | ±.031 |

SPECIFICATIONS:

- MATERIAL:
 - A. BLOCK: STEEL ZINC PLATED
 - B. SCREW: M2.5, STEEL ZINC PLATED
 - C. BODY: PA66 UL94 V-0
 - D. CAM: STAINLESS STEEL
 - E. COVER: PA66 UL94 V-0
 - F. TERMINAL: BRASS TIN PLATED
 - G. MOUNTING SCREW: M2.5, STEEL ZINC PLATED
- WIRE SIZE: 30 TO 12 AWG
- RATING: 15A AT 51-150V, 15A AT 151-300V
- MAX TORQUE: 3.5 IN. LBS. (.4 Nm)
- WIRE STRIP: .37 (9.5mm)
- DIELECTRIC VOLTAGE WITHSTAND: AC 2500V FOR 1 MINUTE
- INSULATION RESISTANCE: DC 500V, 500MΩ
- RATED IMPULSE VOLTAGE: 4000V, PLUS AND MINUS 5 TIMES EACH
- OPERATING TEMPERATURE: -40°C TO +105°C
- DIMS GREATER THAN 1.18 (30mm) HAVE A TOLERANCE OF ±.02 (0.5mm)

| PART NUMBER DATA | | | | | | | | | |
|------------------|-------------|--------------------|-------|----------|-------|----------|--------|----------|--------|
| CIRCUITS | PART NUMBER | ENGINEERING NUMBER | COLOR | DIM. "A" | | DIM. "B" | | DIM. "C" | |
| | | | | IN | mm | IN | mm | IN | mm |
| 2 | 397110002 | M753B-00-2-02-3 | GREEN | .79 | 20.0 | .200 | 5.08 | .600 | 15.24 |
| 3 | 397110003 | M753B-00-2-03-3 | GREEN | .99 | 25.0 | .400 | 10.15 | .800 | 20.32 |
| 4 | 397110004 | M753B-00-2-04-3 | GREEN | 1.19 | 30.1 | .600 | 15.23 | 1.000 | 25.40 |
| 5 | 397110005 | M753B-00-2-05-3 | GREEN | 1.39 | 35.2 | .800 | 20.31 | 1.200 | 30.48 |
| 6 | 397110006 | M753B-00-2-06-3 | GREEN | 1.59 | 40.3 | 1.000 | 25.39 | 1.400 | 35.56 |
| 7 | 397110007 | M753B-00-2-07-3 | GREEN | 1.79 | 45.4 | 1.199 | 30.46 | 1.600 | 40.64 |
| 8 | 397110008 | M753B-00-2-08-3 | GREEN | 1.99 | 50.4 | 1.399 | 35.54 | 1.800 | 45.72 |
| 9 | 397110009 | M753B-00-2-09-3 | GREEN | 2.19 | 55.5 | 1.599 | 40.62 | 2.000 | 50.80 |
| 10 | 397110010 | M753B-00-2-10-3 | GREEN | 2.39 | 60.6 | 1.799 | 45.70 | 2.200 | 55.88 |
| 11 | 397110011 | M753B-00-2-11-3 | GREEN | 2.59 | 65.7 | 1.999 | 50.77 | 2.400 | 60.96 |
| 12 | 397110012 | M753B-00-2-12-3 | GREEN | 2.79 | 70.8 | 2.199 | 55.85 | 2.600 | 66.04 |
| 13 | | M753B-00-2-13-3 | GREEN | 2.99 | 75.8 | 2.399 | 60.93 | 2.800 | 71.12 |
| 14 | | M753B-00-2-14-3 | GREEN | 3.19 | 80.9 | 2.599 | 66.01 | 3.000 | 76.20 |
| 15 | | M753B-00-2-15-3 | GREEN | 3.39 | 86.0 | 2.799 | 71.08 | 3.200 | 81.28 |
| 16 | 397110016 | M753B-00-2-16-3 | GREEN | 3.59 | 91.1 | 2.999 | 76.16 | 3.400 | 86.36 |
| 17 | | M753B-00-2-17-3 | GREEN | 3.79 | 96.2 | 3.198 | 81.24 | 3.600 | 91.44 |
| (B3) 18 | 397110018 | M753B-00-2-18-3 | GREEN | 3.99 | 101.2 | 3.398 | 86.32 | 3.800 | 96.52 |
| (B3) 19 | | M753B-00-2-19-3 | GREEN | 4.19 | 106.3 | 3.598 | 91.39 | 4.000 | 101.60 |
| (B3) 20 | 397110020 | M753B-00-2-20-3 | GREEN | 4.39 | 111.4 | 3.798 | 96.47 | 4.200 | 106.68 |
| 21 | | M753B-00-2-21-3 | GREEN | 4.59 | 116.5 | 3.998 | 101.55 | 4.400 | 111.76 |
| 22 | | M753B-00-2-22-3 | GREEN | 4.79 | 121.6 | 4.198 | 106.63 | 4.600 | 116.84 |
| 23 | | M753B-00-2-23-3 | GREEN | 4.99 | 126.6 | 4.398 | 111.70 | 4.800 | 121.92 |
| 24 | | M753B-00-2-24-3 | GREEN | 5.19 | 131.7 | 4.598 | 116.78 | 5.000 | 127.00 |

SEE SHEET-2 FOR OPTIONAL (BLACK) PART NUMBERS

| | | | | | | | | | | | | |
|--|--|---|--|-----------------------------|--|--|--------------------------|--|---------------------------|----------------------|--|--|
| FUNCTIONAL SYMBOLS | THIS DRAWING CONTAINS INFORMATION THAT IS PROPRIETARY TO MOLEX ELECTRONIC TECHNOLOGIES, LLC AND SHOULD NOT BE USED WITHOUT WRITTEN PERMISSION | | | | | | | | | | | |
| | DIMENSION UNITS: INCH/MM SCALE: 4:1 GENERAL TOLERANCES (UNLESS SPECIFIED): 4 PLACES ± --- ± --- 3 PLACES ± --- ± SEE CHART 2 PLACES ± SEE CHART ± SEE CHART 1 PLACE ± SEE CHART ± --- 0 PLACES ± --- ± --- ANGULAR TOL ± --- | CURRENT REV DESC: MIGRATED TO ECTR/NX. ADDED NEW PART NUMBERS | | | | | | | EC NO: 748183 | | | |
| DIVISIONAL SYMBOLS: | DRWN: ABENJAMINLW 2023/05/02 | | | CHK'D: DACHAMMER 2023/05/02 | | | | | APPR: JFMURPHY 2023/05/04 | | | |
| INITIAL REVISION: | | | | DRWN: RSTONE 2014/03/19 | | | DOC NUMBER: SD-39711-001 | | | DOC TYPE: PSD | | |
| DRAFT WHERE APPLICABLE MUST REMAIN WITHIN DIMENSIONS | | | | THIRD ANGLE PROJECTION | | | DRAWING: C-SIZE | | | SERIES: 39711 | | |
| | | | | MATERIAL NUMBER: SEE CHART | | | CUSTOMER: GENERAL MARKET | | | SHEET NUMBER: 1 OF 2 | | |

REF. LAST 2 DIGITS OF PART NUMBER EQUALS CIRCUIT COUNT

| PART NUMBER DATA | | | | | | | | | |
|------------------|-------------|--------------------|-------|----------|-------|----------|--------|----------|--------|
| CIRCUITS | PART NUMBER | ENGINEERING NUMBER | COLOR | DIM. "A" | | DIM. "B" | | DIM. "C" | |
| | | | | IN | mm | IN | mm | IN | mm |
| 2 | 395341002 | M753B-00-2-02-1 | BLACK | .79 | 20.0 | .200 | 5.08 | .600 | 15.24 |
| 3 | 395341003 | M753B-00-2-03-1 | BLACK | .99 | 25.0 | .400 | 10.15 | .800 | 20.32 |
| 4 | 395341004 | M753B-00-2-04-1 | BLACK | 1.19 | 30.1 | .600 | 15.23 | 1.000 | 25.40 |
| 5 | 395341005 | M753B-00-2-05-1 | BLACK | 1.39 | 35.2 | .800 | 20.31 | 1.200 | 30.48 |
| 6 | 395341006 | M753B-00-2-06-1 | BLACK | 1.59 | 40.3 | 1.000 | 25.39 | 1.400 | 35.56 |
| 7 | 395341007 | M753B-00-2-07-1 | BLACK | 1.79 | 45.4 | 1.199 | 30.46 | 1.600 | 40.64 |
| 8 | 395341008 | M753B-00-2-08-1 | BLACK | 1.99 | 50.4 | 1.399 | 35.54 | 1.800 | 45.72 |
| 9 | 395341009 | M753B-00-2-09-1 | BLACK | 2.19 | 55.5 | 1.599 | 40.62 | 2.000 | 50.80 |
| 10 | 395341010 | M753B-00-2-10-1 | BLACK | 2.39 | 60.6 | 1.799 | 45.70 | 2.200 | 55.88 |
| 11 | 395341011 | M753B-00-2-11-1 | BLACK | 2.59 | 65.7 | 1.999 | 50.77 | 2.400 | 60.96 |
| 12 | 395341012 | M753B-00-2-12-1 | BLACK | 2.79 | 70.8 | 2.199 | 55.85 | 2.600 | 66.04 |
| 13 | | M753B-00-2-13-1 | BLACK | 2.99 | 75.8 | 2.399 | 60.93 | 2.800 | 71.12 |
| 14 | | M753B-00-2-14-1 | BLACK | 3.19 | 80.9 | 2.599 | 66.01 | 3.000 | 76.20 |
| 15 | | M753B-00-2-15-1 | BLACK | 3.39 | 86.0 | 2.799 | 71.08 | 3.200 | 81.28 |
| 16 | 395341016 | M753B-00-2-16-1 | BLACK | 3.59 | 91.1 | 2.999 | 76.16 | 3.400 | 86.36 |
| 17 | | M753B-00-2-17-1 | BLACK | 3.79 | 96.2 | 3.198 | 81.24 | 3.600 | 91.44 |
| 18 | | M753B-00-2-18-1 | BLACK | 3.99 | 101.2 | 3.398 | 86.32 | 3.800 | 96.52 |
| 19 | | M753B-00-2-19-1 | BLACK | 4.19 | 106.3 | 3.598 | 91.39 | 4.000 | 101.60 |
| 20 | | M753B-00-2-20-1 | BLACK | 4.39 | 111.4 | 3.798 | 96.47 | 4.200 | 106.68 |
| 21 | 395341021 | M753B-00-2-21-1 | BLACK | 4.59 | 116.5 | 3.998 | 101.55 | 4.400 | 111.76 |
| 22 | | M753B-00-2-22-1 | BLACK | 4.79 | 121.6 | 4.198 | 106.63 | 4.600 | 116.84 |
| 23 | | M753B-00-2-23-1 | BLACK | 4.99 | 126.6 | 4.398 | 111.70 | 4.800 | 121.92 |
| 24 | 395341024 | M753B-00-2-24-1 | BLACK | 5.19 | 131.7 | 4.598 | 116.78 | 5.000 | 127.00 |

CONTACT FACTORY FOR OPTIONAL COLOR

| TOLERANCES | | | |
|------------|-------|-----------|-------|
| MM | TOL | INCH | TOL |
| 0-6 | ±0.25 | 0-.24 | ±.010 |
| >6-30 | ±0.40 | .24-1.18 | ±.016 |
| >30-120 | ±0.50 | 1.18-4.76 | ±.020 |
| >120 | ±0.80 | >4.76 | ±.031 |

| | | | | |
|--|---|---------------------|---|--------------------------------|
| FUNCTIONAL SYMBOLS FA = 0 FC = 0 FP = 0 | THIS DRAWING CONTAINS INFORMATION THAT IS PROPRIETARY TO MOLEX ELECTRONIC TECHNOLOGIES, LLC AND SHOULD NOT BE USED WITHOUT WRITTEN PERMISSION | | CURRENT REV DESC: MIGRATED TO ECTR/NX. ADDED NEW PART NUMBERS | |
| | DIMENSION UNITS INCH/MM | SCALE 1:1 | EC NO: 748183 | |
| DIVISIONAL SYMBOLS | GENERAL TOLERANCES (UNLESS SPECIFIED) | | DRWN: ABENJAMINLW 2023/05/02 | |
| | 4 PLACES ± --- ± --- | MM INCH | CHK'D: DACHAMMER 2023/05/02 | |
| | 3 PLACES ± --- ± --- | SEE CHART | APPR: JFMURPHY 2023/05/04 | |
| | 2 PLACES ± --- ± --- | SEE CHART | INITIAL REVISION: | |
| | 1 PLACE ± --- ± --- | SEE CHART | DRWN: RSTONE 2014/03/19 | |
| | 0 PLACES ± --- ± --- | SEE CHART | APPR: JFMURPHY 2014/10/16 | |
| | ANGULAR TOL ± --- | | THIRD ANGLE PROJECTION | |
| DRAFT WHERE APPLICABLE MUST REMAIN WITHIN DIMENSIONS | | DRAWING | SERIES | DOCUMENT NUMBER |
| | | | C-SIZE | 39711 |
| | | MATERIAL NUMBER | | DOC TYPE DOC PART REVISION |
| | | SEE CHART | | PSD 001 B3 |
| | | CUSTOMER | | SHEET NUMBER |
| | | GENERAL MARKET | | 2 OF 2 |

molex

TERMINAL PLUG, 5.08MM HORIZONTAL SCREW WITH MOUNTING ENDS

PRODUCT CUSTOMER DRAWING