

MATERIALS AND FINISHES:

BODY: BRASS
 PLATED: TRI-M3 (118µ-in MIN)

CONTACT: BRASS
 PLATED: SILVER (118µ-in MIN)

COUPLING NUT: BRASS
 PLATED: NICKEL (78µ-in MIN)

INSULATORS: PTFE

O-RING: SILICONE RUBBER

PERFORMANCE REQUIREMENTS:

FREQUENCY RANGE: 0-6 GHz

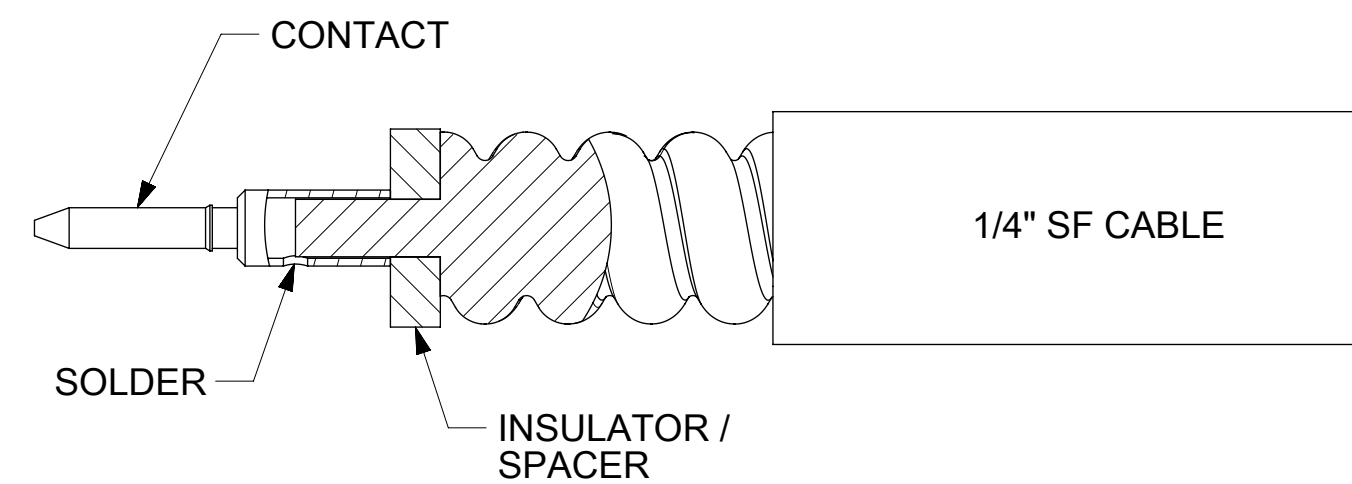
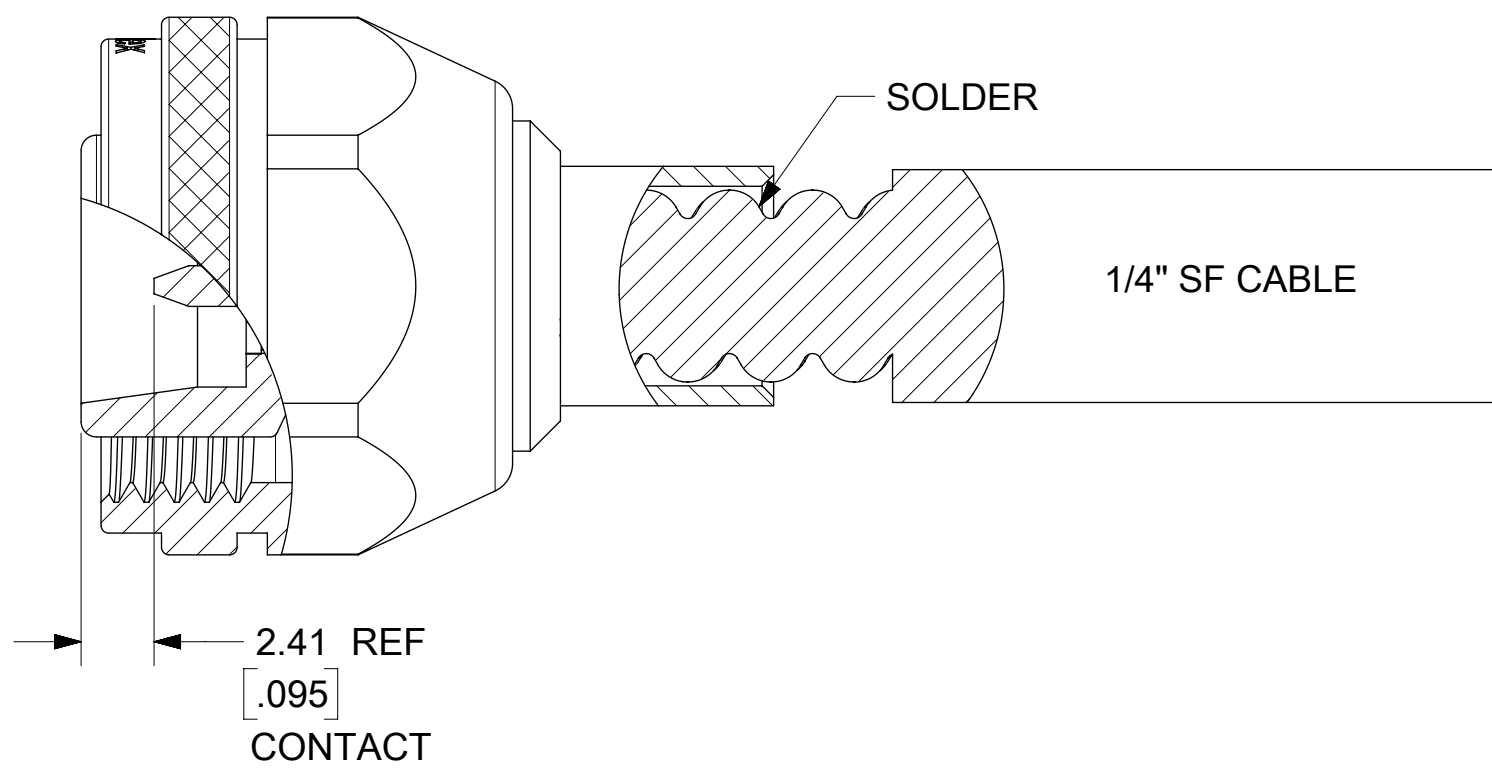
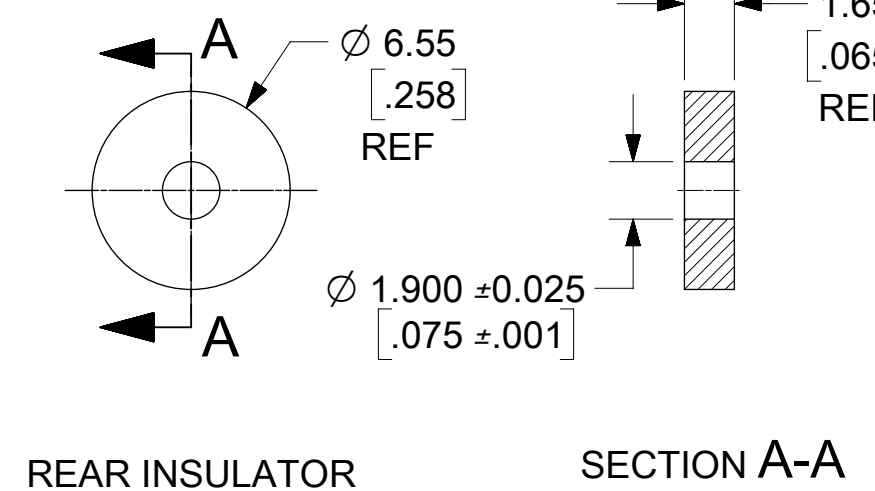
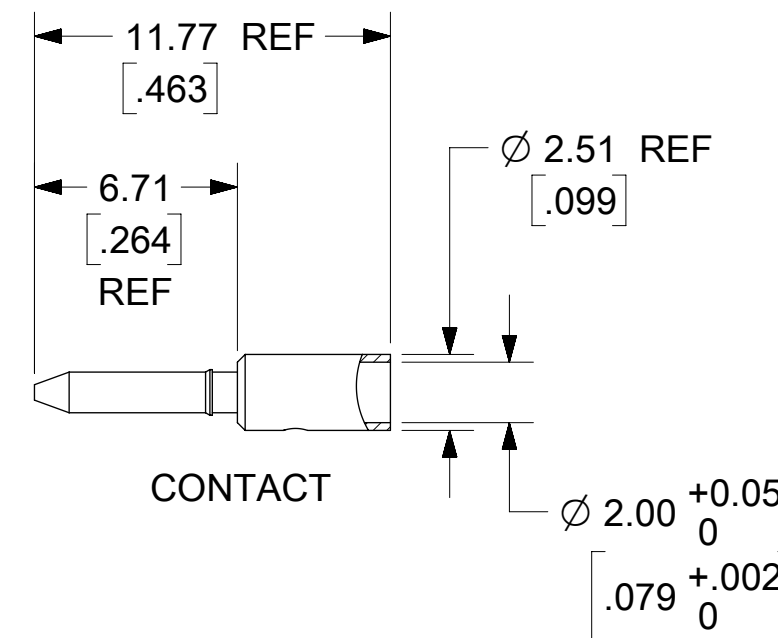
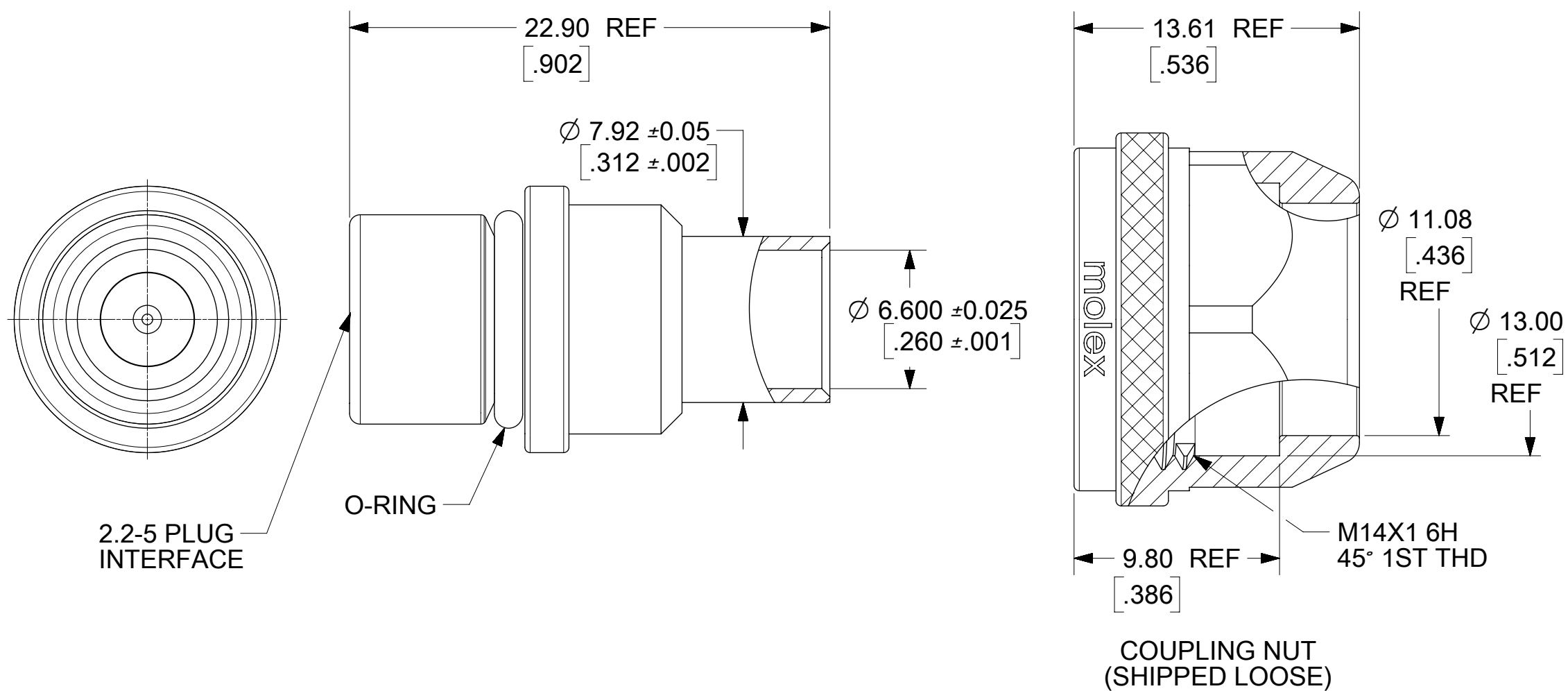
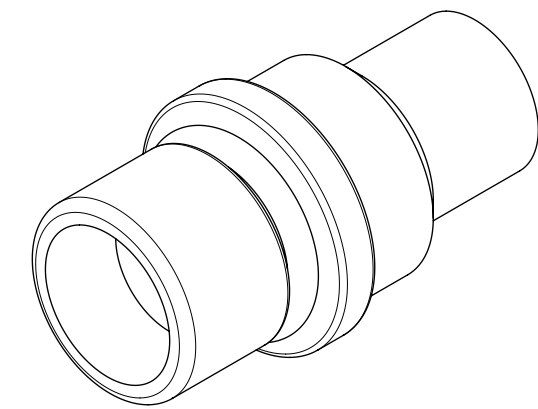
IMPEDANCE: 50 OHMS

WITHSTAND VOLTAGE: 1.5 kV/ 50 Hz

RETURN LOSS (TYPICAL): -36dB, DC TO 6.0GHz

PIM (TYPICAL): <-166dBc @ 2 x 43dBm

WATER PROOF: IP67 (UNMATED)



PART # 73225-3030

2.2-5 INTERFACE SPEC (IEC)	INTERFACE
SPECIFICATION	DESCRIPTION

SYMBOLS										THIS DRAWING CONTAINS INFORMATION THAT IS PROPRIETARY TO MOLEX ELECTRONIC TECHNOLOGIES, LLC AND SHOULD NOT BE USED WITHOUT WRITTEN PERMISSION									
DIMENSION UNITS					SCALE					CURRENT REV DESC: SEE ECM									
MM										EC NO: 601674 DRWN: APRAKASH01 2018/07/16 CHK'D: BBHARADWAJD 2018/08/02 APPR: AROBERTSON 2018/08/02 INITIAL REVISION: DRWN: APRAKASH01 2018/07/05 APPR: AROBERTSON 2018/07/05									
GENERAL TOLERANCES (UNLESS SPECIFIED)																			
4 PLACES ±					±														
3 PLACES ±					± 0.01														
2 PLACES ±					± 0.25 ±														
1 PLACE ±					±														
0 PLACES ±					±														
ANGULAR TOL ± 2.0°																			
DRAFT WHERE APPLICABLE MUST REMAIN WITHIN DIMENSIONS					THIRD ANGLE PROJECTION					DRAWING									
					C-SIZE					SERIES									
					73225					MATERIAL NUMBER									
					732253030					CUSTOMER									
										SHEET NUMBER									
										1 OF 1									

molex

2.2-5 PLUG ST IP67 FOR
1/4 INCH CORRUGATED CABLES, EWR-11420

PRODUCT CUSTOMER DRAWING

DOCUMENT NUMBER	DOC TYPE	DOC PART	REVISION
732253030	PSD	000	B

DOCUMENT STATUS	P1	RELEASE DATE	2018/08/02	13:05:16
-----------------	----	--------------	------------	----------