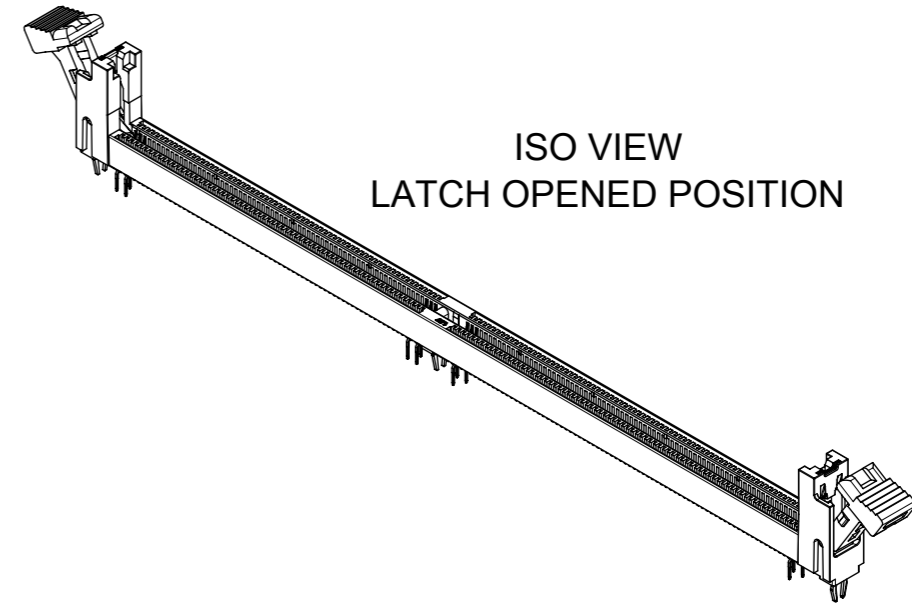
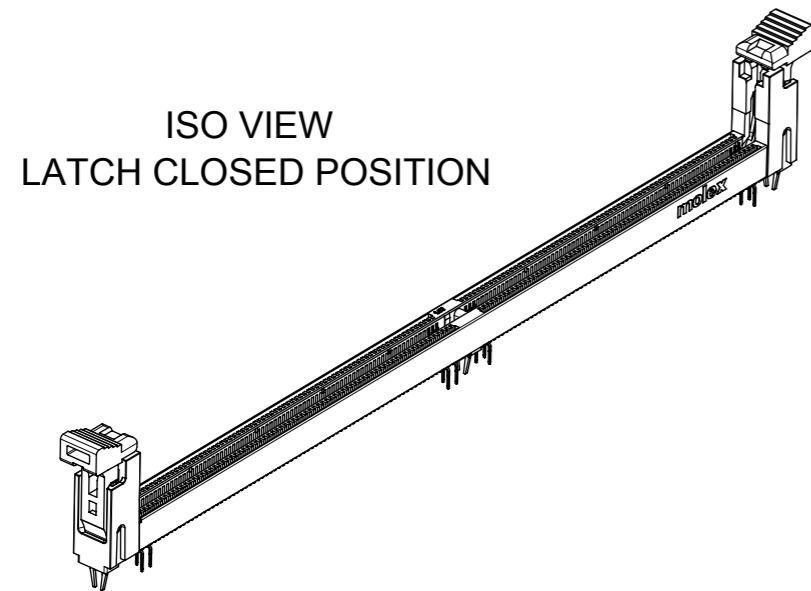
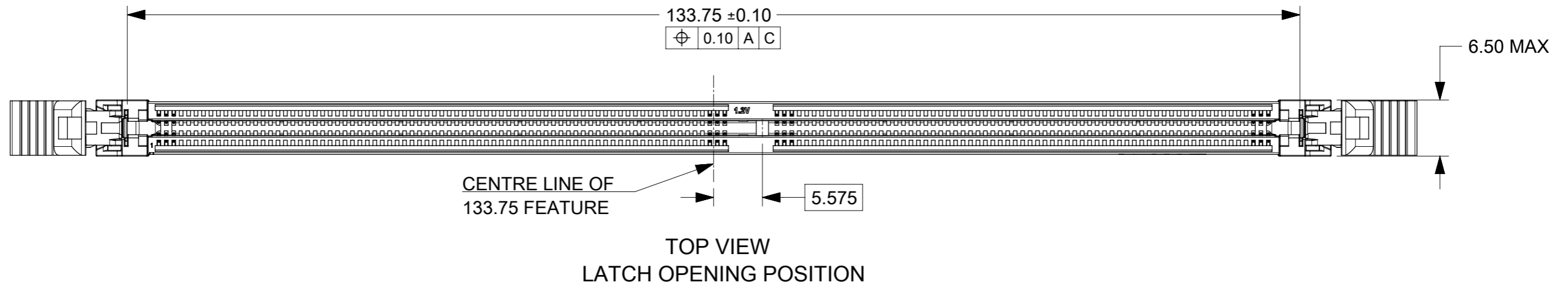


**NOTES:**

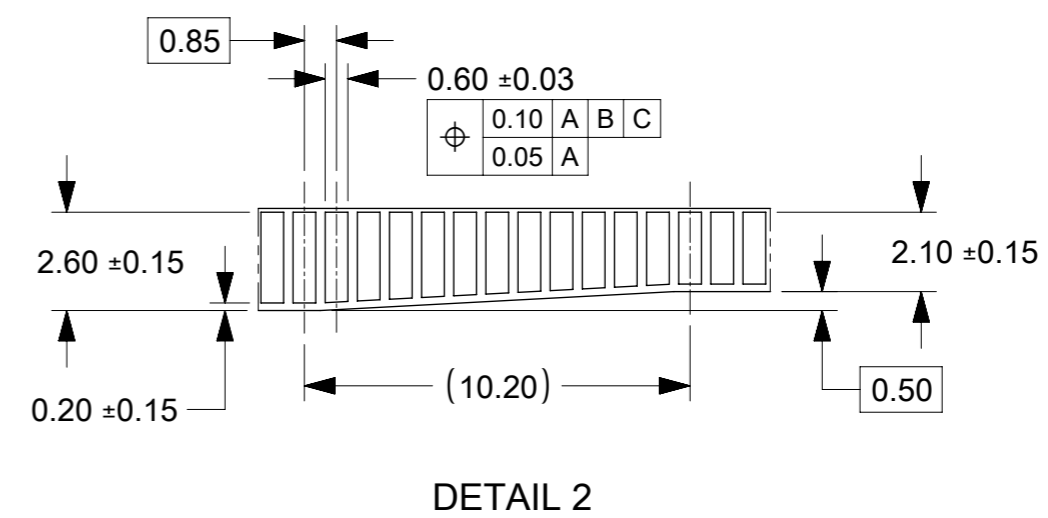
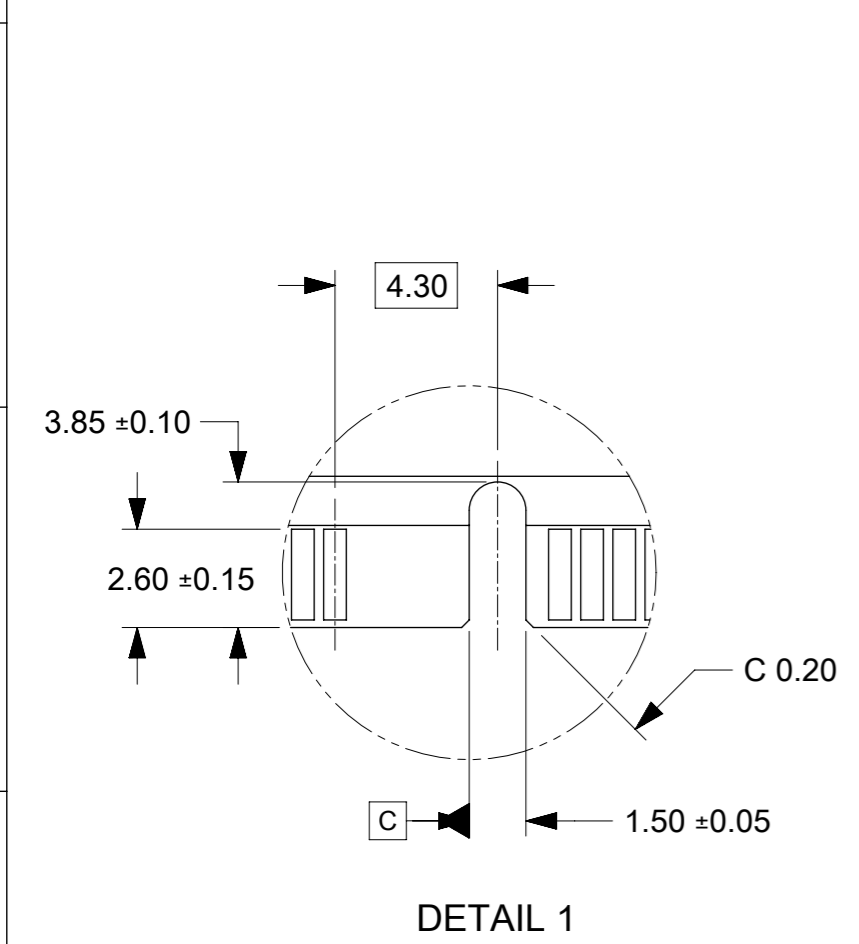
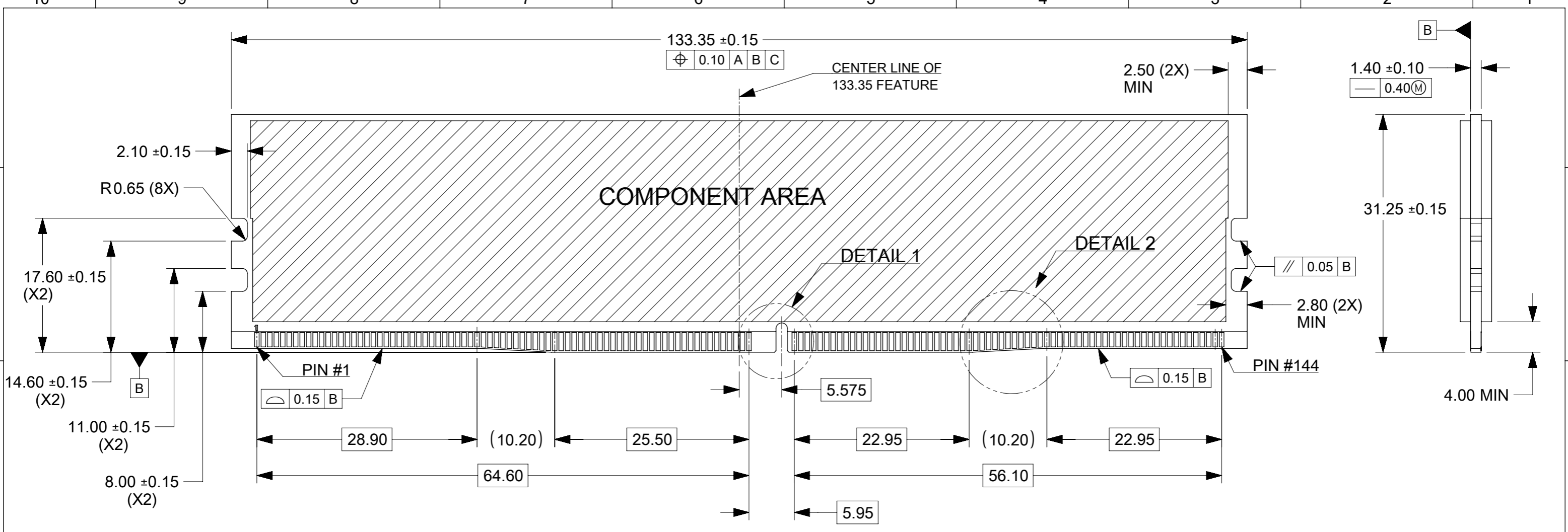
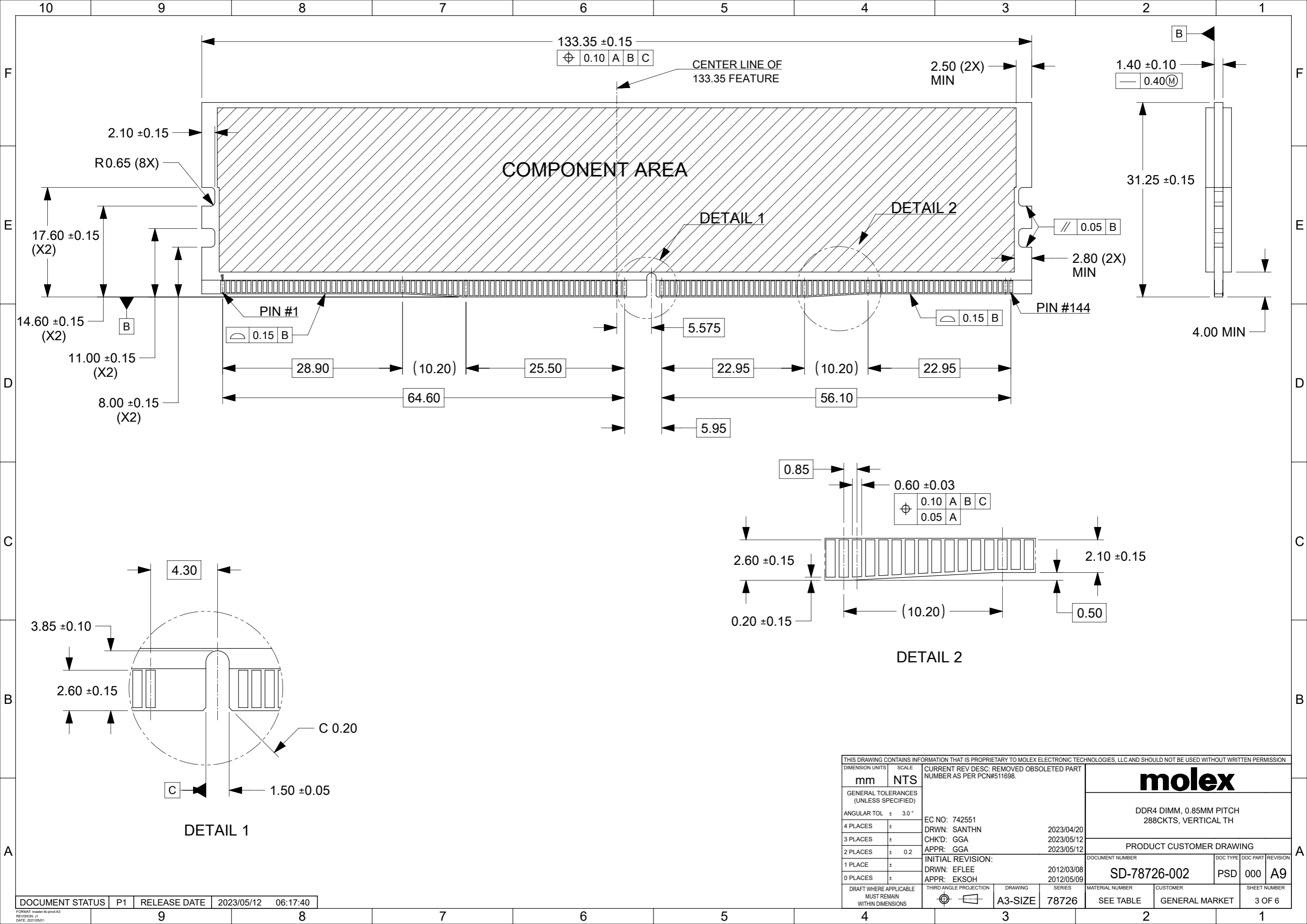
- MATERIAL : HOUSING - HALOGEN FREE HIGH TEMP POLYAMIDE, GLASS FILLED, UL94V-0.  
COLOUR : SEE TABLE ON SHEET 5.  
LATCH - HALOGEN FREE HIGH TEMP POLYAMIDE, GLASS FILLED, UL94V-0.  
COLOUR : SEE TABLE ON SHEET 5.  
TERMINAL : COPPER ALLOY.  
FORKLOCK: COPPER ALLOY.
- FINISHES - SEE TABLE ON SHEET 5.
- PRODUCT SPECIFICATION : SEE TABLE ON SHEET 5.
- PACKAGING SPECIFICATION: PRODUCT SHALL BE PACKED IN TRAY, SEE SHEET 5
- CARD SLOT ACCEPTS 1.40±0.10MM MODULE THICKNESS (MEASURED OVER P.C. PADS).
- MOLEX LOGO, DATE & PART NO. INDICATED ON HOUSING.
- MODULE SEATING PLANE.
- KEEP OUT ZONE RESERVED FOR LATCH.
- KEEP OUT AREA IS THE AREA WHERE THE CONNECTOR (INCLUDES LATCHES IN OPENING POSITION) IS MOUNTED ON THE PCB.
- REFER TO AS-78726-001 FOR CONNECTOR APPLICATION GUIDELINE.
- REFER TO AS-78726-002 FOR PCB ROUTING RECOMMENDATIONS.

DETAIL 5 : BUMPER ZONE

THIS DRAWING CONTAINS INFORMATION THAT IS PROPRIETARY TO MOLEX ELECTRONIC TECHNOLOGIES, LLC AND SHOULD NOT BE USED WITHOUT WRITTEN PERMISSION		<p>DDR4 DIMM, 0.85MM PITCH 288CKTS, VERTICAL TH</p>																							
<table border="1"> <tr> <th>DIMENSION UNITS</th> <th>SCALE</th> </tr> <tr> <td>mm</td> <td>NTS</td> </tr> </table>				DIMENSION UNITS	SCALE	mm	NTS	<p>EC NO: 742551 DRWN: SANTHN 2023/04/20 CHK'D: GGA 2023/05/12 APPR: GGA 2023/05/12</p>																	
DIMENSION UNITS	SCALE																								
mm	NTS																								
<table border="1"> <tr> <th colspan="2">GENERAL TOLERANCES (UNLESS SPECIFIED)</th> </tr> <tr> <td>ANGULAR TOL</td> <td>± 3.0°</td> </tr> <tr> <td>4 PLACES</td> <td>±</td> </tr> <tr> <td>3 PLACES</td> <td>±</td> </tr> <tr> <td>2 PLACES</td> <td>± 0.2</td> </tr> <tr> <td>1 PLACE</td> <td>±</td> </tr> <tr> <td>0 PLACES</td> <td>±</td> </tr> </table>		GENERAL TOLERANCES (UNLESS SPECIFIED)		ANGULAR TOL	± 3.0°	4 PLACES	±	3 PLACES	±	2 PLACES	± 0.2	1 PLACE	±	0 PLACES	±	<p>INITIAL REVISION: DRWN: EFLEE 2012/03/08 APPR: EKSOH 2012/05/09</p>									
GENERAL TOLERANCES (UNLESS SPECIFIED)																									
ANGULAR TOL	± 3.0°																								
4 PLACES	±																								
3 PLACES	±																								
2 PLACES	± 0.2																								
1 PLACE	±																								
0 PLACES	±																								
<table border="1"> <tr> <th>DRAFT WHERE APPLICABLE MUST REMAIN WITHIN DIMENSIONS</th> <th>THIRD ANGLE PROJECTION</th> <th>DRAWING</th> <th>SERIES</th> <th>MATERIAL NUMBER</th> <th>CUSTOMER</th> <th>SHEET NUMBER</th> </tr> <tr> <td></td> <td></td> <td>A3-SIZE</td> <td>78726</td> <td>SEE TABLE</td> <td>GENERAL MARKET</td> <td>1 OF 6</td> </tr> </table>		DRAFT WHERE APPLICABLE MUST REMAIN WITHIN DIMENSIONS	THIRD ANGLE PROJECTION	DRAWING	SERIES	MATERIAL NUMBER	CUSTOMER	SHEET NUMBER			A3-SIZE	78726	SEE TABLE	GENERAL MARKET	1 OF 6	<p>PRODUCT CUSTOMER DRAWING</p> <table border="1"> <tr> <th>DOCUMENT NUMBER</th> <th>DOC TYPE</th> <th>DOC PART</th> <th>REVISION</th> </tr> <tr> <td>SD-78726-002</td> <td>PSD</td> <td>000</td> <td>A9</td> </tr> </table>		DOCUMENT NUMBER	DOC TYPE	DOC PART	REVISION	SD-78726-002	PSD	000	A9
DRAFT WHERE APPLICABLE MUST REMAIN WITHIN DIMENSIONS	THIRD ANGLE PROJECTION	DRAWING	SERIES	MATERIAL NUMBER	CUSTOMER	SHEET NUMBER																			
		A3-SIZE	78726	SEE TABLE	GENERAL MARKET	1 OF 6																			
DOCUMENT NUMBER	DOC TYPE	DOC PART	REVISION																						
SD-78726-002	PSD	000	A9																						



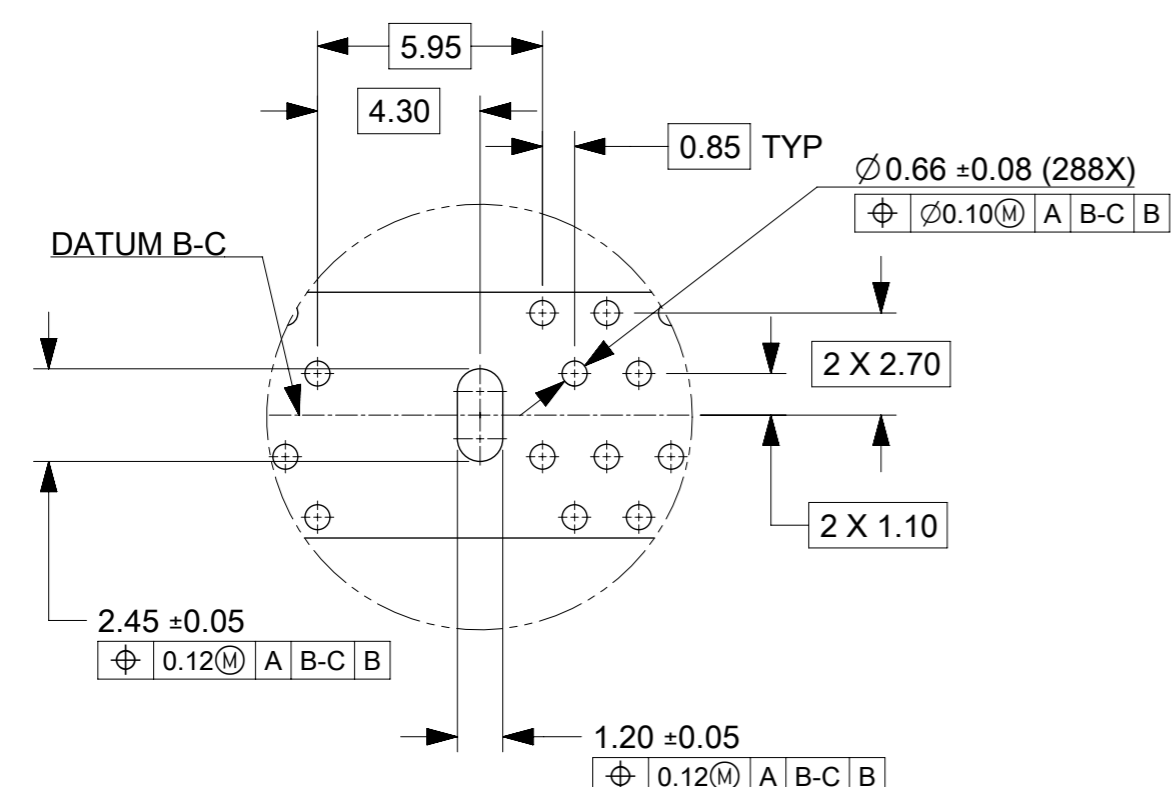
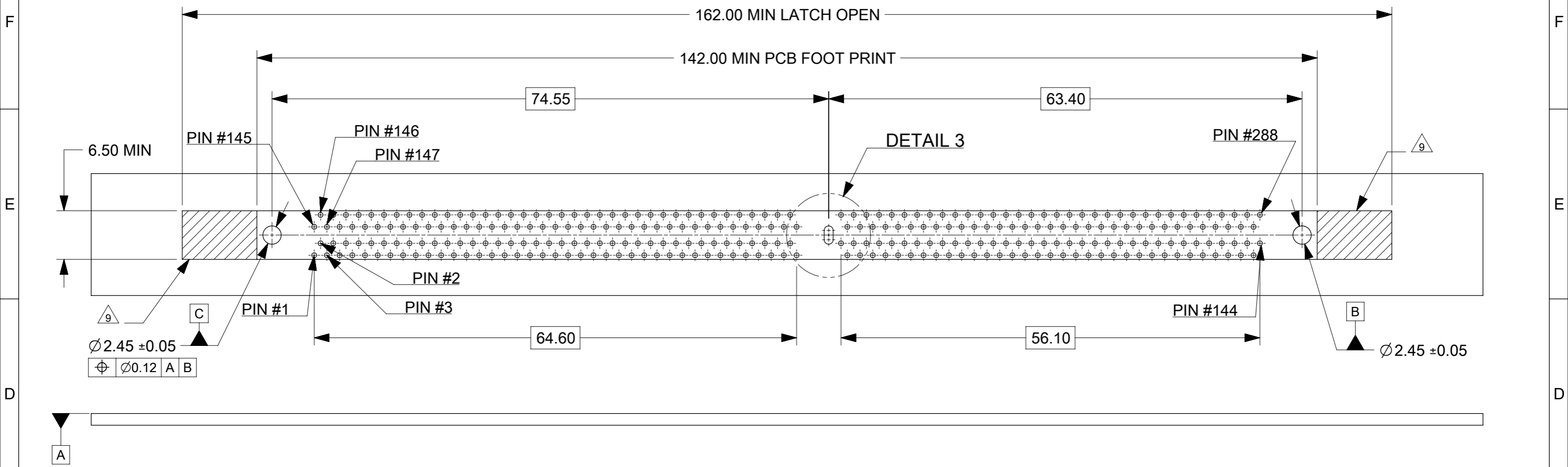
THIS DRAWING CONTAINS INFORMATION THAT IS PROPRIETARY TO MOLEX ELECTRONIC TECHNOLOGIES, LLC AND SHOULD NOT BE USED WITHOUT WRITTEN PERMISSION										
DIMENSION UNITS	SCALE	CURRENT REV DESC: REMOVED OBSOLETE PART NUMBER AS PER PCN#511698.								
mm	NTS									
GENERAL TOLERANCES (UNLESS SPECIFIED)										
ANGULAR TOL	± 3.0 °	<b>DDR4 DIMM, 0.85MM PITCH 288CKTS, VERTICAL TH</b>								
4 PLACES	±									
3 PLACES	±	<b>PRODUCT CUSTOMER DRAWING</b>								
2 PLACES	± 0.2									
1 PLACE	±	EC NO: 742551 DRWN: SANTHN 2023/04/20 CHK'D: GGA 2023/05/12 APPR: GGA 2023/05/12								
0 PLACES	±									
DRAFT WHERE APPLICABLE MUST REMAIN WITHIN DIMENSIONS		THIRD ANGLE PROJECTION	DRAWING	SERIES	MATERIAL NUMBER	CUSTOMER	DOCUMENT NUMBER	DOC TYPE	DOC PART	REVISION
			A3-SIZE	78726	SEE TABLE	GENERAL MARKET	SD-78726-002	PSD	000	A9



THIS DRAWING CONTAINS INFORMATION THAT IS PROPRIETARY TO MOLEX ELECTRONIC TECHNOLOGIES, LLC AND SHOULD NOT BE USED WITHOUT WRITTEN PERMISSION											
DIMENSION UNITS <b>mm</b>		SCALE <b>NTS</b>		CURRENT REV DESC: REMOVED OBSOLETE PART NUMBER AS PER PCN#511698.						<b>DDR4 DIMM, 0.85MM PITCH 288CKTS, VERTICAL TH</b>	
GENERAL TOLERANCES (UNLESS SPECIFIED)		ANGULAR TOL ± 3.0°		EC NO: 742551							
4 PLACES ±		3 PLACES ±		2 PLACES ± 0.2		1 PLACE ±		0 PLACES ±		INITIAL REVISION:	
DRWN: EFLEE		2012/03/08		APPR: EKSOH		2012/05/09		DRWN: SANTHN		2023/04/20	
CHK'D: GGA		2023/05/12		APPR: GGA		2023/05/12		PRODUCT CUSTOMER DRAWING		DOCUMENT NUMBER	
SD-78726-002		PSD		000		A9		CUSTOMER		SHEET NUMBER	
GENERAL MARKET		3 OF 6		MATERIAL NUMBER		SEE TABLE		DRAWING		SERIES	
A3-SIZE		78726		THIRD ANGLE PROJECTION		DRAWING		SERIES		MATERIAL NUMBER	
A3-SIZE		78726		THIRD ANGLE PROJECTION		DRAWING		SERIES		MATERIAL NUMBER	

DOCUMENT STATUS	P1	RELEASE DATE	2023/05/12	06:17:40
-----------------	----	--------------	------------	----------

10 9 8 7 6 5 4 3 2 1



DETAIL 3

THIS DRAWING CONTAINS INFORMATION THAT IS PROPRIETARY TO MOLEX ELECTRONIC TECHNOLOGIES, LLC AND SHOULD NOT BE USED WITHOUT WRITTEN PERMISSION									
DIMENSION UNITS		SCALE		CURRENT REV DESC: REMOVED OBSOLETE PART NUMBER AS PER PCN#511698.					
mm		NTS							
GENERAL TOLERANCES (UNLESS SPECIFIED)									
ANGULAR TOL ± 3.0°				PRODUCT CUSTOMER DRAWING					
4 PLACES ±				EC NO: 742551		2023/04/20		DOCUMENT NUMBER	
3 PLACES ±				DRWN: SANTHN		2023/05/12		SD-78726-002	
2 PLACES ±		0.2		CHK'D: GGA		2023/05/12		PSD 000 A9	
1 PLACE ±				APPR: GGA				REVISION	
0 PLACES ±				INITIAL REVISION:					
DRAFT WHERE APPLICABLE MUST REMAIN WITHIN DIMENSIONS		THIRD ANGLE PROJECTION		DRAWING		SERIES		MATERIAL NUMBER	
				A3-SIZE		78726		CUSTOMER	
								GENERAL MARKET	
								SHEET NUMBER	
								4 OF 6	

DOCUMENT STATUS	P1	RELEASE DATE	2023/05/12	06:17:40
-----------------	----	--------------	------------	----------

9 8 7 6 5 4 3 2 1

F  
E  
D  
C  
B  
A

CKT SIZE	ASSEMBLY PART NO.	HOUSING COLOR	LATCH COLOR	DIM "P"	RECOMMENDED PCB THICKNESS	PLATING OPTION		PRODUCT SPEC. NO.	PACKAGING SPEC. NO.
						TERMINAL	FORKLOCK		
288	78726-1051	BLACK	BLACK	2.10	1.57	0.76 MICROMETER (30 MICROINCH) MIN GOLD ON CONTACT	1 MICROMETER (40 MICROINCH) MIN TIN OVERALL (PRE-PLATED)	PS-78726-001	PK-78726-001
	78726-1039			2.40	1.57				
	78726-1002			2.67	1.57				
	78726-1003			3.18	2.36				
	78726-1026			3.50	3.00				
	78726-1040	BLACK	WHITE	2.40	1.57				
	78726-1004			2.67	1.57				
	78726-1005			3.18	2.36				
	78726-1041	WHITE	BLACK	2.40	1.57				
	78726-1054	WHITE	WHITE	2.10	1.57				
	78726-1042			2.40	1.57				
	78726-1029			3.50	3.00				
	78726-1055			2.10	1.57				
	78726-1043	BLUE	BLUE	2.40	1.57				
	78726-1010			2.67	1.57				
	78726-1011			3.18	2.36				
	78726-1030			3.50	3.00				
	78726-1023			BLUE	WHITE				3.18
	78726-1064	YELLOW	WHITE	2.40	1.57				
	78726-0081	BLACK	BLACK	3.18	2.36				
78726-3005	WHITE			3.18	2.36				
78726-3052				2.10	1.57				
78726-4039				BLACK	2.40	1.57			
78726-4040				WHITE	2.40	1.57			

THIS DRAWING CONTAINS INFORMATION THAT IS PROPRIETARY TO MOLEX ELECTRONIC TECHNOLOGIES, LLC AND SHOULD NOT BE USED WITHOUT WRITTEN PERMISSION

DIMENSION UNITS	SCALE	CURRENT REV DESC: REMOVED OBSOLETE PART NUMBER AS PER PCN#511698.	<b>molex</b>					
mm	NTS							
GENERAL TOLERANCES (UNLESS SPECIFIED)		EC NO: 742551 DRWN: SANTHN 2023/04/20 CHK'D: GGA 2023/05/12 APPR: GGA 2023/05/12	DDR4 DIMM, 0.85MM PITCH 288CKTS, VERTICAL TH					
ANGULAR TOL	± 3.0 °		PRODUCT CUSTOMER DRAWING					
4 PLACES	±		DOCUMENT NUMBER					
3 PLACES	±		SD-78726-002					
2 PLACES	± 0.2		DOC TYPE					
1 PLACE	±		PSD					
0 PLACES	±	DOC PART						
DRAFT WHERE APPLICABLE MUST REMAIN WITHIN DIMENSIONS		THIRD ANGLE PROJECTION		DRAWING	SERIES	MATERIAL NUMBER	CUSTOMER	REVISION
				A3-SIZE	78726	SEE TABLE	GENERAL MARKET	A9
								SHEET NUMBER
								5 OF 6

CKT SIZE	ASSEMBLY PART NO.	HOUSING COLOR	LATCH COLOR	DIM "P"	RECOMMENDED PCB THICKNESS	PLATING OPTION		PRODUCT SPEC. NO.	PACKAGING SPEC. NO.
						TERMINAL	FORKLOCK		
288	78726-1045	BLACK	BLACK	2.40	1.57	0.38 MICROMETER (15 MICROINCH) MIN GOLD ON CONTACT	1 MICROMETER (40 MICROINCH) MIN TIN OVERALL (PRE-PLATED)	PS-78726-002	PK-78726-001
	78726-1012			2.67	1.57				
	78726-1013			3.18	2.36				
	78726-1032			3.50	3.00				
	78726-1046	BLACK	WHITE	2.40	1.57				
	78726-1033			3.50	3.00				
	78726-1059	WHITE	BLACK	2.10	1.57				
	78726-1047			2.40	1.57				
	78726-1048	WHITE	WHITE	2.40	1.57				
	78726-1018			2.67	1.57				
	78726-1035			3.50	3.00				
	78726-1049			2.40	1.57				
	78726-1020	BLUE	BLUE	2.67	1.57				
	78726-1021			3.18	2.36				
	78726-1036	BLUE	WHITE	3.50	3.00				
	78726-1050			2.40	1.57				
	78726-1037			3.50	3.00				
	78726-1072			3.50	3.00				
	78726-3012	BLACK	BLACK	2.67	1.57				
	78726-3032			3.50	3.00				
78726-3020	BLUE	BLUE	2.67	1.57					
78726-3036			3.50	3.00					
									787260003

THIS DRAWING CONTAINS INFORMATION THAT IS PROPRIETARY TO MOLEX ELECTRONIC TECHNOLOGIES, LLC AND SHOULD NOT BE USED WITHOUT WRITTEN PERMISSION

DIMENSION UNITS	SCALE	CURRENT REV DESC: REMOVED OBSOLETE PART NUMBER AS PER PCN#511698.	<b>molex</b>		
mm	NTS				
GENERAL TOLERANCES (UNLESS SPECIFIED)		EC NO: 742551 DRWN: SANTHN 2023/04/20 CHK'D: GGA 2023/05/12 APPR: GGA 2023/05/12	DDR4 DIMM, 0.85MM PITCH 288CKTS, VERTICAL TH		
ANGULAR TOL	± 3.0 °		PRODUCT CUSTOMER DRAWING		
4 PLACES	±		DOCUMENT NUMBER		
3 PLACES	±		SD-78726-002		
2 PLACES	± 0.2		DOC TYPE		
1 PLACE	±		PSD		
0 PLACES	±	DOC PART			
DRAFT WHERE APPLICABLE MUST REMAIN WITHIN DIMENSIONS		THIRD ANGLE PROJECTION		DRAWING	SHEET NUMBER
				A3-SIZE	6 OF 6
		SERIES	MATERIAL NUMBER	CUSTOMER	REVISION
		78726	SEE TABLE	GENERAL MARKET	A9