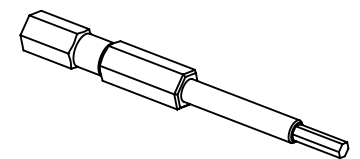
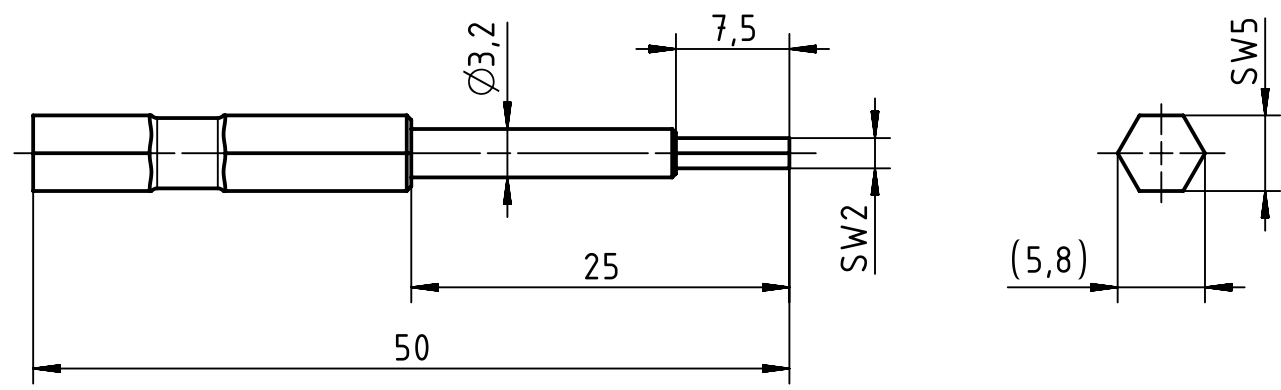


A

B

C

D



	All Dimensions in mm Original Size DIN A4		Scale 2:1	Free size tol.		Ref.		
						Sub.		
	All rights reserved		Created by DICK	Inspected by SCHNIEDER	Standardisation TIEMANNA	Date 2014-07-03	State Final Release	
	Department EL PD - DE		Title hexagonal wrench adapter SW2				Doc-Key / ECM-Nr. 100090885/UGD/003/A 500000076557	
HARTING Electric GmbH & Co. KG D-32339 Espelkamp			Type TB	Number 09 99 000 0369			Rev. A	Page 1/1