

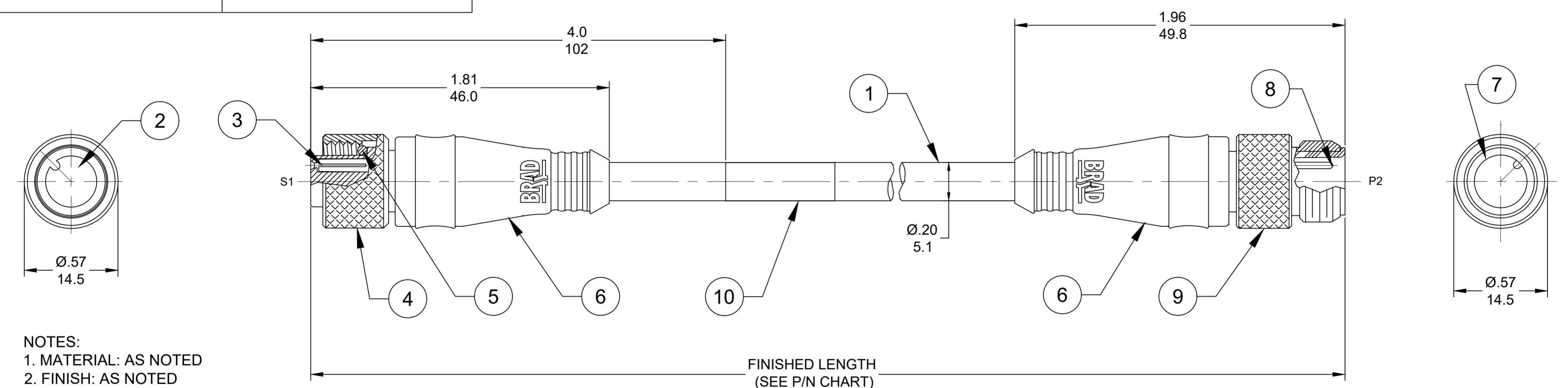
PART NUMBER LEGEND

1200662195-M050

FINISHED LENGTH:
M005= 0.5 METER
M010= 1 METER
M100= 10 METER

CABLE LENGTH TOLERANCES

>.3M [1FT]: +19mm-0 [+.75in-0]
.3 - .9M [1 - 3FT]: +44.5mm-0 [+1.75in-0]
.9 - 1.8M [3 - 6FT]: +55.6mm-0 [+2.19in-0]
1.8 - 3.7M [6 - 12FT]: +88.9mm-0 [+3.50in-0]
3.7 - 7.3M [12 - 24FT]: +165.1mm-0 [+6.50in-0]
7.3-14.6M [24 - 48FT]: +317.5mm-0 [+12.50in-0]
14.6 - 30.5M [48-100FT]: +622.3mm-0 [+24.50in-0]
OVER 30M [100FT] +2% OF FINISHED LENGTH



- ### NOTES:
1. MATERIAL: AS NOTED
 2. FINISH: AS NOTED
 3. ELECTRICAL:
VOLTAGE: 30V
CURRENT: 2A
 4. TEMP RATING: -25°C TO +105°C
 5. PROTECTION: IP67 (WHEN MATED)
 6. COUPLING THREAD: M12 X 1.0
 7. ALL DIMS ARE FOR REFERENCE UNLESS TOLERANCED OR NOTED OTHERWISE

PART NO.	ENGINEERING NO.	FINISHED LENGTH
1200662195	1200662195-M050	5M (16FT 5IN)
1200662196	1200662195-M150	15M (49FT 2IN)
1200662197	1200662195-M300	30M (98FT 5IN)

ITEM	DESCRIPTION	MATERIAL	FINISH
10	FLAG LABEL	VINYL	BLACK/YELLOW
9	COUPLING NUT, MALE THREAD	BRASS	NICKEL PLATED
8	CONTACT PIN	COPPER ALLOY	GOLD PLATED
7	MALE INSERT	PUR	BLACK
6	OVERMOLDS	TPC	YELLOW
5	O-RING SEAL	VITON	RED
4	COUPLING NUT, FEMALE THREAD	BRASS	NICKEL PLATED
3	CONTACT SOCKET	COPPER ALLOY	GOLD PLATED
2	FEMALE INSERT	PUR	BLACK
1	CABLE, 22 AWG, 4C, PLTC, UNSHLD	PVC JACKET	GRAY

THIS DRAWING CONTAINS INFORMATION THAT IS PROPRIETARY TO MOLEX ELECTRONIC TECHNOLOGIES, LLC AND SHOULD NOT BE USED WITHOUT WRITTEN PERMISSION

SYMBOLS

▽ = 0	4 PLACES ±----	±----
▽ = 0	3 PLACES ±----	±----
▽ = 0	2 PLACES ±----	±----
▽ = 0	1 PLACE ±----	±----
▽ = 0	0 PLACES ±----	±----
▽ = 0	ANGULAR TOL ± ---- °	
▽ = 0	DRAFT WHERE APPLICABLE MUST REMAIN WITHIN DIMENSIONS	

GENERAL TOLERANCES (UNLESS SPECIFIED)

DIMENSION UNITS	SCALE
INCH/MM	1:1

CURRENT REV DESC: RELEASED

EC NO: 621375
DRWN: RSTONE 2019/07/16
CHK'D: MZIELINSKI 2019/07/29
APPR: BWOODMAN 2019/08/01

INITIAL REVISION:
DRWN: RSTONE 2019/07/16
APPR: BWOODMAN 2019/08/01

THIRD ANGLE PROJECTION

DRAWING C-SIZE

SERIES 120066

DOCUMENT NUMBER 1200662195

DOC TYPE PSD

DOC PART 000

REVISION A

MATERIAL NUMBER SEE P/N TABLE

CUSTOMER

SHEET NUMBER 1 OF 1

molex

M12 8 POLE FEM STR TO M12 5P MALE STR
22 AWG , GRAY PVC CABLE

PRODUCT CUSTOMER DRAWING