

Sensor/actuator cable - SAC-3P-M12MS/0,6-240/BI-1L-Z - 1438723

Please be informed that the data shown in this PDF Document is generated from our Online Catalog. Please find the complete data in the user's documentation. Our General Terms of Use for Downloads are valid (<http://phoenixcontact.com/download>)



Sensor/actuator cable, 3-position, PUR halogen-free, yellow, Plug straight M12, A-coded, on Valve connector BI (11 mm), with 1 LED, connected with Z diode, cable length: 0.6 m

The figure shows the SPEEDCON version with a black conductor



Key Commercial Data

Packing unit	1 pc
Minimum order quantity	25 pc
GTIN	
GTIN	4046356496698

Technical data

Dimensions

Length of cable	0.6 m
-----------------	-------

Ambient conditions

Degree of protection	IP65/IP67
----------------------	-----------

General

Rated current at 40°C	4 A
Rated voltage	24 V AC
	24 V DC
Number of positions	3
Insulation resistance	≥ 100 MΩ
Coding	A - standard
Status display	1 LED
Protective circuit/component	Z diode
Overvoltage category	III
Degree of pollution	3

Sensor/actuator cable - SAC-3P-M12MS/0,6-240/BI-1L-Z - 1438723

Technical data

General

Insertion/withdrawal cycles	≥ 100
-----------------------------	-------

Material

Flammability rating according to UL 94	HB
Contact material	CuSn
Contact surface material	Ni/Au
Contact carrier material	TPU GF
Material of grip body	TPU
Valve plug contact material	CuSn
Valve plug contact surface material	Sn
Valve plug contact insert material	PA 6.6
Material housing valve plug	TPU
Material, knurls	Zinc die-cast, nickel-plated
Sealing material	TPU (Seal molded)

Standards and Regulations

Flammability rating according to UL 94	HB
--	----

Cable

Cable type	PUR halogen-free yellow
Cable type (abbreviation)	240
Cable abbreviation	Li9Y11Y
UL AWM style	20549 (80°C/300 V)
Conductor cross section	3x 0.5 mm ²
AWG signal line	20
Conductor structure signal line	28x 0.15 mm
Core diameter including insulation	1.46 mm ±0.02 mm
Thickness, insulation	≥ 0.21 mm
Wire colors	black 1, black 2, green/yellow
Overall twist	3 wires, twisted
External sheath, color	yellow
Outer sheath thickness	approx. 0.6 mm
External cable diameter D	4.5 mm ±0.15 mm
Cable weight	30 kg/km
Outer sheath, material	PUR
Material conductor insulation	PP
Conductor material	Bare Cu litz wires
Insulation resistance	≥ 10 GΩ*km
Conductor resistance	≤ 39 Ω/km
Nominal voltage, cable	≤ 300 V
Test voltage, cable	≥ 3000 V
Flame resistance	in accordance with DIN UL-Style 20549

Sensor/actuator cable - SAC-3P-M12MS/0,6-240/BI-1L-Z - 1438723

Technical data

Cable

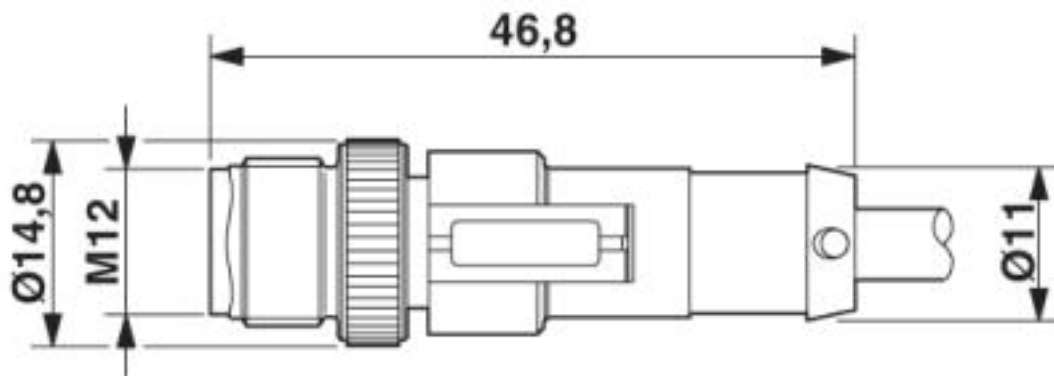
Halogen-free	in accordance with DIN VDE 0472 part 815
Ambient temperature (operation)	-15 °C ... 80 °C (cable, fixed installation)

Environmental Product Compliance

China RoHS	Environmentally Friendly Use Period = 50
	For details about hazardous substances go to tab "Downloads", Category "Manufacturer's declaration"

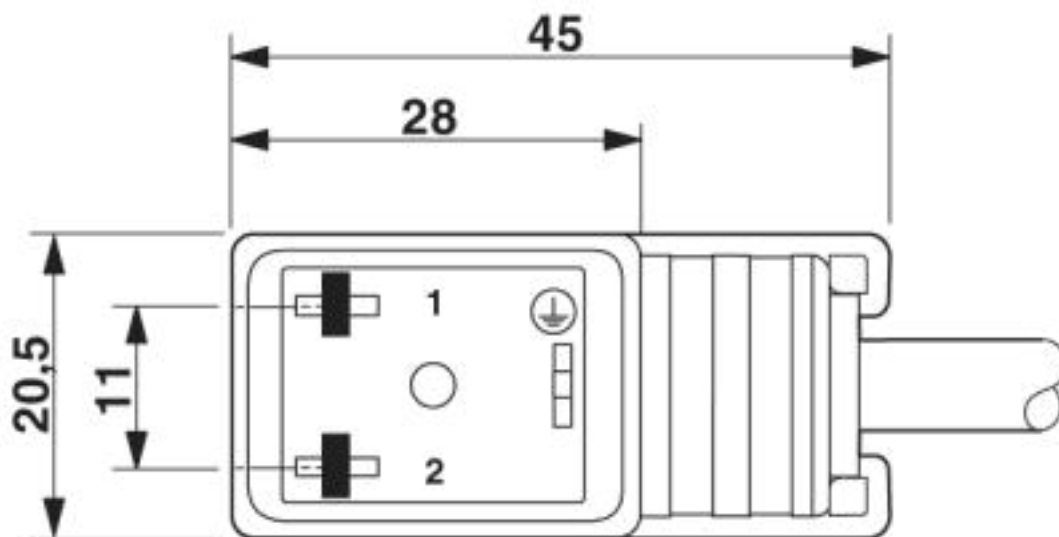
Drawings

Dimensional drawing



Plug, M12 x 1, straight, shielded

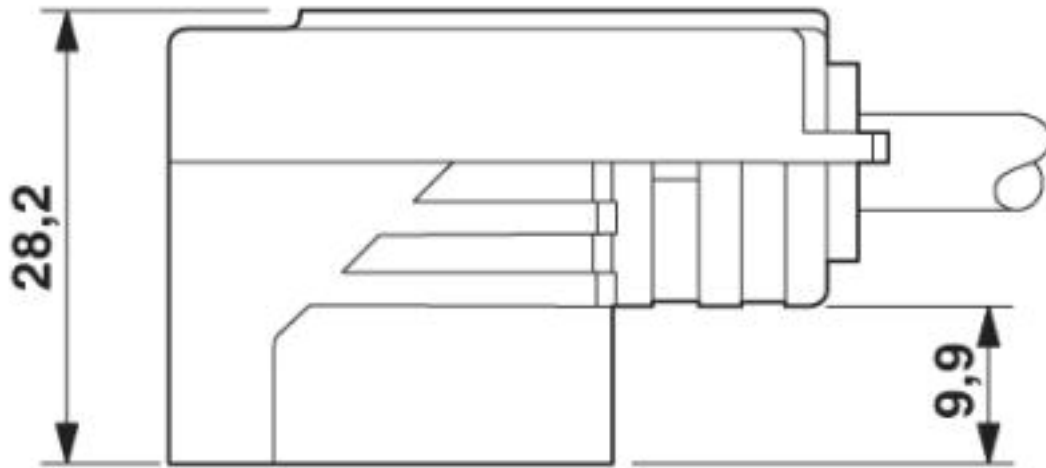
Dimensional drawing



Valve connector, type BI

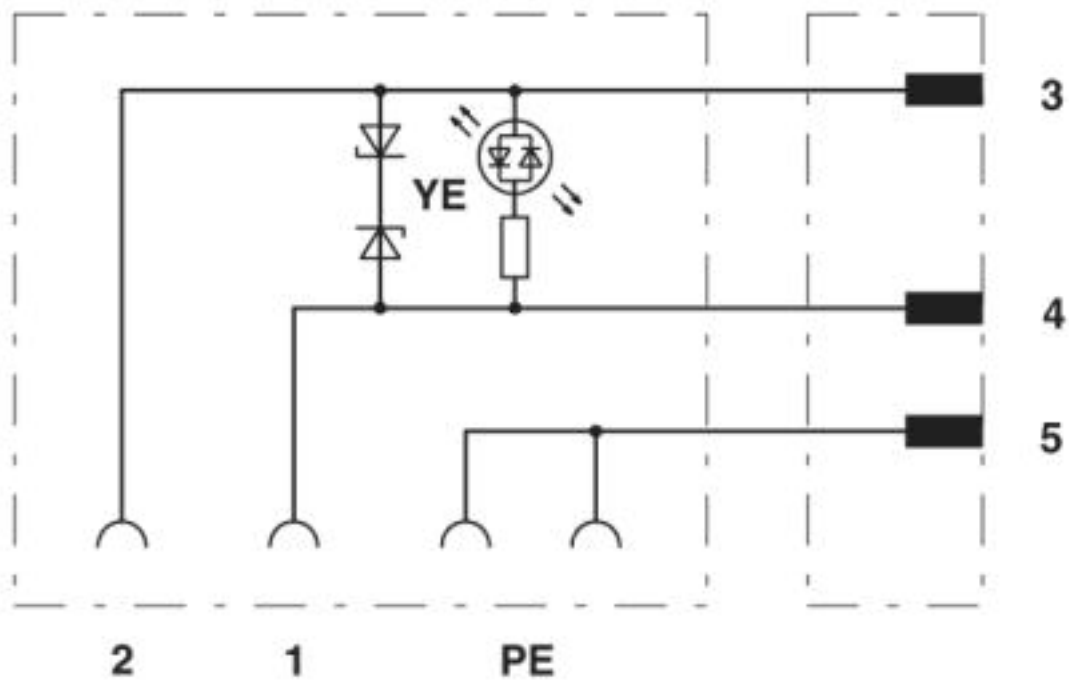
Sensor/actuator cable - SAC-3P-M12MS/0,6-240/BI-1L-Z - 1438723

Dimensional drawing



Valve connector, type BI, side view

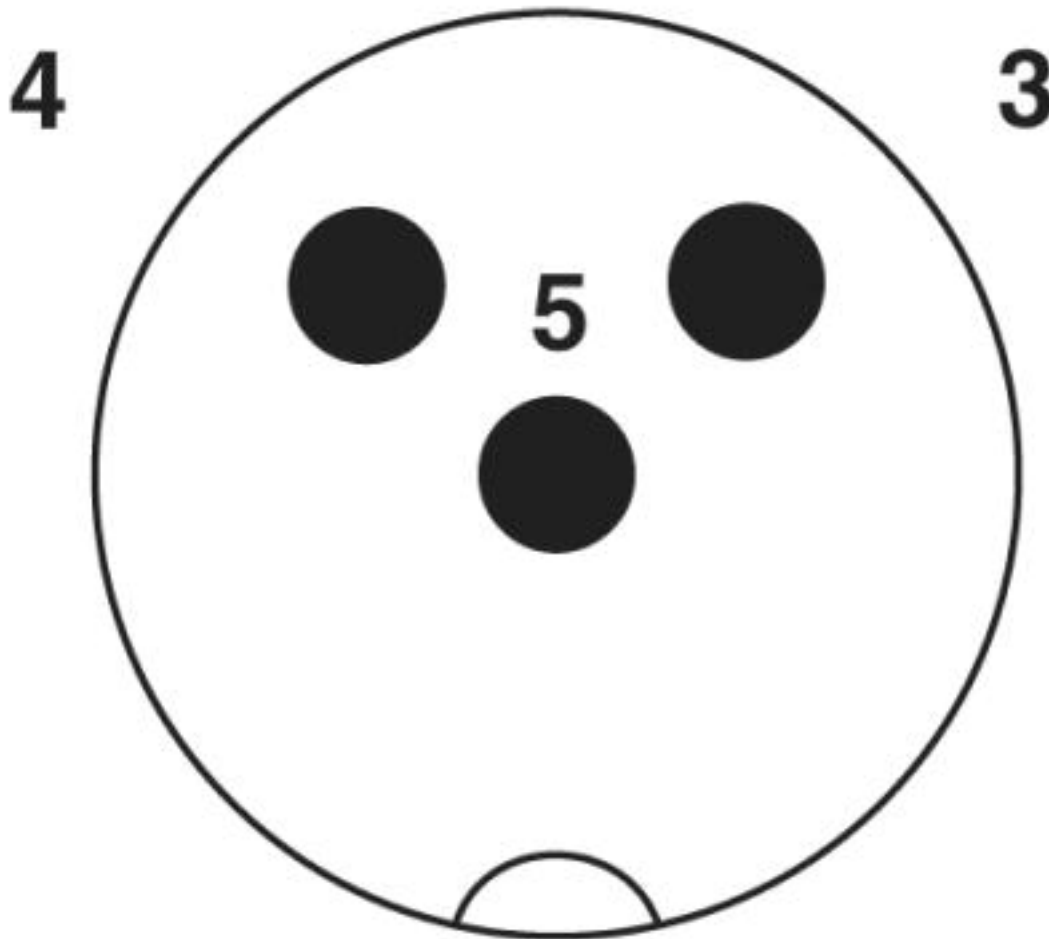
Circuit diagram



Contact assignment of M12 plug and valve connector

Sensor/actuator cable - SAC-3P-M12MS/0,6-240/BI-1L-Z - 1438723

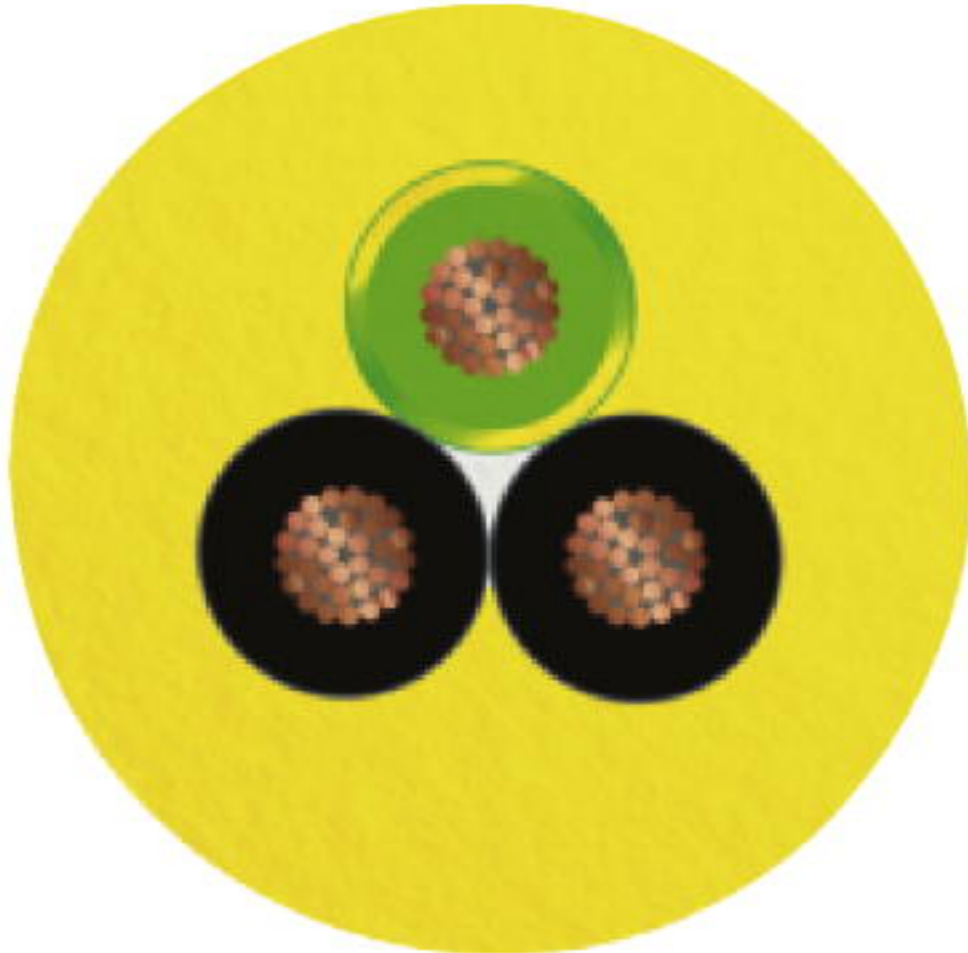
Schematic diagram



Pin assignment M12 plug, 3-pos., valve connector

Sensor/actuator cable - SAC-3P-M12MS/0,6-240/BI-1L-Z - 1438723

Cable cross section



PUR halogen-free yellow [240]

Phoenix Contact 2019 © - all rights reserved
<http://www.phoenixcontact.com>

PHOENIX CONTACT GmbH & Co. KG
Flachsmarktstr. 8
32825 Blomberg
Germany
Tel. +49 5235 300
Fax +49 5235 3 41200
<http://www.phoenixcontact.com>