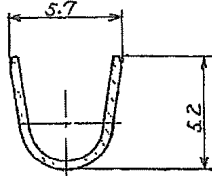
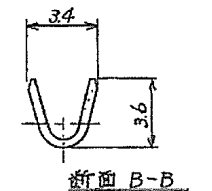
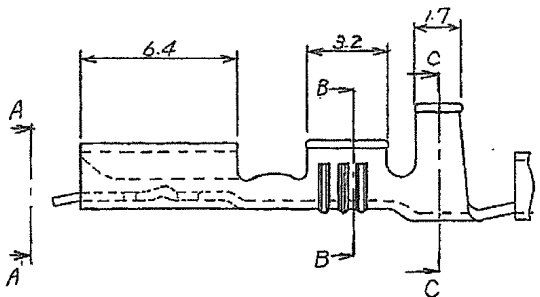
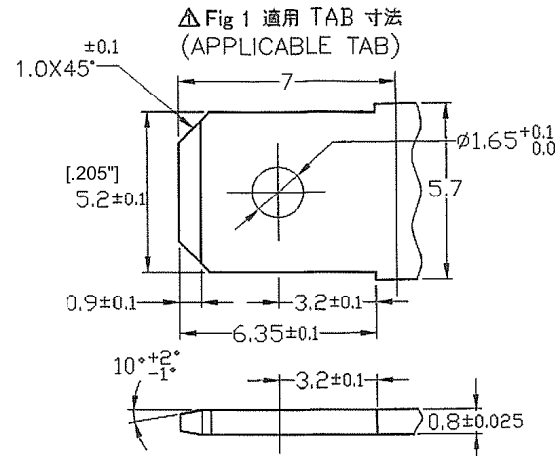
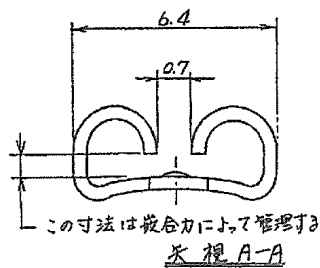
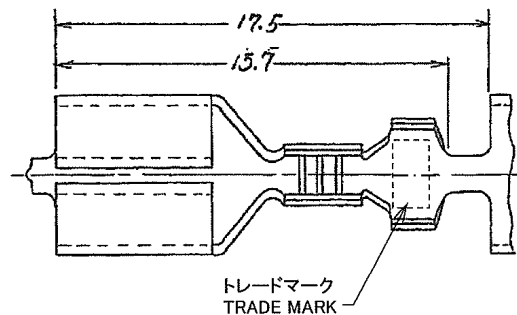


THIS DRAWING IS UNPUBLISHED. RELEASED FOR PUBLICATION .1974.
 © COPYRIGHT BY TYCO ELECTRONICS CORPORATION. ALL RIGHTS RESERVED.

LOC	DIST	REVISIONS					
J	-	P	LTR	DESCRIPTION	DATE	DWN	APVD
		C	REVISED	ECR-07-011381	18MAY'07	J.S	S.M
		C1	REVISED PER	ECR-19-013810	13SEP2019	BDA	DH



注.
 △. 適用 TAB 寸法については Fig 1 を参照のこと。
 △. ストレス除去処理
 処理法により外観が変わります。
 不活性ガス加熱方式.....無光沢
 大気加熱方式.....光沢

NOTES
 △. FOR APPLICABLE TAB, SEE Fig 1.
 △. STRESS RELIEVING
 FINISH IS SUBJECT TO CHANGE BY THE TYPE OF
 STRESS RELIEVING PROCESS
 INERT GAS FURNACE ----- MATTE
 ATMOSPHERIC FURNACE FOLLOWED BY ACID PICKLE ----- BRIGHT

BRASS	MATTE, TIN-PLATED	170179-2	170180-2	電鍍 0.4t	電気鍍 0.2t	108-5007
BRASS	MATTE OR BRIGHT (TE PLANT CHOICE), UNPLATED	170179-1	170180-1	電鍍 0.4t	---	108-5007
BASE MATERIAL	FINISH	型番	LP型番	材質	仕上	製品規格番号

<small>THIS DRAWING IS A CONTROLLED DOCUMENT FOR AND INCORPORATED IT IS SUBJECT TO CHANGE AND THE CONTROLLING ENGINEERING ORGANIZATION SHOULD BE CONTACTED FOR THE LATEST REVISION.</small>		DWN T. Hatano 16 JUL 2006 CHK An Sugita 18 JUL 06 APVD [Signature] 13 DEC 06	
DIMENSIONS: 単位: 稀 mm 	TOLERANCES UNLESS OTHERWISE SPECIFIED: 一般公差 100% ±0.25 50% ±0.2 20% ±0.15 HOLE ±0.04 110°	WIRE RANGE 18-20 AWG 0.95~2.27 mm ² (AWG #18-14)	INSULATION DIA 0.30~0.46 mm (.120~.180 IN)
MATERIAL 材料 表参照 (SEE TABLE) FINISH 仕上 表参照 (SEE TABLE)		PRODUCT SPEC 表参照 (SEE TABLE) APPLICATION SPEC 取付適用規格	NAME 名称 "205" SERIES FASTON RECEPTACLE "205"シリーズファストンレセプタクル
WEIGHT - CUSTOMER DRAWING		SIZE A3 CAGE CODE 00779 DRAWING NO. C-170179	RESTRICTED TO - SCALE 尺規 - SHEET 1 of 1 REV C1