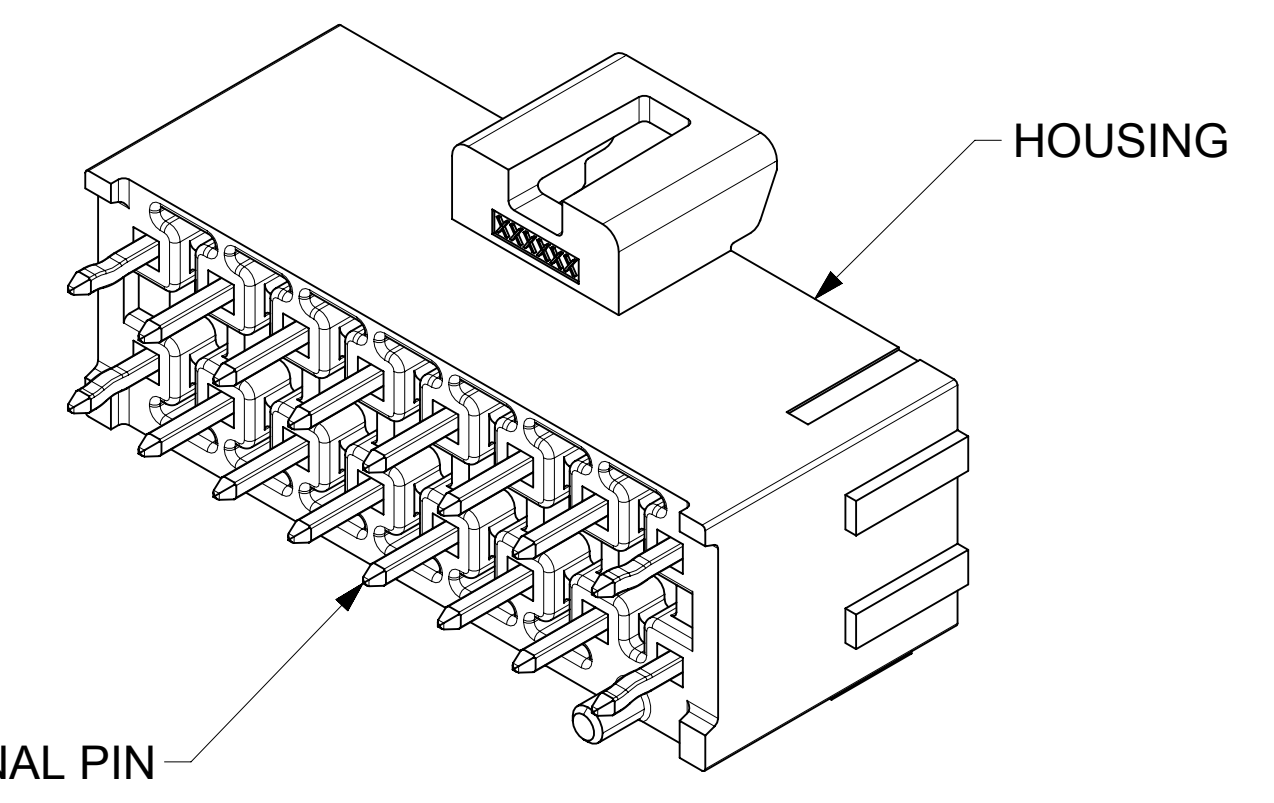
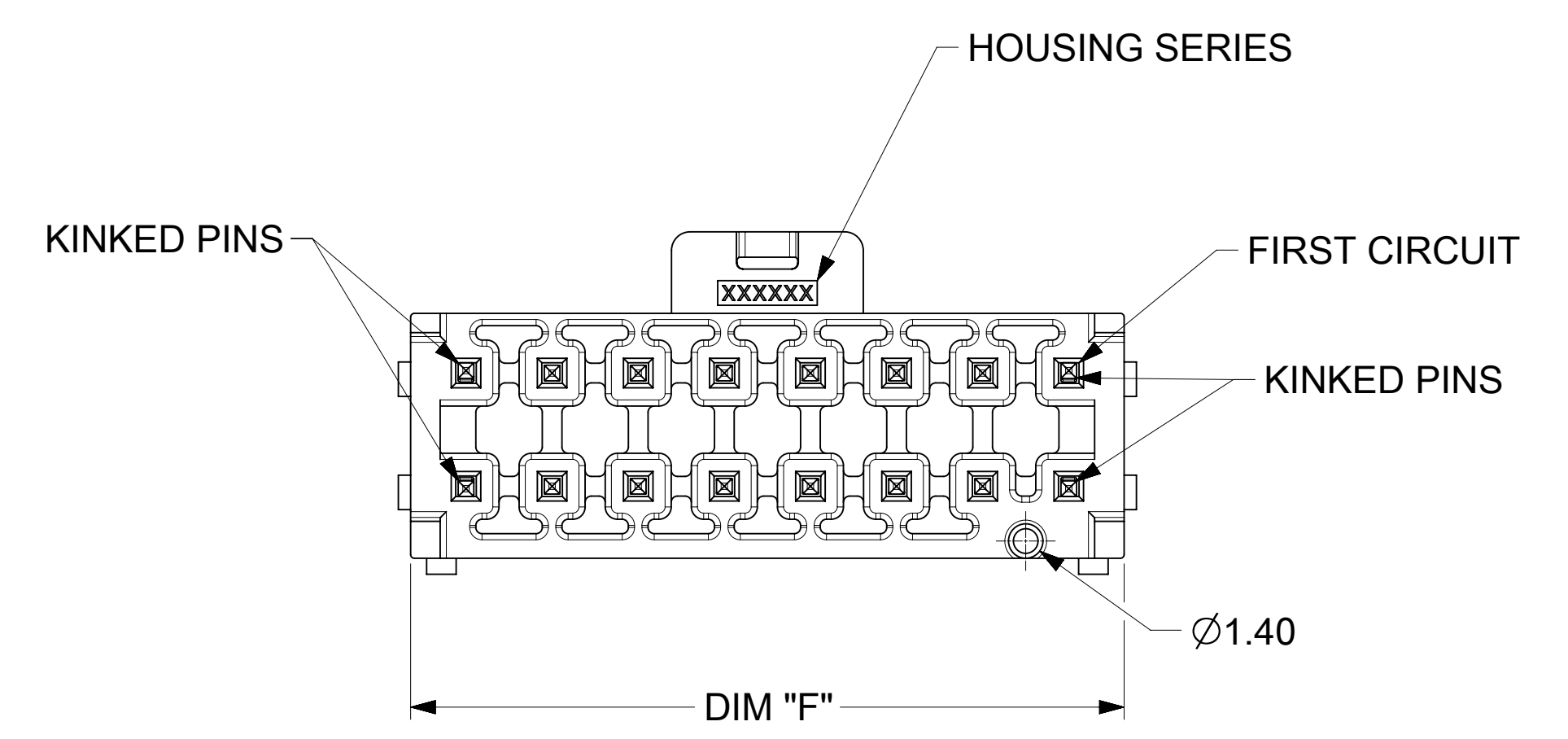
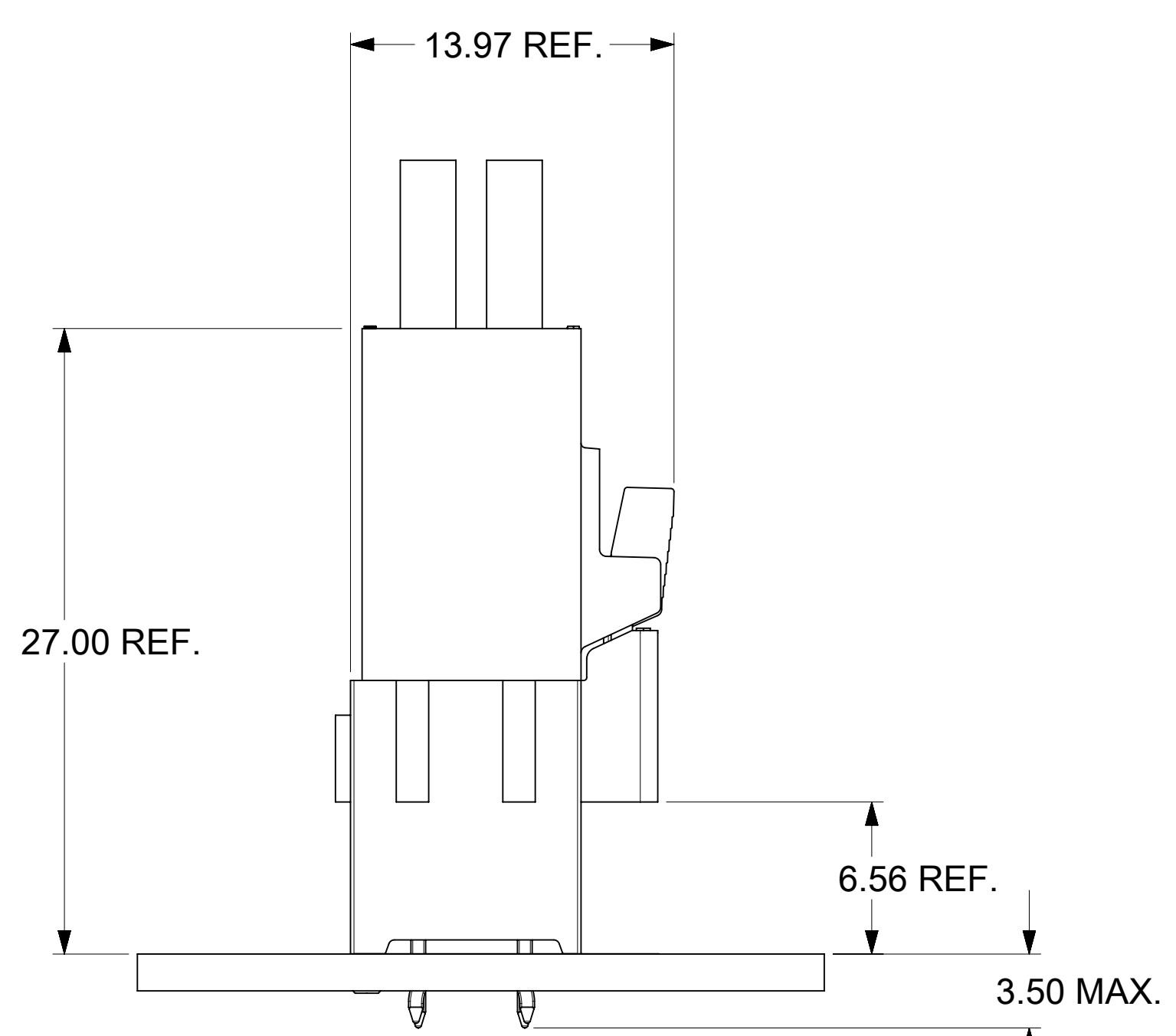


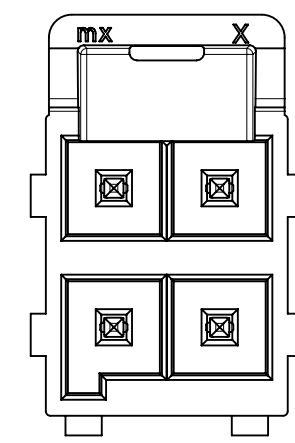
SECTION Y-Y
SCALE 8:1



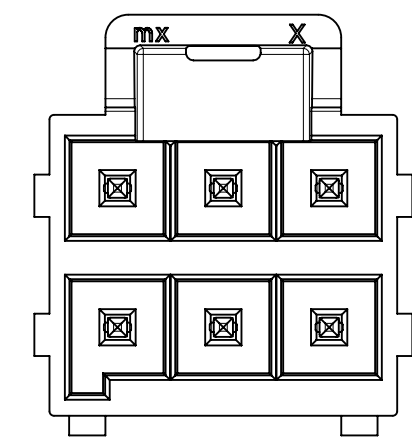
- NOTES:
- MATERIAL :
HOUSING
OPTION 1: LCP BLACK, UL94 V-0
OPTION 2: LCP NATURAL, UL94 V-0
TERMINAL: COPPER ALLOY
 - PLATING FINISH:
OPTION 1 - 1.52µm(60µin)-2.54µm(100µin) TIN OVER,
1.27µm(50µin)-2.54µm(100µin) NICKEL OVERALL,
OPTION 2 - 0.38µm(15µin) GOLD CONTACT AREA,
1.52µm(60µin)-2.54µm(100µin) TIN TAIL AREA OVER,
1.27µm(50µin)-2.54µm(100µin) NICKEL OVERALL.
OPTION 3 - 0.76µm(30µin) GOLD CONTACT AREA,
1.52µm(60µin)-2.54µm(100µin) TIN TAIL AREA OVER,
1.27µm(50µin)-2.54µm(100µin) NICKEL OVERALL.
 - PACKAGE SPECIFICATION REFER TO CHART IN SHEET 3.
 - PRODUCT SPECIFICATION PS-172323-0001.
 - PART MATES WITH MOLEX RECEPTACLE HOUSING 172258 AND 172262.
 - PART CONFORMS TO CLASS "C" REQUIREMENTS OF SPECIFICATION PS-45499-002 WITH 0.13 MM MAXIMUM FLASH ALLOWED IN CORE HOLES AND FRONT SURFACE.
 - DISCOLORATION IN THE BANDOLIER AREA OF THE PIN IS INHERENT TO THE PLATING PROCESS AND IS DUE TO THE MASKING EFFECT OF THE CARRIER. THIS DISCOLORATION IS IN A NON-FUNCTIONAL AREA OF THE PIN AND WILL NOT AFFECT THE PERFORMANCE OF THE HEADER ASSEMBLY.
 - APPLICATION SPECIFICATION: AS-172323-0001



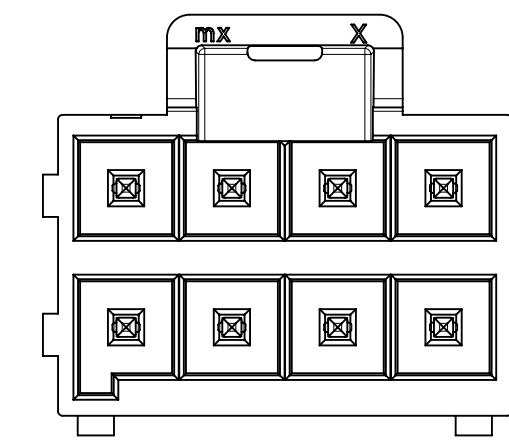
FUNCTIONAL SYMBOLS FA = 0 FE = 0 FP = 0	THIS DRAWING CONTAINS INFORMATION THAT IS PROPRIETARY TO MOLEX ELECTRONIC TECHNOLOGIES, LLC AND SHOULD NOT BE USED WITHOUT WRITTEN PERMISSION		CURRENT REV DESC:				
	DIMENSION UNITS	SCALE					
	mm	4:1			ULTRA-FIT VERT HEADER 4-16 CKTS DUAL ROW KINKED PINS		
	GENERAL TOLERANCES (UNLESS SPECIFIED)				PRODUCT CUSTOMER DRAWING		
ANGULAR TOL ± °				DOCUMENT NUMBER			
4 PLACES ±				SD-172298-1000			
3 PLACES ±				DOC TYPE DOC PART REVISION			
2 PLACES ± 0.25				PSD 000 D1			
1 PLACE ± 0.5				MATERIAL NUMBER			
0 PLACES ±				CUSTOMER			
DRAFT WHERE APPLICABLE MUST REMAIN WITHIN DIMENSIONS		THIRD ANGLE PROJECTION		DRAWING		SHEET NUMBER	
		D-SIZE		SERIES		1 OF 3	
				172298			
				GENERAL MARKET			



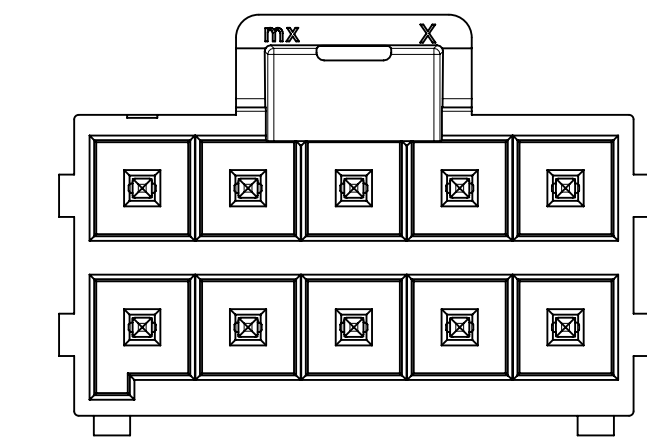
4 CKT



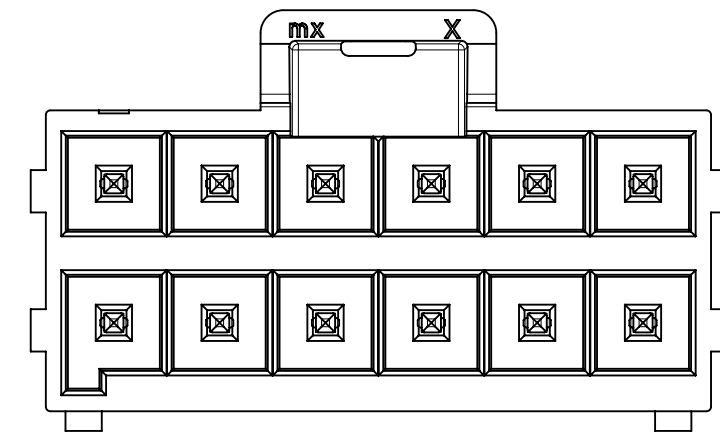
6 CKT



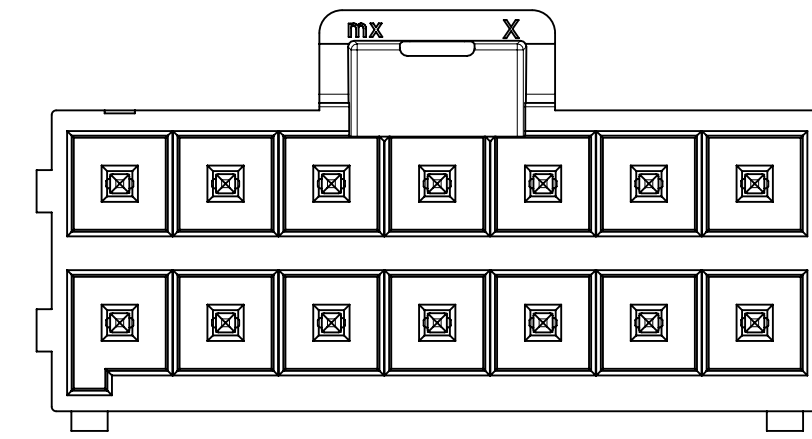
8 CKT



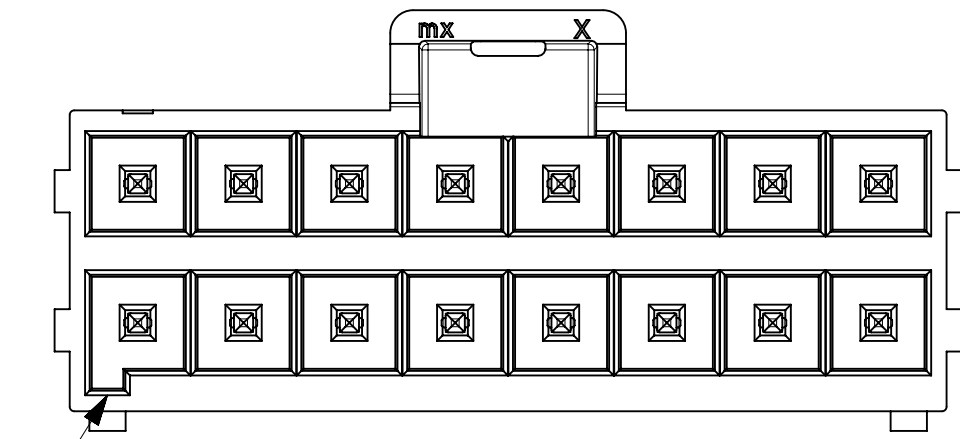
10 CKT



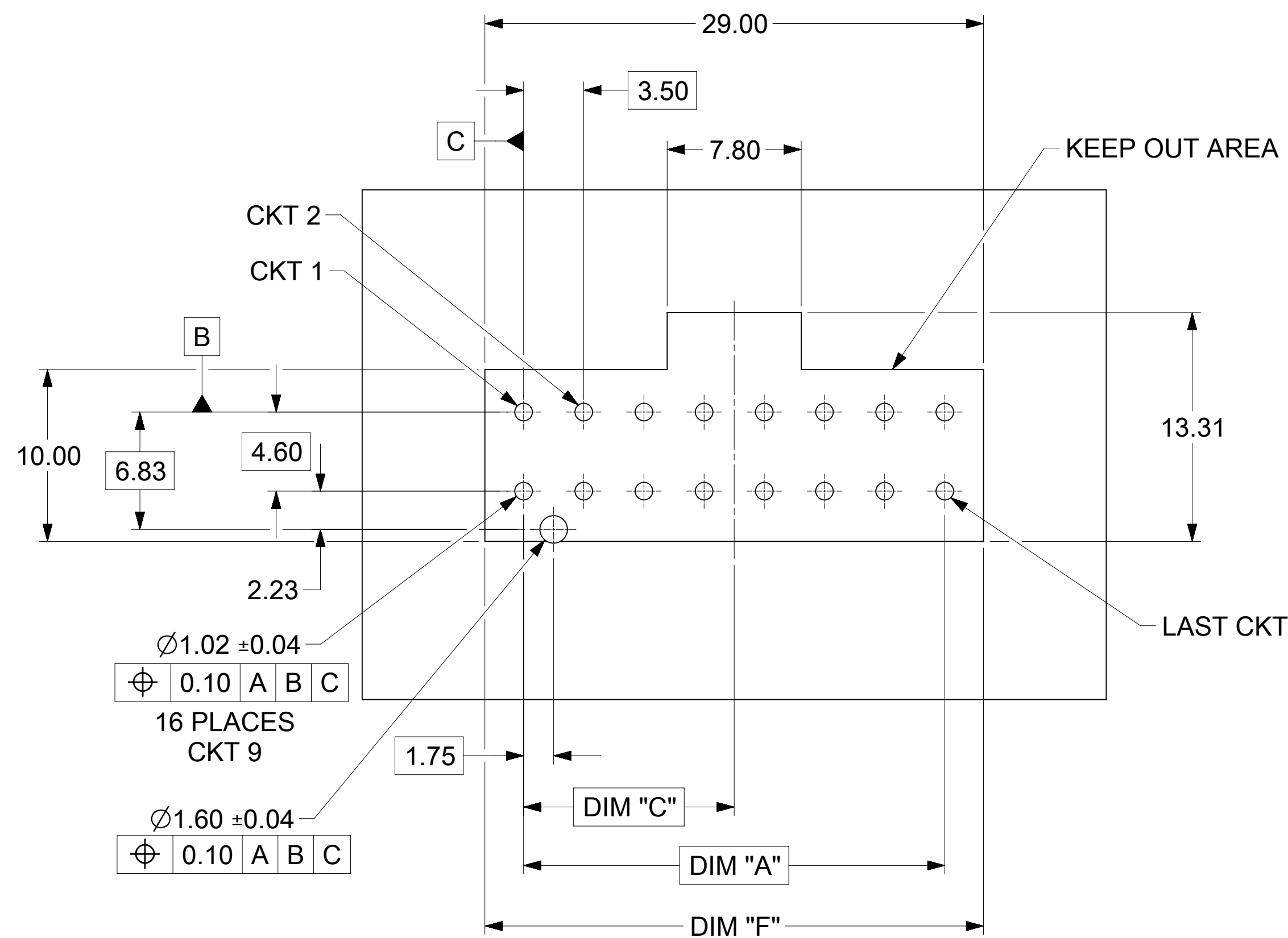
12 CKT



14 CKT



16 CKT



NOTE: DATUM -A- IS ON PCB COMPONENT SIDE

COLOR OPTION	BLACK	NATURAL
KAPTON OPTION	WITHOUT KAPTON	WITH KAPTON

FUNCTIONAL SYMBOLS FA = 0 FC = 0 FD = 0	THIS DRAWING CONTAINS INFORMATION THAT IS PROPRIETARY TO MOLEX ELECTRONIC TECHNOLOGIES, LLC AND SHOULD NOT BE USED WITHOUT WRITTEN PERMISSION		CURRENT REV DESC:	
	DIMENSION UNITS mm	SCALE 4:1		
DIVISIONAL SYMBOLS	GENERAL TOLERANCES (UNLESS SPECIFIED)		EC NO: 693485	
	ANGULAR TOL ± °		DRWN: GLLI	2022/01/21
	4 PLACES ±		CHK'D: XQZHANG	2022/01/26
	3 PLACES ±		APPR: XQZHANG	2022/01/26
	2 PLACES ± 0.25		INITIAL REVISION:	
1 PLACE ± 0.5		DRWN: DROSCA	2014/03/04	
0 PLACES ±		APPR: JCOMERCI	2014/04/24	
DRAFT WHERE APPLICABLE MUST REMAIN WITHIN DIMENSIONS		THIRD ANGLE PROJECTION	DRAWING D-SIZE	SERIES 172298
DOCUMENT STATUS P1		RELEASE DATE 2022/01/26 13:35:15	DOCUMENT NUMBER SD-172298-1000	
			DOC TYPE PSD	DOC PART 000
			REVISION D1	
			MATERIAL NUMBER GENERAL MARKET	
			CUSTOMER GENERAL MARKET	
			SHEET NUMBER 2 OF 3	

