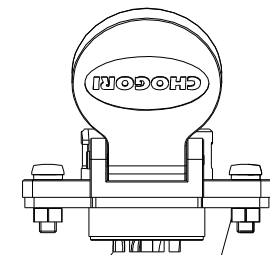
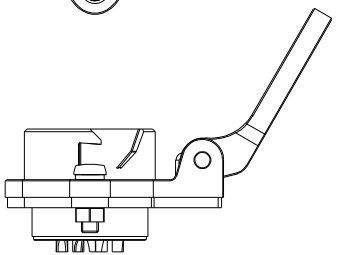
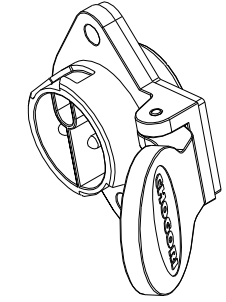
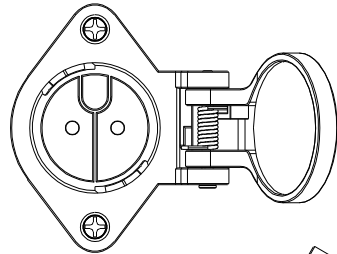
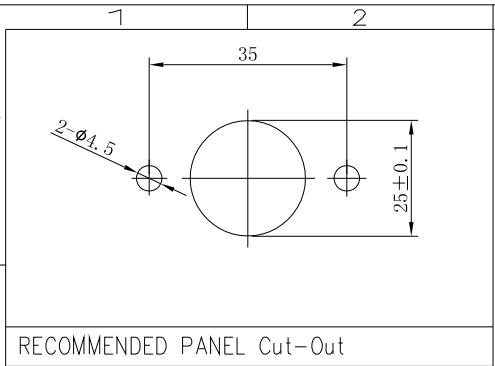


REV.	ECN NO.	DESCRIPTION	SIGN	DATE
C1	N/A	INITIAL DRAWING	Liu	2020/05/20

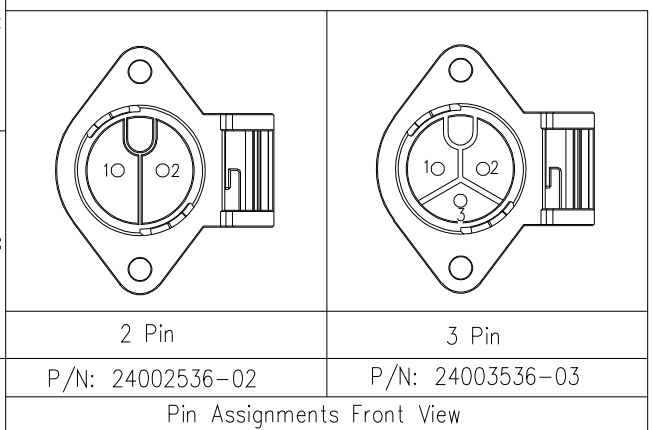


RECOMMENDED PANEL Cut-Out

22XXX536-0X
Pin Number

Connector Male Pin

- Specification:
- 1.Operation Temperature: -45°C~105°C.
 - 2.Insulation Resistance: 100MΩ at DC500V.
 - 3.Contact Resistance: <10mΩ.
 - 4.Withstand Voltage: 2000V AC
 - 5.Operating Current: 20A
 - 6.Operating Voltage: AC 300V
 - 7.Waterproof Rate: IP67 (Mated)
 - 8.Housing: Nylon, Black
 - 9.Male Pin: Copper Alloy, Gold Plated
 - 10.Gasket: Silicon Gray
 - 11.RoHS Compliant.
 - 12.Mating Cap P/N: 806-00058-00



UNIT:mm		DESCRIPTION	Large Series Push Lock Female socket With Male Pin	
TOLERANCE	.X ±0.25 .XX ±0.15 .XXX ±0.05 ANGLES ±1°	SCALE	1:1	SHEET 1 OF 1
REV.	C1	SIZE	A4	* :Inspection Item

CHOGORI

PART NO	22XXX536-0X	DRAWN BY	Liu	DATE	2020/05/20
DWG NO		CHECKED BY	Mo	DATE	2020/05/20
CUSTOMER		APPROVED BY	Adley	DATE	2020/05/20

THIS INFORMATION IS CONFIDENTIAL AND IS DISCLOSED TO YOU ON CONDITION THAT NO FURTHER DISCLOSURE IS MADE BY YOU TO OTHER THAN CHOGORI PERSONNEL WITHOUT AUTHORIZATION FROM CHOGORI CORP.