

推奨基板穴寸法 (部品実装面、基板厚: 1.6)
PCB LAYOUT (COMPONENT SIDE, THK=1.6)

注記:
NOTES

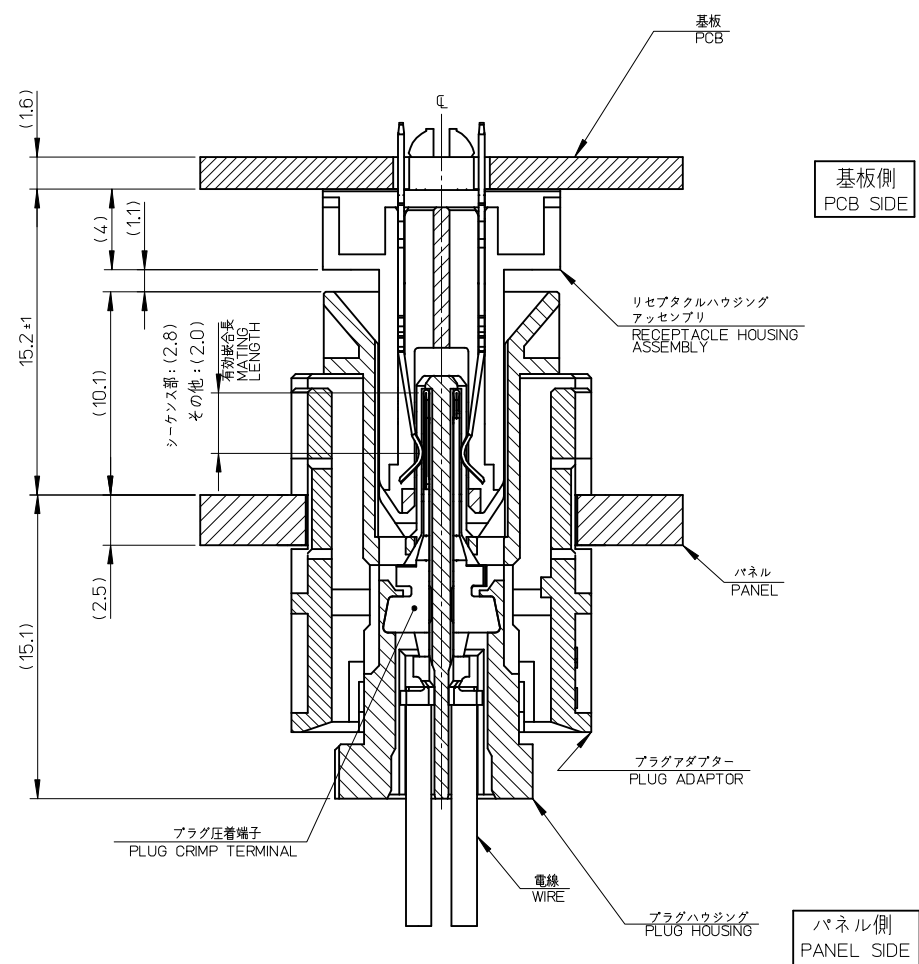
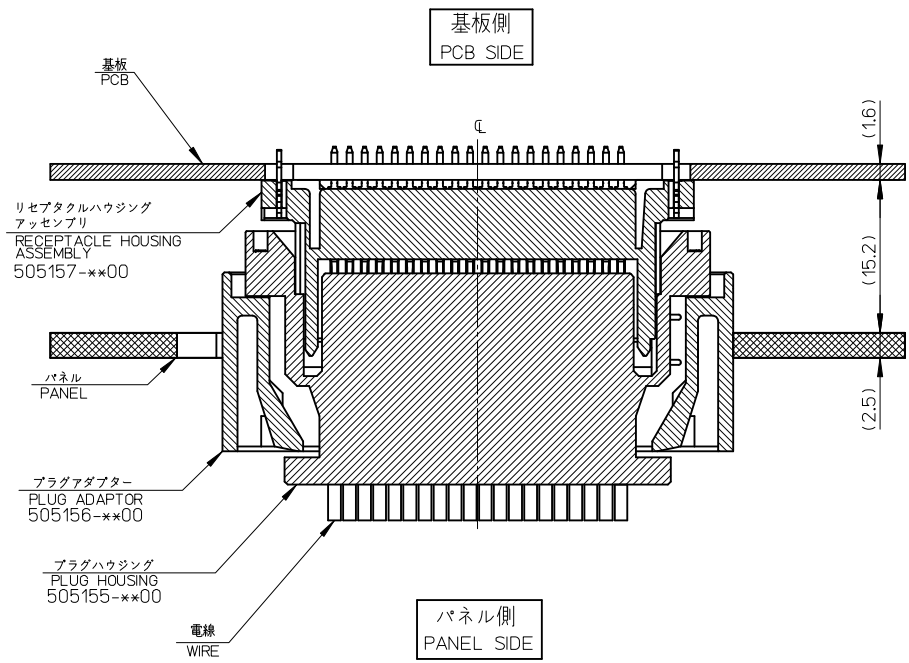
- 材質 MATERIAL
ハウジング: ポリエステル (PBT)、ガラス充填、UL94V-0、黒色
HOUSING: POLYETHYLENE (PBT), GLASS FILLED, UL94V-0, BLACK
ターミナル: 銅合金 (t=0.3)
TERMINAL: COPPER ALLOY (t=0.3)
金具: りん青銅 (t=0.48)
METAL PEG: PHOSPHOR BRONZE (t=0.48)
- メッキ仕様 FINISHES
ターミナル TERMINAL
接点部: ニッケル下地金メッキ
CONTACT AREA: GOLD OVER NICKEL PLATING.
金メッキ 0.1マイクロメートル以上
GOLD 0.1 MICROMETERS MINIMUM
ニッケル下地メッキ 1.0マイクロメートル以上
NICKEL 1.0 MICROMETERS MINIMUM
半田付け部: ニッケル下地錫メッキ
SOLDER TAIL: TIN OVER NICKEL PLATING
錫メッキ 1.0マイクロメートル以上
TIN 1.0 MICROMETERS MINIMUM
ニッケル下地メッキ 1.0マイクロメートル以上
NICKEL 1.0 MICROMETERS MINIMUM
金具: ニッケル下地錫メッキ
METAL PEG: TIN OVER NICKEL PLATING
錫メッキ 1.0マイクロメートル以上
TIN 1.0 MICROMETERS MINIMUM
ニッケル下地メッキ 1.0マイクロメートル以上
NICKEL 1.0 MICROMETERS MINIMUM
- 嵌合相手: 505155**00
MATING CONNECTOR: 505155**00
- 製品仕様及び取り扱いについては、製品仕様書PS-505157-001及び、コネクタ取扱説明書AS-505157-001を参照願います。
PLEASE REFER TO PRODUCTS SPECIFICATION PS-505157-001 AND USER'S MANUAL AS-505157-001.
- ELV及びRoHS適合品。
ELV AND RoHS COMPLIANT.

| | | | | | | |
|------|------|------|----|---------------------|------------|----------------|
| 16.7 | 39.5 | 28.5 | 43 | 5051574000 | 505157**00 | 40 |
| 15.2 | 36.5 | 25.5 | 40 | 5051573600 | | 36 |
| D | C | B | A | TRAY PACKAGE | MODEL NO. | 極数 CIRCUITS |
| | | | | オーダー番号 ORDER No. | | |

| | | | | | | | | |
|----------------------------------------------------------------------|-----------------------------------------|---------------------------------------|-------------------------------------------------------------------------------------------------------------------------------|-------------------------------|------------|---------------------------------------|--------------|------------------------|
| REVISED EC NO: J2016-0061 DRWN:SSAT002 CHKD: APPR:NUKITA | DESCRIPTION 2015/07/21 2015/07/21 | GENERAL TOLERANCES (UNLESS SPECIFIED) | | DIMENSION STYLE | | SCALE | DESIGN UNITS | THIRD ANGLE PROJECTION |
| | | | | MM ONLY | | 2:1 | METRIC | |
| | | 0.25 UNDER | ±0.03 | DRAWN BY | DATE | TITLE | | |
| | | 0.25 OVER 0.5 UNDER | ±0.05 | SSAT002 | 2014/07/25 | 1.5 FLOATING CONN. REC. HS'G ASS'Y | | |
| | | 0.5 OVER 1.0 UNDER | ±0.1 | CHECKED BY | DATE | | | |
| 1.0 OVER 10 UNDER | ±0.2 | KASAKAWA | 2014/08/22 | molex | | | | |
| 10 OVER 30 UNDER | ±0.25 | APPROVED BY | DATE | | | | | |
| 30 OVER | ±0.3 | NUKITA | 2014/09/02 | DOCUMENT NO. SD-505157-001 | | SHEET NO. 1 OF 2 | | |
| ANGULAR ±1 ° | | MATERIAL NO. SEE CHART | | | | | | |
| DRAFT WHERE APPLICABLE MUST REMAIN WITHIN DIMENSIONS | | SIZE A3 | THIS DRAWING CONTAINS INFORMATION THAT IS PROPRIETARY TO MOLEX INCORPORATED AND SHOULD NOT BE USED WITHOUT WRITTEN PERMISSION | | | | | |

10 9 8 7 6 5 4 3 2 1

嵌合図



Scale 4 : 1

| | | | | | | | | |
|----------------------------------------------------------------------|---------------------------------------|------------------------------------------------------|-----------------------------|-------------------------------------------------------------------------------------------------------------------------------|------------------------------------------------|------------------------|------------------------|--|
| REVISED EC NO: J2016-0061 DRWN:SSAT002 CHKD: APPR:NUKITA | GENERAL TOLERANCES (UNLESS SPECIFIED) | | DIMENSION STYLE MM ONLY | | SCALE 2:1 | DESIGN UNITS METRIC | THIRD ANGLE PROJECTION | |
| | 0.25 UNDER | ±0.03 | DRAWN BY SSAT002 | DATE 2014/07/25 | TITLE 1.5 FLOATING CONN. REC. HS'G ASS'Y | | | |
| | 0.25 OVER 0.5 UNDER | ±0.05 | CHECKED BY KASAKAWA | DATE 2014/08/22 | | | | |
| | 0.5 OVER 1.0 UNDER | ±0.1 | APPROVED BY NUKITA | DATE 2014/09/02 | | | | |
| | 1.0 OVER 10 UNDER | ±0.2 | MATERIAL NO. SEE SHEET 1 | DOCUMENT NO. SD-505157-001 | SHEET NO. 2 OF 2 | | | |
| 10 OVER 30 UNDER | ±0.25 | DRAFT WHERE APPLICABLE MUST REMAIN WITHIN DIMENSIONS | | THIS DRAWING CONTAINS INFORMATION THAT IS PROPRIETARY TO MOLEX INCORPORATED AND SHOULD NOT BE USED WITHOUT WRITTEN PERMISSION | | | | |
| 30 OVER | ±0.3 | | | | | | | |
| ANGULAR | ±1 ° | | | | | | | |

9 8 7 6 5 4 3 2 1