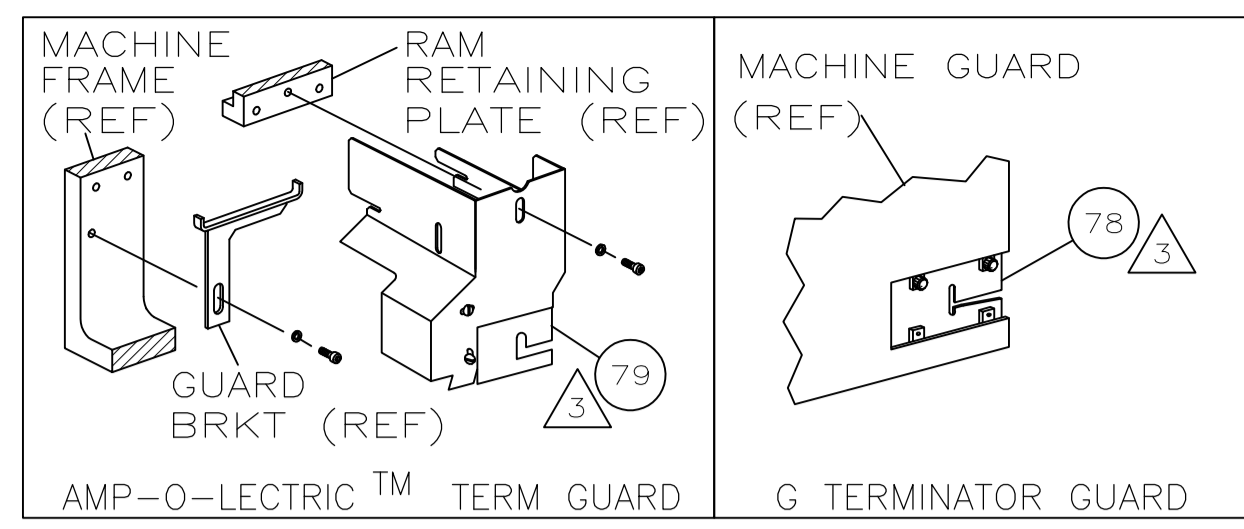


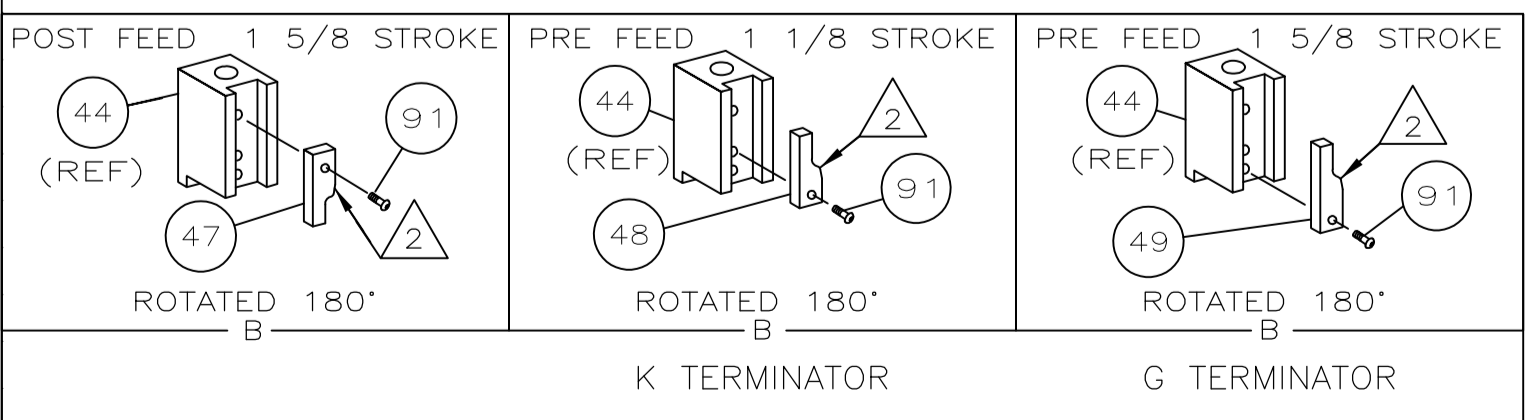
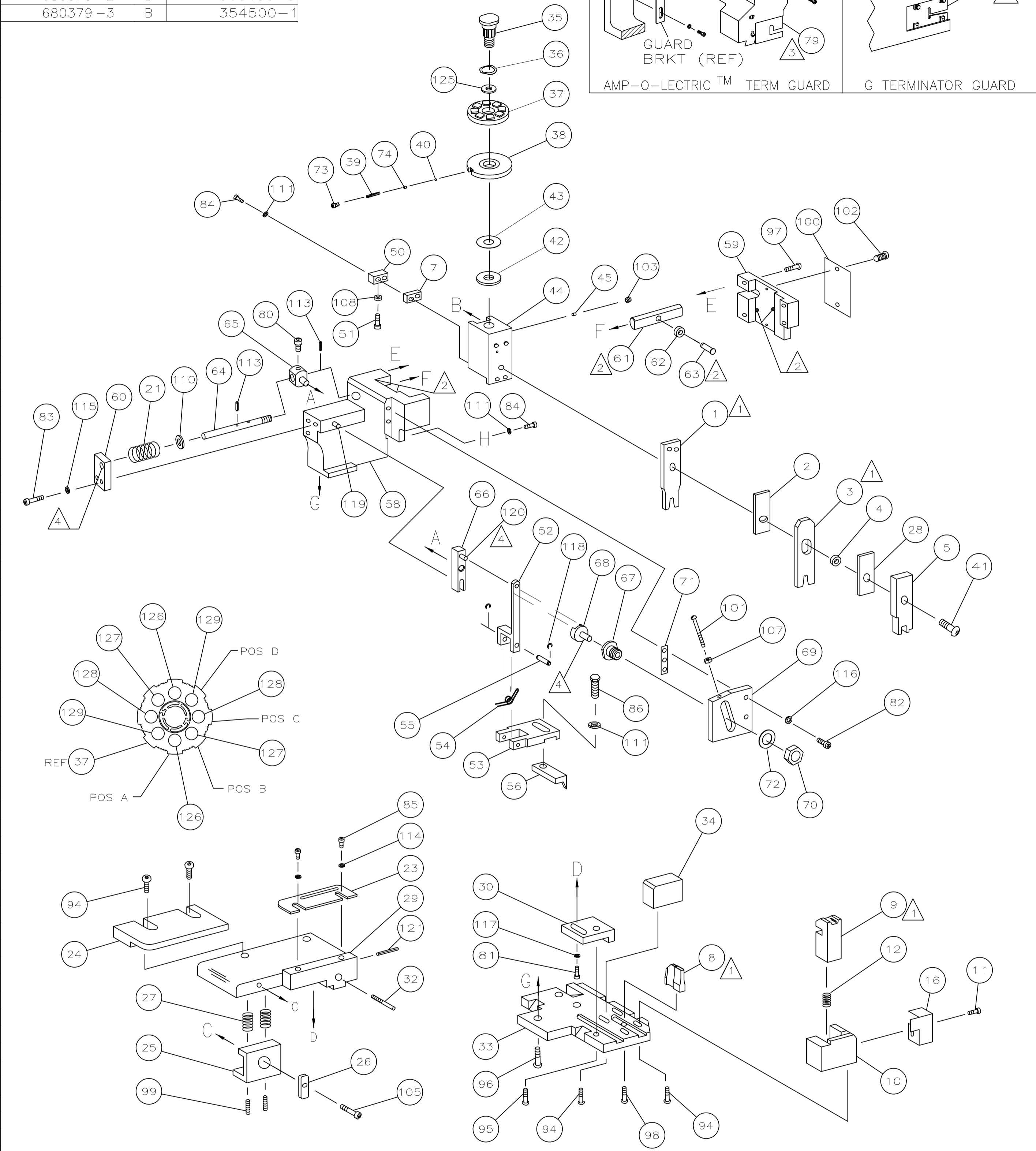
PART NUMBER	REV	FIRST USED
680379-1	B	122500-1
680379-2	B	565435-5
680379-3	B	354500-1



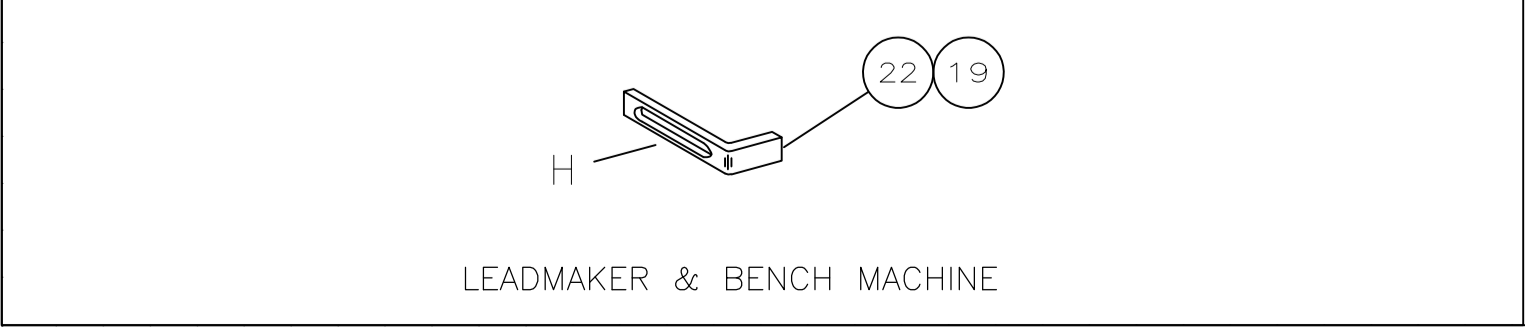
TERMINAL NAME: PIN & SOCKET		286527		CRIMPING DATA	
		286528		CRIMP HEIGHT	
		PAD LTR		WIRE SIZE	
		A		.059 ±.002 [1.5 ±0.05mm]	
		B		.057 ±.002 [1.45 ±0.05mm]	
		C		.055 ±.002 [1.4 ±0.05mm]	
		D		.053 ±.002 [1.35 ±0.05mm]	
AMP		MFG P/N		CRIMP SIZE	
286527		E7EB-14461-HB		TYPE	
286528		E7EB-14488-SA		RANGE	
		WIRE		.080 [2.03mm]	
		INSUL		.110 [2.79mm]	
WIRE STRIP LENGTH		TERM APPL SPEC		FEED	
-		NONE		.520	
		APPL INSTRUCTION		SET UP GAGE	
		408-8040		458637-1	
		LAYOUT		L1836	

LOC	DIST	REVIEWS			
A	66	DATE	BY	APPV	
		4-2008	MY	GB	

-1	LEADMAKER	MECH POST FEED
-2	BENCH MODEL K	MECH PRE FEED
-3	BENCH MODEL G	MECH PRE FEED



- ① RECOMMENDED SPARE PARTS.
- ② GREASE LIGHTLY.
- ③ GUARD MUST BE IN PLACE WHEN OPERATING APPLICATOR IN A BENCH MACHINE.
- ④ LUBRICATE DAILY USING NO. 20 MACHINE OIL.
- ⑤ ITEMS WITH QTY OF REF SPECIFIED (EXCEPT ITEMS 78 AND 79) ARE USED ON ITEM 46.
- ⑥ RECOMMENDED PER FORD SPEC
- ⑦ FEED IN SLOT



2	2	2	-	2-354779-2	PIN, WIRE DISC (.3100)D	129
2	2	2	-	1-354779-8	PIN, WIRE DISC (.3080)C	128
2	2	2	-	1-354779-4	PIN, WIRE DISC (.3060)B	127
2	2	2	-	354779-8	PIN, WIRE DISC (.3030)A	126
1	1	1	-	986950-1	WASHER, FLAT PRECISION	125
1	1	1	-	217238-1	GENERAL INSTRUCTION PACKAGE	124
1	1	1	-	4088040	SF APPL INST 408-8040	123
1	1	1	-	4-21028-0	PIN, SLT SPR(Ø.093x.75)ST GDE PL	122
REF	REF	REF	-	1-21030-1	PIN, DOWEL(Ø.187x.50)LEVER	120
REF	REF	REF	-	1-21030-6	PIN, DOWEL(Ø.187x1.25)HOUSING	119
REF	REF	REF	-	21045-3	RING, RET "C"(Ø.187)FD FING PIN	118
1	1	1	-	21024-5	WASHER, LOCK(#10)ADJ BLOCK	117
REF	REF	REF	-	21024-5	WASHER, LOCK(#10)ADJ PLATE	116
REF	REF	REF	-	21024-5	WASHER, LOCK(#10)FEED GDE ROD	115
2	2	2	-	21024-2	WASHER, LOCK(#4)FRONT STP GUIDE	114
REF	REF	REF	-	5-21028-1	PIN, SLT SPR(Ø.125x.50)ADJ ROD	113
4	4	4	-	21024-4	WASHER, LOCK(#8)STRIPPER	111
REF	REF	REF	-	21899-4	WASHER, FLAT(Ø5/16)SCREW ADJ	110
1	1	1	-	21018-5	NUT, HEX(NO.6)HOLDDOWN	108
REF	REF	REF	-	21018-5	NUT, HEX(6-32)FEED ADJ	107
1	1	1	-	22353-8	SCR, SHLD(Ø.187x.25)DRAG LEVER	105
1	1	1	-	21009-2	SCR, SKT SET(1/4-20x.25 LW)RAM	103
2	2	2	-	21017-2	SCR, DRIVE(#2x.19)ID PLATE	102
REF	REF	REF	-	6-23715-5	SCR, PAN HD(6-32x1.50)FEED ADJ	101
1	1	1	-	461264-1	PLATE, IDENTIFICATION	100
2	2	2	-	5-21006-6	SCR, SET(10-32x.75)DRAG	99
1	1	1	-	22733-8	SCR, BHC(8-32x.38 LW)ANVIL	98
REF	REF	REF	-	2-21002-9	SCR, BHC(10-32x.75)CAP	97
REF	REF	REF	-	2-22733-8	SCR, BHC(1/4-20x.62)HOUSING	96
REF	REF	REF	-	2-21002-7	SCR, BHC(10-32x.50)SG ADJ BLOCK	95
6	6	6	-	2-21002-2	SCR, BHC(8-32x.50)TERM H DWN	94
1	1	1	-	1-21002-7	SCR, BHC(6-32x.38)CAM	91
1	1	1	-	2-22603-0	SCR, HEX HD(8-32x.31)FEED FINGER	86
2	2	2	-	1-21000-3	SCR, SHC(4-40x.25)F ST GUIDE	85
3	3	3	-	2-21000-7	SCR, SHC(8-32x.50)STRIPPER	84
REF	REF	REF	-	3-21000-7	SCR, SHC(10-32x.75)FEED ROD GD	83
REF	REF	REF	-	3-21000-6	SCR, SHC(10-32x.62)FD ADJ BLK	82
1	1	1	-	3-21000-4	SCR, SHC(10-32x.38)SG ADJ BL	81
REF	REF	REF	-	3-21000-4	SCR, SHC(10-32x.38)PIVOT BLK	80
-	REF	-	-	455749-1	GUARD, WINDOW	79
REF	-	-	-	679532-1	INSERT, GUARD	78
1	1	1	-	690603-1	SPRING, ASSIST	74
1	1	1	-	23030-1	SCR, SHC(6-32x.25 SL)JNS DISC	73
REF	REF	REF	-	458109-1	WASHER, SPECIAL	72
REF	REF	REF	-	690517-1	SPACER	71
-3	-2	-1	U/M	PART NO	DESCRIPTION	ITEM NO
QTY REQD PER ASSY				PARTS LIST		

REF	REF	REF	-	22594-8	NUT, HEX(1/2-20)	70
REF	REF	REF	-	240628-1	PLATE, ADJUSTMENT	69
REF	REF	REF	-	240626-1	SHAFT, PIVOT	68
REF	REF	REF	-	240633-1	BUSHING	67
REF	REF	REF	-	455680-1	LEVER, INTERMEDIATE	66
REF	REF	REF	-	240629-1	BLOCK, PIVOT	65
REF	REF	REF	-	240632-2	SCREW, ADJ FEED ROD	64
REF	REF	REF	-	240659-3	PIN, CAM ROLLER	63
REF	REF	REF	-	240658-1	ROLLER, CAM	62
REF	REF	REF	-	454398-2	ROD, FEED	61
REF	REF	REF	-	454178-1	GUIDE, FEED ROD	60
REF	REF	REF	-	454220-1	CAP, RAM	59
REF	REF	REF	-	454485-1	HOUSING	58
1	1	1	-	1-694433-6	PAWL, FEED	56
REF	REF	REF	-	240624-1	PIN, FEED FINGER	55
REF	REF	REF	-	691499-1	SPRING, FEED FINGER	54
REF	REF	REF	-	690541-1	HOLDER, FEED FINGER	53
REF	REF	REF	-	455679-2	LEVER, TERMINAL FEED ARM	52
1	1	1	-	811242-2	BUMPER, HOLDDOWN	51
1	1	1	-	690753-1	SPACER, TONKER	50
1	-	-	-	690602-6	CAM, PRE-FEED 1 5/8 ST	49
-	1	-	-	690602-5	CAM, PRE-FEED 1 1/8 ST	48
-	-	1	-	690501-4	CAM, POST-FEED 1 5/8 ST	47
1	1	1	-	459456-2	APPLICATOR, BASIC (SUBASSY)	46
1	1	1	-	690191-1	PLUG, NYLON	45
1	1	1	-	455673-1	RAM	44
1	1	1	-	690125-1	WASHER, LAMINATED	43
1	1	1	-	690124-1	WASHER, RAM	42
1	1	1	-	7-21002-9	BOLT, CRIMPER(5/16x1.00)	41
1	1	1	-	23241-6	BALL, STEEL	40
1	1	1	-	690170-1	SPRING, COMPRESSION	39
1	1	1	-	690142-1	DISC, INSULATION	38
1	1	1	-	354777-1	WIRE DISC, PLASTIC	37
1	1	1	-	22480-5	WASHER, SPRING	36
1	1	1	-	690212-1	POST, RAM	35
1	1	1	-	690786-6	SUPPORT, TERMINAL	34
REF	REF	REF	-	455675-1	PLATE, BASE	33
1	1	1	-	690432-3	SCREW, ADJUSTMENT	32
REF	REF	REF	-	455689-1	BLOCK, STRIP GUIDE ADJ	30
1	1	1	-	3-458144-3	PLATE, STRIP GUIDE	29
1	1	1	-	2-458888-7	SPACER, FRONT SHEAR DEP	28
2	2	2	-	1-22284-0	SPRING, DRAG	27
1	1	1	-	356835-1	LEVER, DRAG RELEASE	26
1	1	1	-	240792-1	DRAG, TERMINAL	25
1	1	1	-	5-690504-1	GUIDE, STRIP (REAR)	24
1	1	1	-	690438-1	GUIDE, STRIP (FRONT)	23
-	-	1	-	690472-2	STRIPPER	22
REF	REF	REF	-	4-22284-9	SPRING, FEED RETURN	21
1	1	-	-	691353-1	STRIPPER	20
1	1	1	-	318563-1	GUARD, CHIP, FRONT	16
1	1	1	-	3-22280-3	SPRING, SHEAR	12
1	1	1	-	690461-1	STOP, SHEAR	11
1	1	1	-	690459-1	HOLDER, SHEAR (FRONT)	10
1	1	1	-	454276-2	SHEAR, FLOAT (FRONT)	9
1	1	1	-	662186-3	ANVIL	8
1	1	1	-	1-240641-7	SPACER, DEPRESSOR (REAR)	7
1	1	1	-	1-455889-4	DEPRESSOR, SHEAR (FRONT)	5
1	1	1	-	1-238011-0	SPACER, BLOCK CRIMPER	4
1	1	1	-	9-456135-1	CRIMPER, INSULATION	3
1	1	1	-	1-455888-0	SPACER, CRIMPER	2
1	1	1	-	2-456405-9	CRIMPER, WIRE	1
-3	-2	-1	U/M	PART NO	DESCRIPTION	ITEM NO
QTY REQD PER ASSY				PARTS LIST		

THIS DRAWING IS A CONTROLLED DOCUMENT. DIMENSIONS: INCHES. TOLERANCES UNLESS OTHERWISE SPECIFIED: 0 PLC ± .001, 1 PLC ± .002, 2 PLC ± .003, 3 PLC ± .005, 4 PLC ± .008. MATERIAL: -. FINISH: -. WEIGHT: F. SIZE: A1. SCALE: -. SHEET 1 OF 1. REV B. Tyco Electronics Corporation, Harrisburg, PA 17105-3608. SIDE FEED HDM APPLICATOR. CUSTOMER DRAWING.