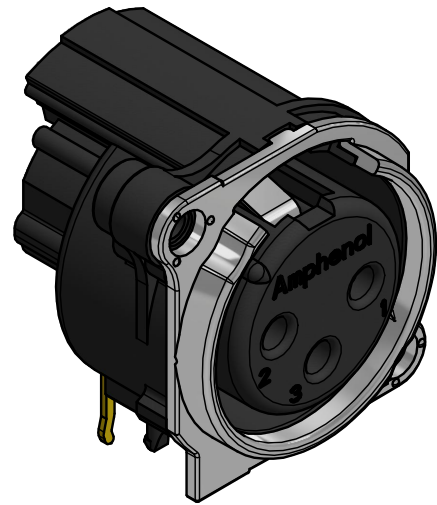
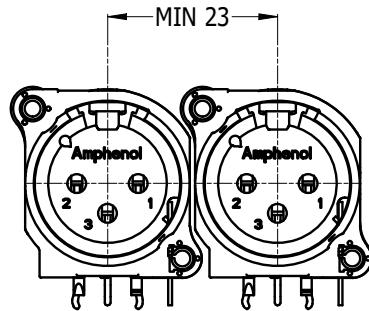
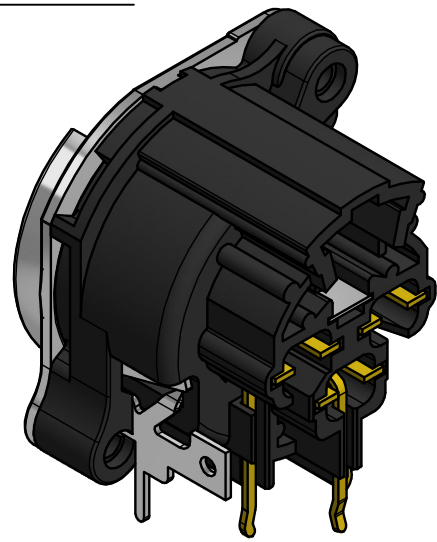


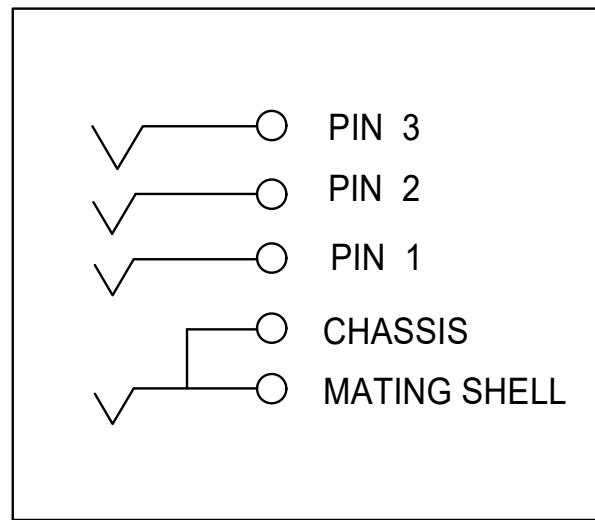
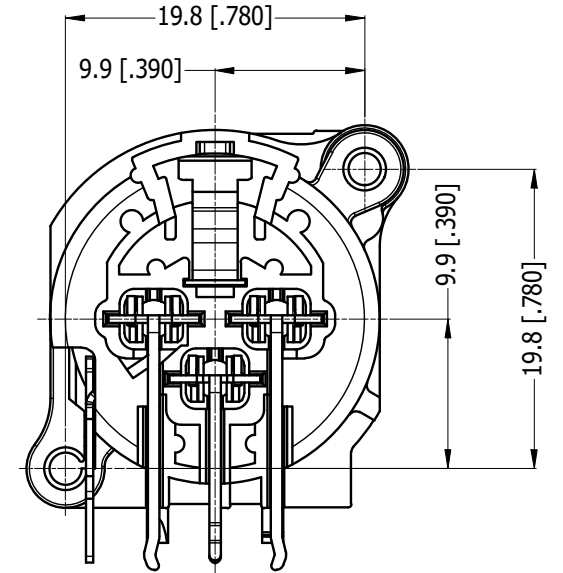
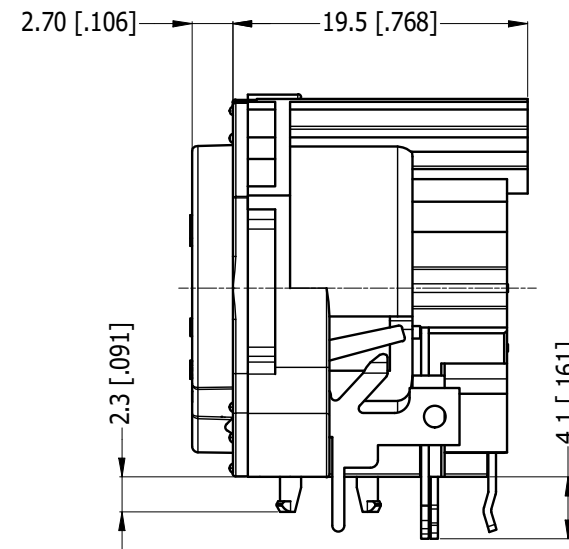
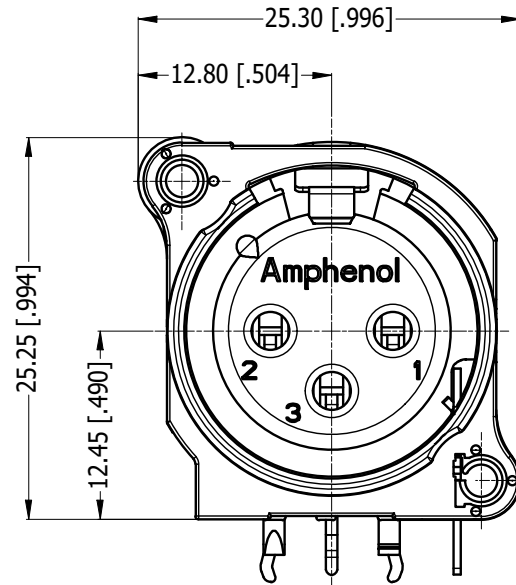
LEGEND = KEY PRODUCT CHARACTERISTICS



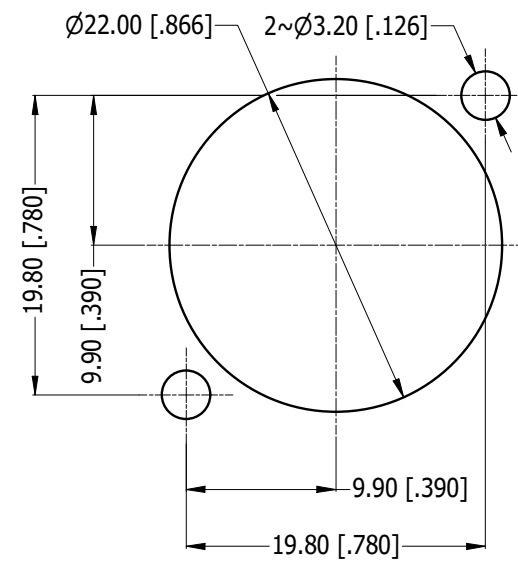
ISO VIEW



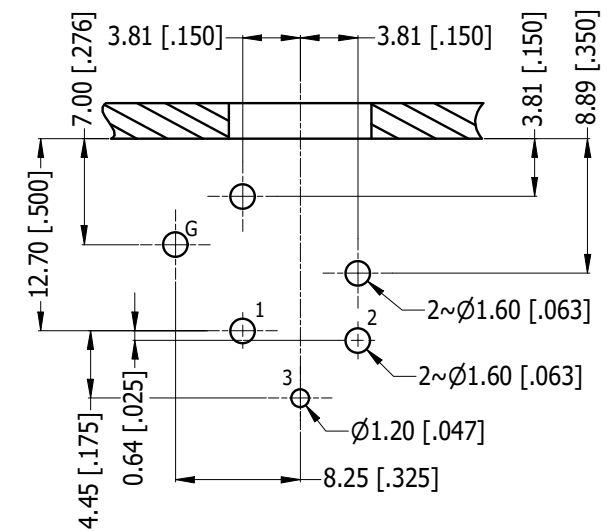
MIN MOUNTING PITCH  
SCALE 1:1



SCHEMATIC CHART



PANEL CUT OUT  
REAR VIEW



PCB-LAYOUT  
COMPONENT SIDE  
TOLERANCE: ±0.05mm [.002"]

PART NUMBER TABLE	
PART NUMBER	METAL FLANGE FINISH
AC3FBHL2-AU-PRE	SATIN NICKEL
AC3FBHL2-AU-PRE	MATT BLACK

REVISION HISTORY				
REV	DESCRIPTION	DATE	BY	CHG/No
0	FIRST ISSUE	26-10-20	MH	----
1	UPDATE DWG TO CORRECT GROUNDING	09-08-21	MH	----

UNLESS OTHERWISE SPECIFIED TOLERANCE TO BE		THIS DOCUMENT IS THE PROPERTY OF AMPHENOL AUSTRALIA PTY. LTD. NO PART THEREOF MAY BE REPRODUCED AND USED WITHOUT THE PRIOR WRITTEN CONSENT OF THE OWNER		
LINEAR	ANGULAR	MATERIAL: REFER TO COMPONENT	DRN: MH	DATE: 26-10-20
X ±0.5	X' ±1	BREAK ALL SHARP EDGES AND REMOVE ALL BURRS	CKD: MH	DATE: 09-08-21
X.X ±0.2	X.X' ±.30'	DO NOT SCALE	APP'D: PM	DATE: 09-08-21
X.XX ±0.1	X.XX' ±.15'	DIMENSIONS IN MILLIMETRES	SCALE: 2:1	SIZE: A3

**Amphenol** Amphenol Australia Pty.Ltd.  
22 Industry Blvd, Carrum Downs, VIC 3201

TITLE: **AC3FBHL2-AU-PRE HORIZONTAL FEMALE CUSTOMER DRAWING**

PART No: REFER TO TABLE

DRAWING NO. **55011433-000-2** SHEET **2/2**

CAD FILE: 55011433000220