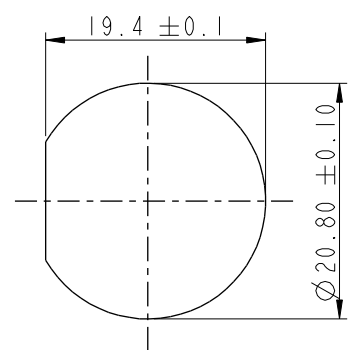
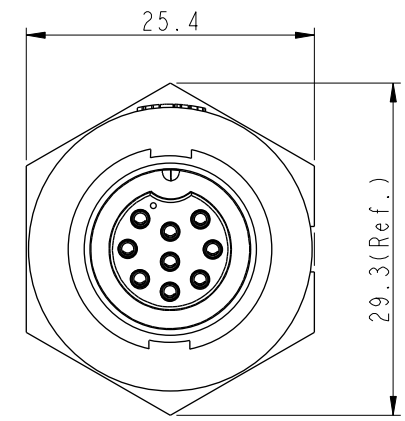
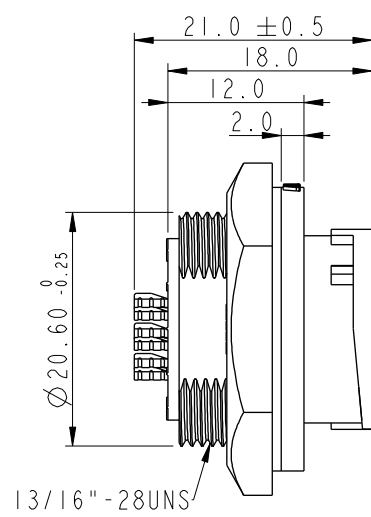
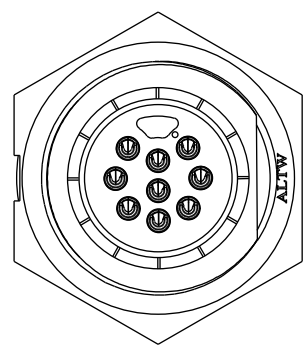


THIS DOCUMENT IS SUBJECT TO CHANGE WITHOUT NOTICE. IT IS CONFIDENTIAL AND A PROPERTY OF Amphenol LTW. DISCLOSURE TO THIRD PARTY HAS TO BE AUTHORIZED BY Amphenol LTW.

REV.	ECN NO.	DATE	SIGN	DESCRIPTION
B	C190348	2019/03/06	Vicky	Change Note

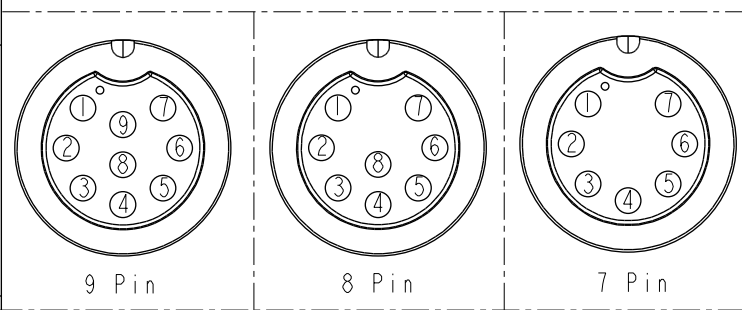
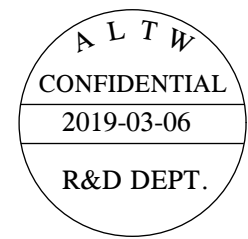


Recommended Panel  
Cut-Out



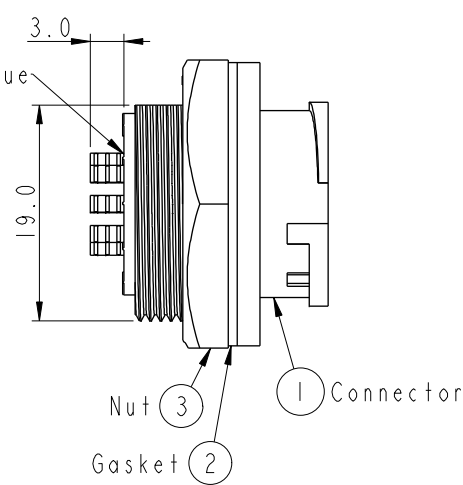
ACD-XXRMFS-LC7001

07: 7Pin  
:  
:  
09: 9Pin



Pin Assignments Front View

With Liquid Glue



- Note:**
- \* (CC) Important Dimension To Check.
  - \* Waterproof Rate: IP67, Unmated.
  - \* Housing: Thermoplastic, Black.
  - \* Pin: Copper Alloy, Gold Plated.
  - \* Nut: Thermoplastic, Black.
  - \* Gasket: Rubber, Gray.
  - \* Maximum Panel Thickness: 4.0mm
  - \* Gasket and Nut are packed separately in PE bags. (Gasket/Nut不組裝, 散裝出貨)

UNIT: mm		TITLE MIDDLE PANEL LOCK M CONN F PIN		
TOLERANCE		SCALE	SIZE	SHEET
.X ±0.25		3:2	A4	1 OF 1
.XX ±0.1		REV.	WC-REV.	
.XXX ±0.05		B	A.2	(CC): Inspection item
ANGLES ±1°				

**Amphenol LTW**  
安費諾亮泰企業股份有限公司

ITEM NO.	DRAWN BY	DATE
	Vicky	2019-03-06
DWG NO.	CHECKED BY	DATE
ACD-XXRMFS-LC7001	Rita	2019-03-06
CUSTOMER	APPROVED BY	DATE
ALTW	Max	2019-03-06