

CKG45NX7T2E155M500JH

TDK item description : CKG45NX7T2E155MT***

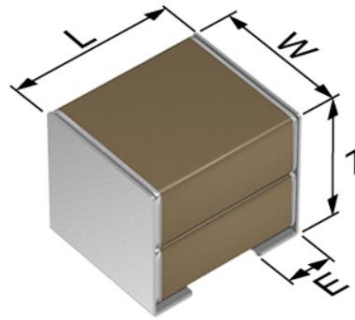


Application & Main Feature

Commercial grade (MEGACAP)

Series

CKG45N(4532) [EIA 1812]



Dimensions

L 5.00±0.50 mm
 W 3.50±0.50 mm
 T 5.00±0.50 mm
 E 1.10±0.30 mm

Temperature Characteristic

X7T (-55 to +125 degC, +22/-33%)

Rated Voltage

2E (250Vdc)

Capacitance

1.5µF

Capacitance Tolerance

M (±20%)

DF

2.5 % max.

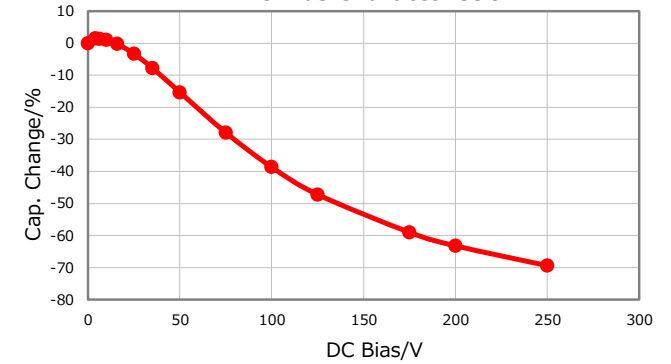
Insulation Resistance

333 Mohm min.

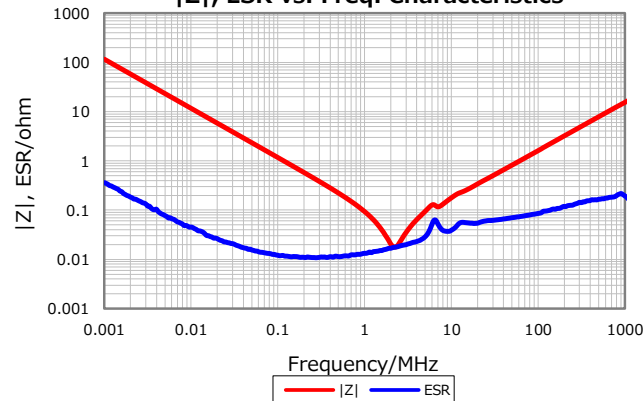
AEC-Q200

Not Applicable

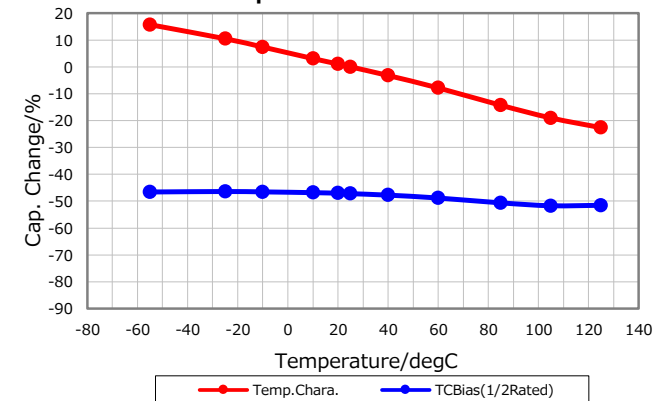
DC Bias Characteristic



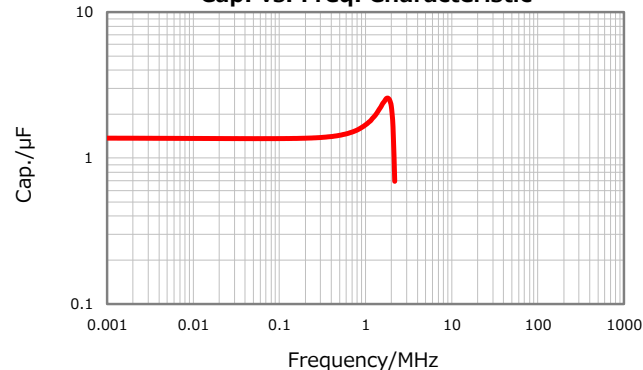
|Z|, ESR vs. Freq. Characteristics



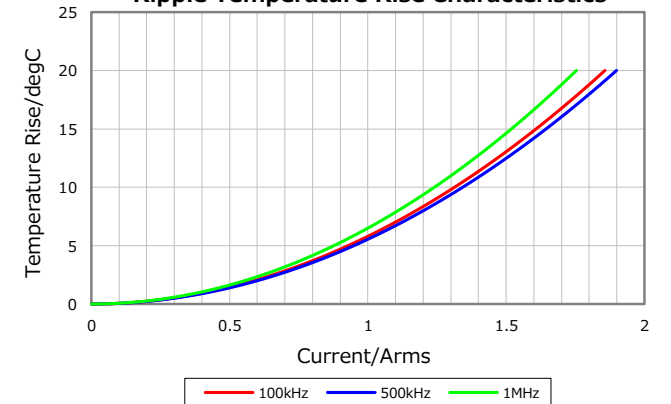
Temperature Characteristics



Cap. vs. Freq. Characteristic



Ripple Temperature Rise Characteristics



Characterization Sheet (Multilayer Ceramic Chip Capacitors)



⚠ All specifications are subject to change without notice.

April 10, 2022