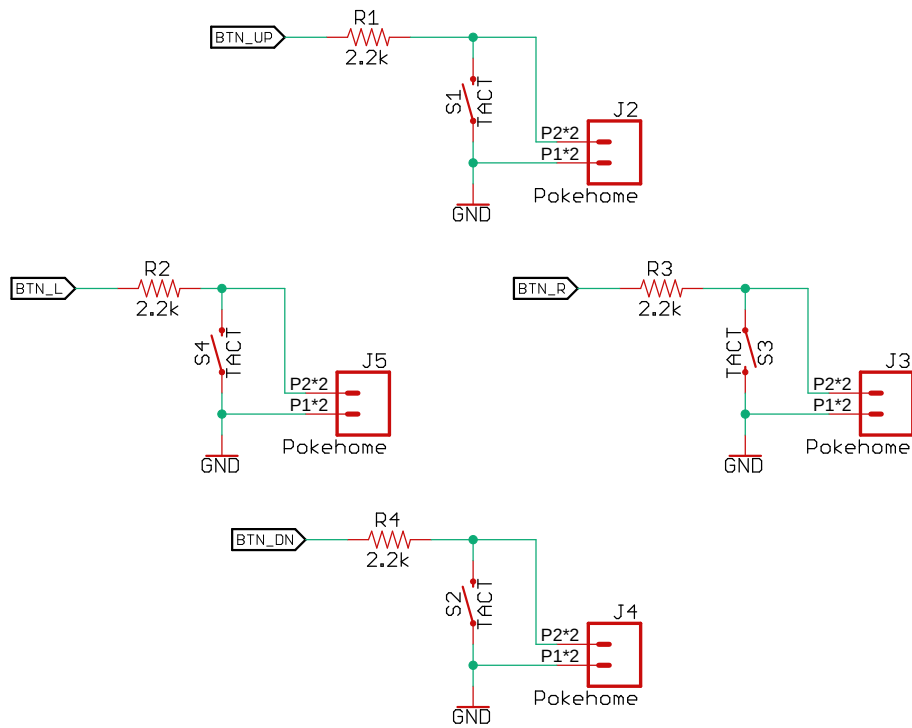
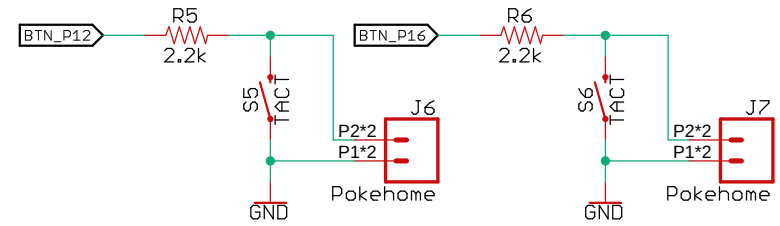


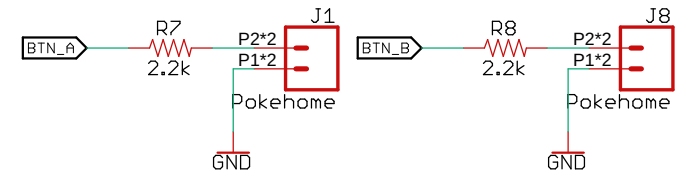
Directional Controls



"Fire" Buttons



Additional pokehome connectors for button A & B signals



2.2K series resistors on signal lines to prevent excess current draw if micro:bit pins are configured as outputs, written to a logic high state, and the buttons are pressed.

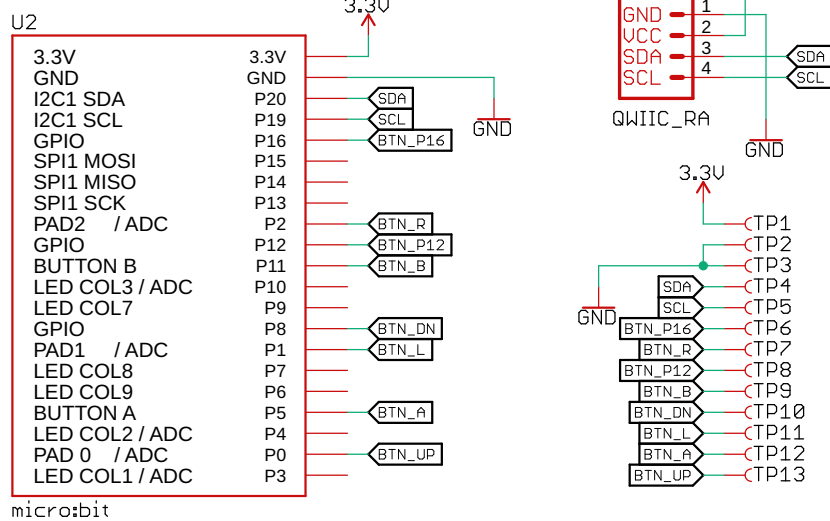
This also means that logic "low" will be in the neighborhood of 0.5 V. The nordic IC claims logic low threshold of $0.3 \times V_{CC}$, approx 1V for 3.3V supply.

All buttons are wired as active low, consistent with micro:bit buttons A and B.

If using hardware directly, user will need to enable pull up resistors on corresponding hardware pins.

micro:bit Connector

VCC RANGE: 3.3V Only (microbit)



Released under the Creative Commons Special Instructions

Attribution Share-Alike 4.0 License

<https://creativecommons.org/licenses/by-sa/4.0/>



TITLE: Micro_Bit_Controller_Bit

Design by: Byron Jacquot

Revised by: Pete Lewis

REV:
v21

Date: 12/16/2019 3:05 PM

Sheet: 1/1

controller:bit
controller:bit