



Conductive Polymer Hybrid Aluminum Electrolytic Capacitor

Technical Data ZC series



Device Solutions Business Division
Automotive & Industrial Systems Company, Panasonic Co., Ltd.

industrial.panasonic.com/ww/products/capacitors/polymer-capacitors/hybrid-aluminum

Technical Data

Conductive Polymer Hybrid Aluminum Electrolytic Capacitor

V type ZC series



EEHZC1E330R	25V33 μ F	ϕ 5x5.8	... ZC-2
EEHZC1E560P	25V56 μ F	ϕ 6.3x5.8	... ZC-3
EEHZC1E101XP	25V100 μ F	ϕ 6.3x7.7	... ZC-4
EEHZC1E221P	25V220 μ F	ϕ 8x10.2	... ZC-5
EEHZC1E331P	25V330 μ F	ϕ 10x10.2	... ZC-6
EEHZC1V220R	35V22 μ F	ϕ 5x5.8	... ZC-7
EEHZC1V470P	35V47 μ F	ϕ 6.3x5.8	... ZC-8
EEHZC1V680XP	35V68 μ F	ϕ 6.3x7.7	... ZC-9
EEHZC1V151P	35V150 μ F	ϕ 8x10.2	... ZC-10
EEHZC1V271P	35V270 μ F	ϕ 10x10.2	... ZC-11
EEHZC1H100R	50V10 μ F	ϕ 5x5.8	... ZC-12
EEHZC1H220P	50V22 μ F	ϕ 6.3x5.8	... ZC-13
EEHZC1H330XP	50V33 μ F	ϕ 6.3x7.7	... ZC-14
EEHZC1H680P	50V68 μ F	ϕ 8x10.2	... ZC-15
EEHZC1H101P	50V100 μ F	ϕ 10x10.2	... ZC-16
EEHZC1J100P	63V10 μ F	ϕ 6.3x5.8	... ZC-17
EEHZC1J220XP	63V22 μ F	ϕ 6.3x7.7	... ZC-18
EEHZC1J330P	63V33 μ F	ϕ 8x10.2	... ZC-19
EEHZC1J560P	63V56 μ F	ϕ 10x10.2	... ZC-20

Technical Data

Conductive Polymer Hybrid Aluminum Electrolytic Capacitor

V type ZC series

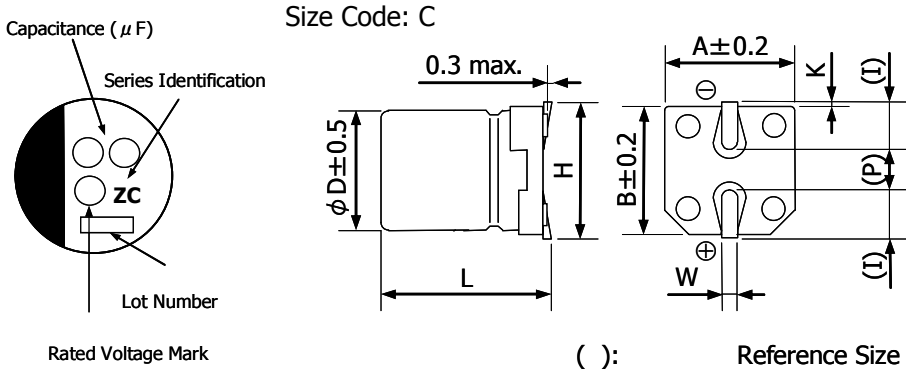
Part Number: **EEHZC1E330R**

φ5.0×5.8 mm / 25 V / 33 μF / 125 °C, 4000 h

Category Temperature Range	-55 to 125 °C
Rated W.V. Range	DC 25 V
Nominal Capacitance Range	33 μF (at 120 Hz)
Capacitance Tolerance	±20 %

tanδ	0.14 max. (at 120 Hz)
DC Leakage Current	8.2 μA (0.01CV) max. (at W.V., After 2 min)
ESR	80 mΩ max. (at 100 kHz)
Ripple Current	550 mArms max. (at 100 kHz, 125 °C)
Endurance	125 °C, 4000 h

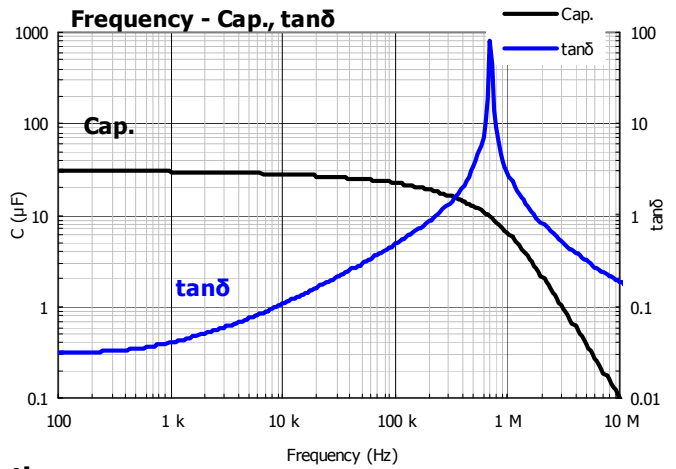
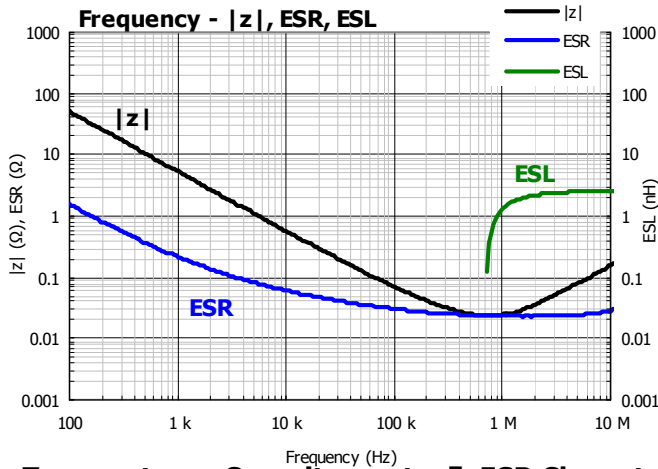
Marking, Dimensions in mm (not to scale)



	(mm)
D	5.0
L	5.8±0.3
A, B	5.3
H	6.5 max.
I	2.2
W	0.65±0.10
P	1.5
K	0.35+0.15/-0.20

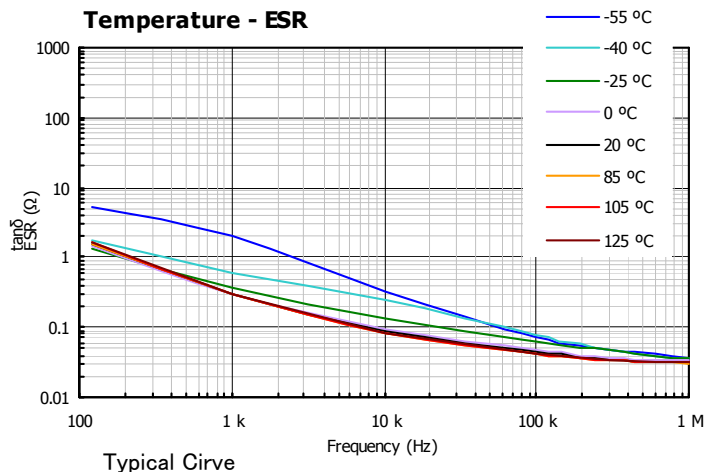
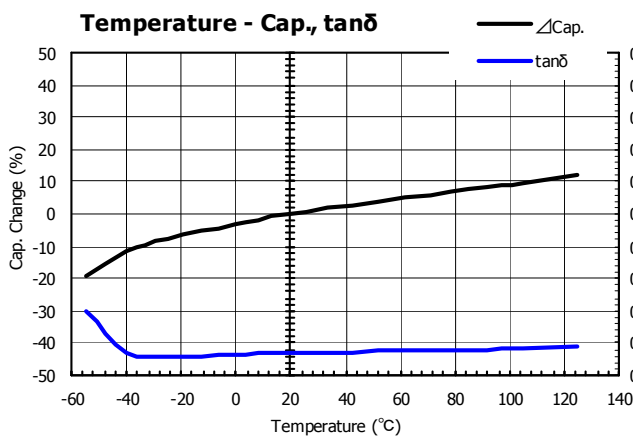
Frequency - |z|, ESR, ESL, Capacitance, tanδ Characteristics

Osc. Level: 0.5 Vrms (at no load)



Temperature - Capacitance, tanδ, ESR Characteristics

Osc. Level: 1.0 Vrms (at no load)



Technical Data

Conductive Polymer Hybrid Aluminum Electrolytic Capacitor

V type ZC series

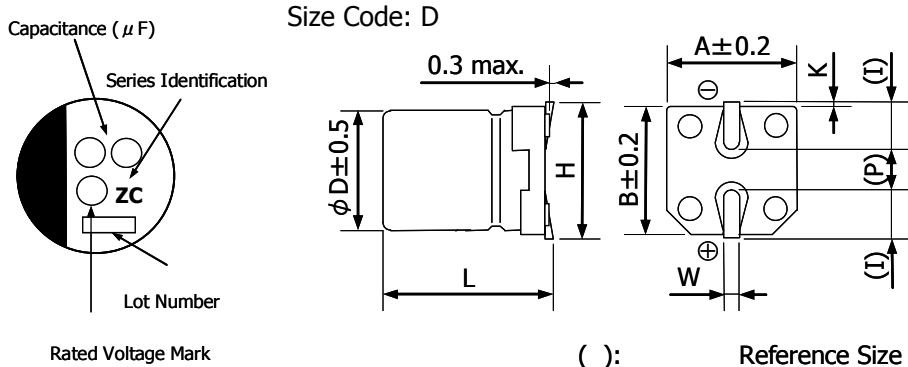
Part Number: **EEHZC1E560P**

$\phi 6.3 \times 5.8$ mm / 25 V / 56 μ F / 125 °C, 4000 h

Category Temperature Range	-55 to 125 °C
Rated W.V. Range	DC 25 V
Nominal Capacitance Range	56 μ F (at 120 Hz)
Capacitance Tolerance	± 20 %

$\tan \delta$	0.14 max. (at 120 Hz)
DC Leakage Current	14 μ A (0.01CV) max. (at W.V., After 2 min)
ESR	50 m Ω max. (at 100 kHz)
Ripple Current	900 mArms max. (at 100 kHz, 125 °C)
Endurance	125 °C, 4000 h

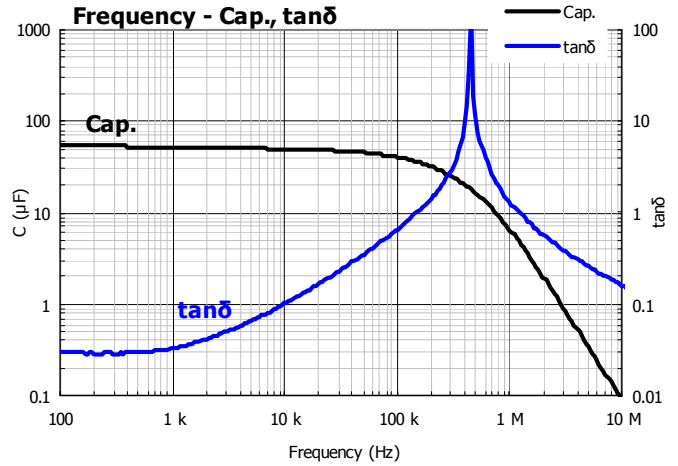
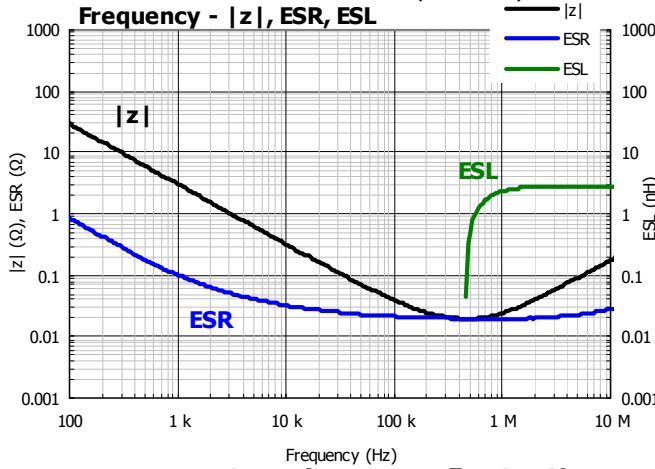
Marking, Dimensions in mm (not to scale)



	(mm)
D	6.3
L	5.8 ± 0.3
A, B	6.6
H	7.8 max.
I	2.6
W	0.65 ± 0.10
P	1.8
K	$0.35 + 0.15 / - 0.20$

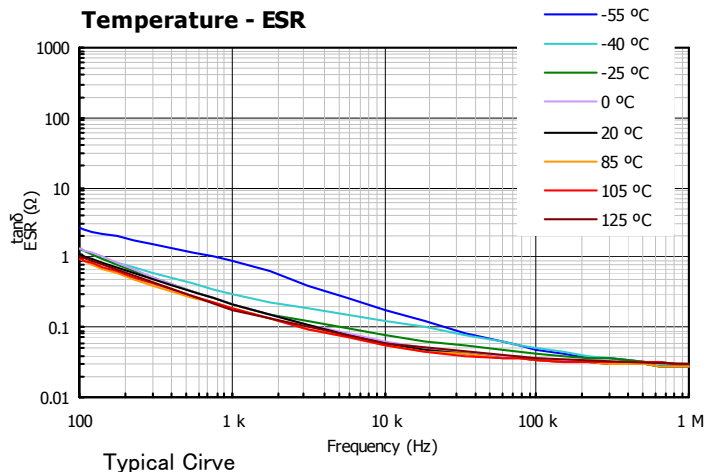
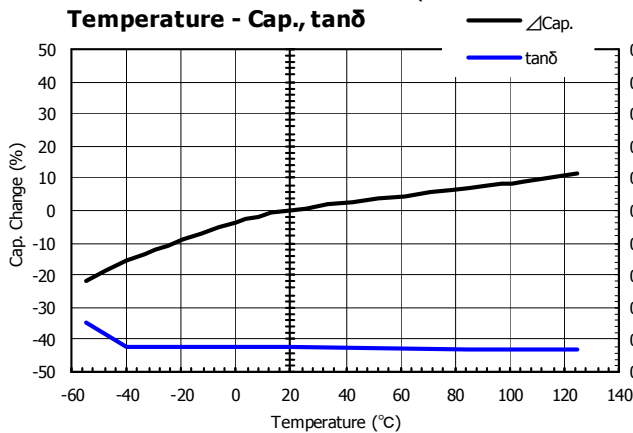
Frequency - $|z|$, ESR, ESL, Capacitance, $\tan \delta$ Characteristics

Osc. Level: 0.5 Vrms (at no load)



Temperature - Capacitance, $\tan \delta$, ESR Characteristics

Osc. Level: 1.0 Vrms (at no load)



Technical Data

Conductive Polymer Hybrid Aluminum Electrolytic Capacitor

V type ZC series

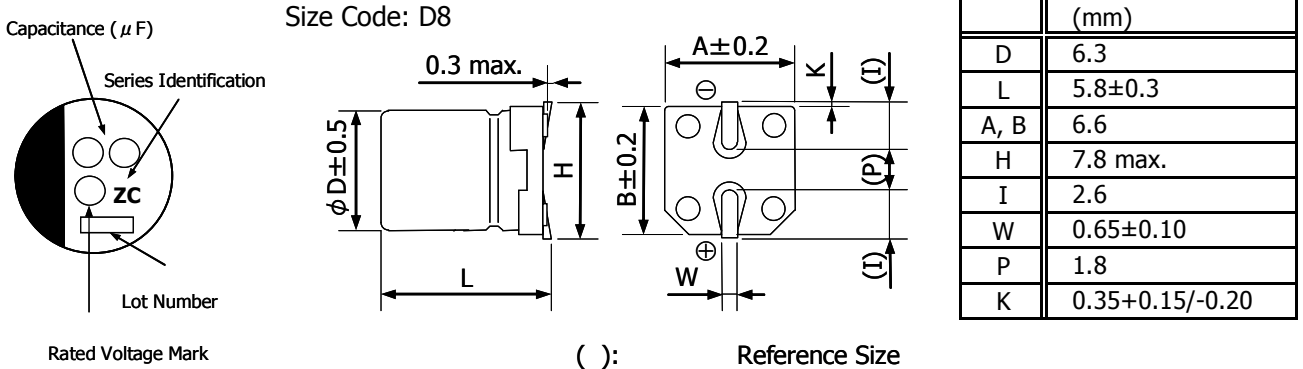
Part Number: **EEHZC1E101XP**

$\phi 6.3 \times 7.7$ mm / 25 V / 100 μ F / 125 °C, 4000 h

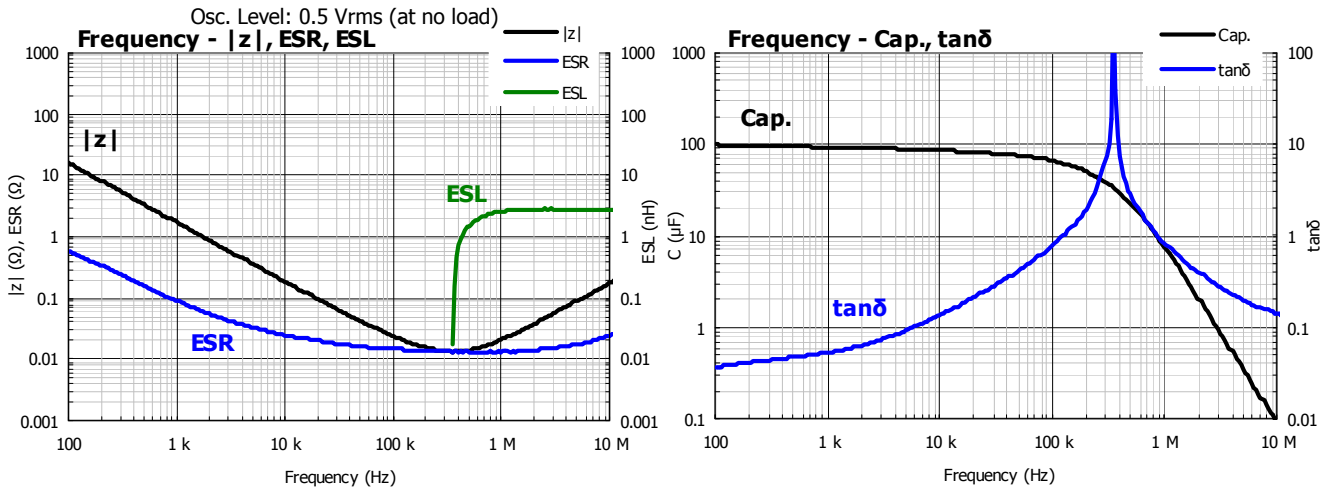
Category Temperature Range	-55 to 125 °C
Rated W.V. Range	DC 25 V
Nominal Capacitance Range	100 μ F (at 120 Hz)
Capacitance Tolerance	± 20 %

tan δ	0.12 max. (at 120 Hz)
DC Leakage Current	25 μ A (0.01CV) max. (at W.V., After 2 min)
ESR	30 m Ω max. (at 100 kHz)
Ripple Current	1400 mArms max. (at 100 kHz, 125 °C)
Endurance	125 °C, 4000 h

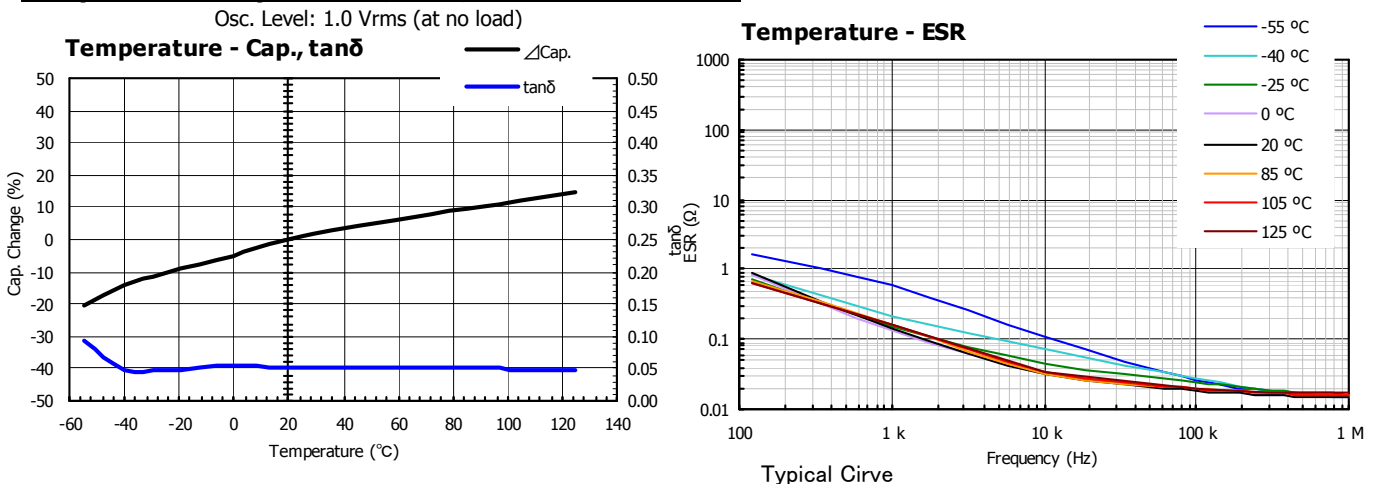
Marking, Dimensions in mm (not to scale)



Frequency - |z|, ESR, ESL, Capacitance, tan δ Characteristics



Temperature - Capacitance, tan δ , ESR Characteristics



Technical Data

Conductive Polymer Hybrid Aluminum Electrolytic Capacitor

V type ZC series

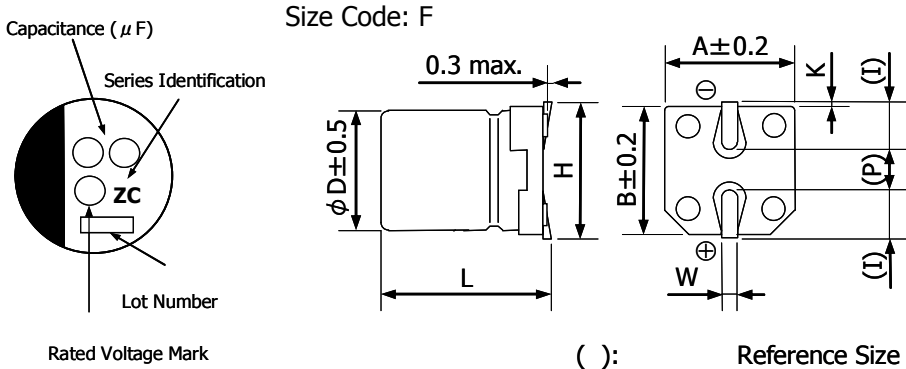
Part Number: **EEHZC1E221P**

φ8.0×10.2 mm / 25 V / 220 μF / 125 °C, 4000 h

Category Temperature Range	-55 to 125 °C
Rated W.V. Range	DC 25 V
Nominal Capacitance Range	220 μF (at 120 Hz)
Capacitance Tolerance	±20 %

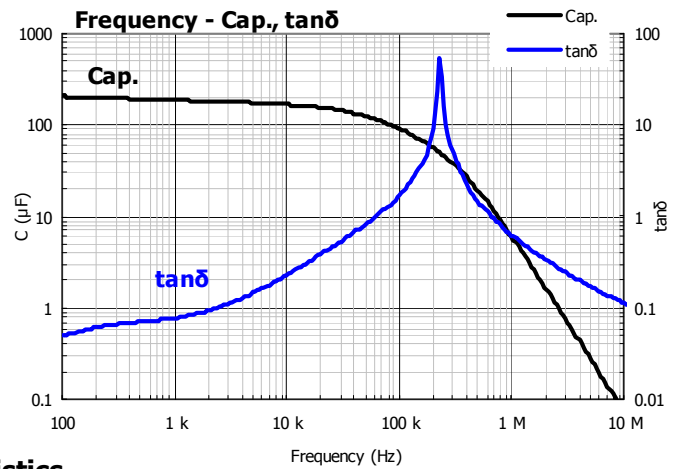
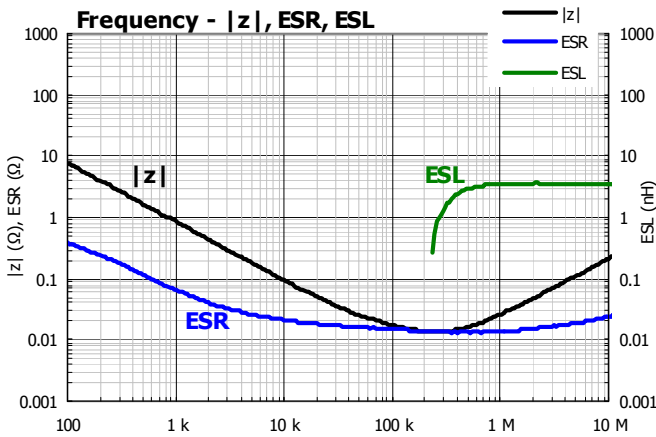
tanδ	0.14 max. (at 120 Hz)
DC Leakage Current	55 μA (0.01CV) max. (at W.V., After 2 min)
ESR	27 mΩ max. (at 100 kHz)
Ripple Current	1600 mArms max. (at 100 kHz, 125 °C)
Endurance	125 °C, 4000 h

Marking, Dimensions in mm (not to scale)



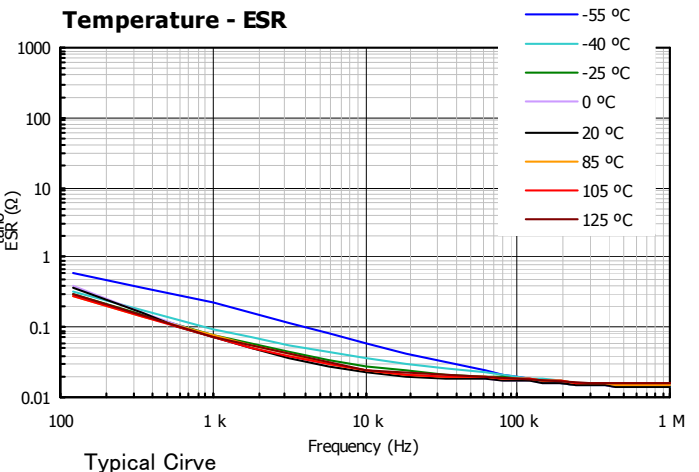
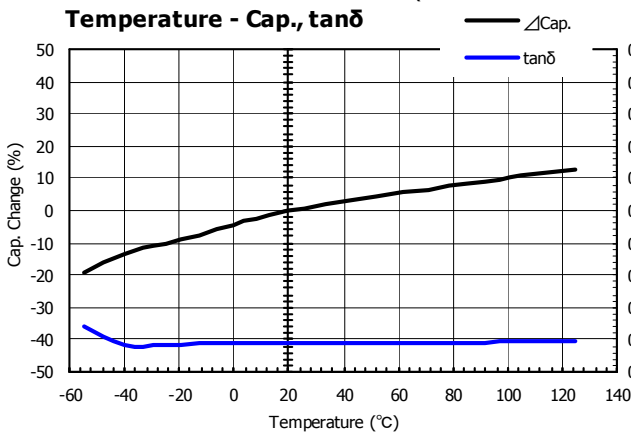
Frequency - |z|, ESR, ESL, Capacitance, tanδ Characteristics

Osc. Level: 0.5 Vrms (at no load)



Temperature - Capacitance, tanδ, ESR Characteristics

Osc. Level: 1.0 Vrms (at no load)



Technical Data

Conductive Polymer Hybrid Aluminum Electrolytic Capacitor

V type ZC series

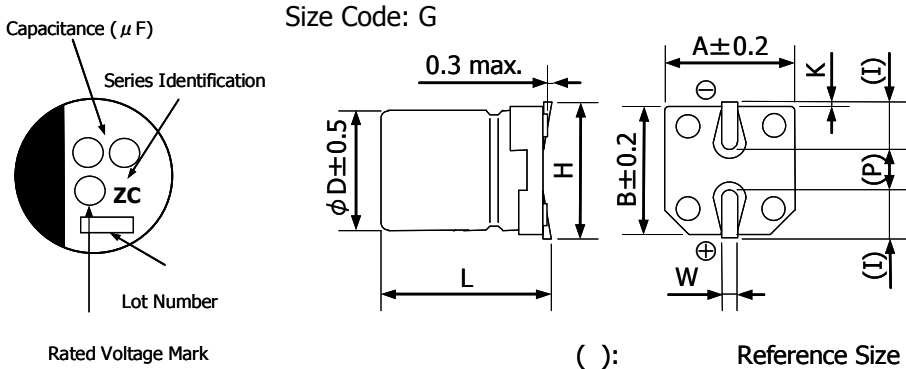
Part Number: **EEHZC1E331P**

$\phi 10.0 \times 10.2$ mm / 25 V / 330 μ F / 125 °C, 4000 h

Category Temperature Range	-55 to 125 °C
Rated W.V. Range	DC 25 V
Nominal Capacitance Range	330 μ F (at 120 Hz)
Capacitance Tolerance	± 20 %

$\tan \delta$	0.14 max. (at 120 Hz)
DC Leakage Current	82.5 μ A (0.01CV) max. (at W.V., After 2 min)
ESR	20 m Ω max. (at 100 kHz)
Ripple Current	2000 mArms max. (at 100 kHz, 125 °C)
Endurance	125 °C, 4000 h

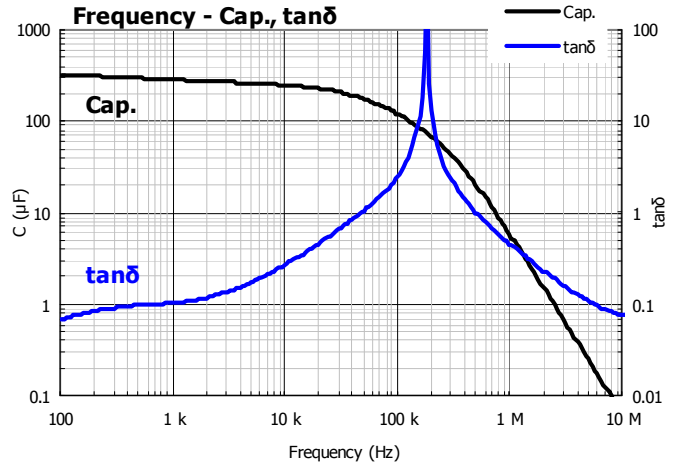
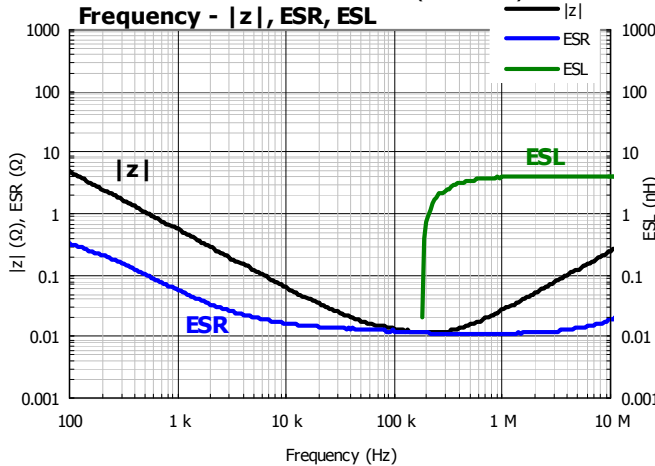
Marking, Dimensions in mm (not to scale)



	(mm)
D	10.0
L	10.2 \pm 0.3
A, B	10.3
H	12.0 max.
I	3.5
W	0.9 \pm 0.2
P	4.6
K	0.7 \pm 0.2

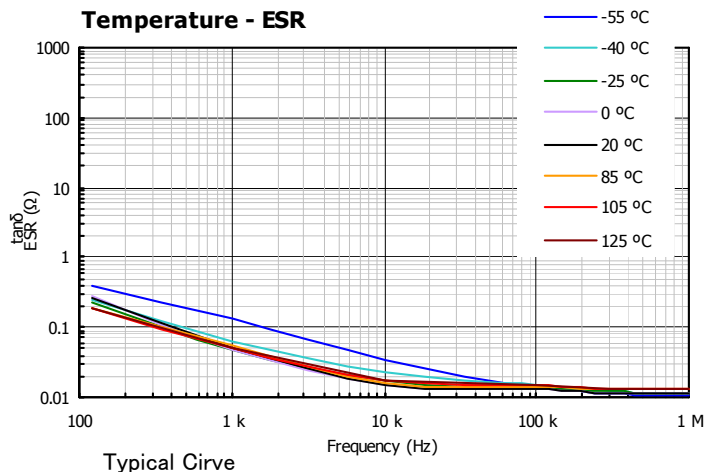
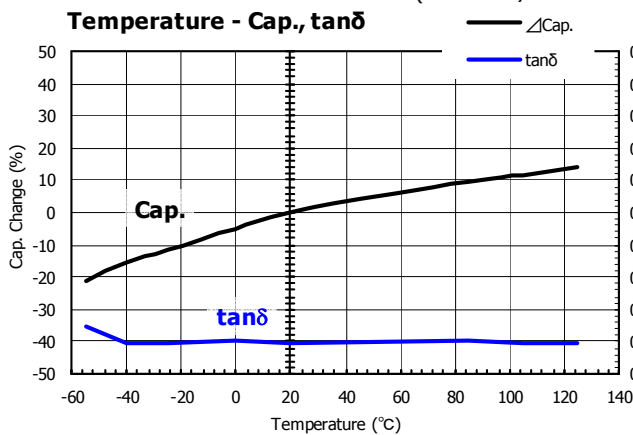
Frequency - $|z|$, ESR, ESL, Capacitance, $\tan \delta$ Characteristics

Osc. Level: 0.5 Vrms (at no load)



Temperature - Capacitance, $\tan \delta$, ESR Characteristics

Osc. Level: 1.0 Vrms (at no load)



Technical Data

Conductive Polymer Hybrid Aluminum Electrolytic Capacitor

V type ZC series

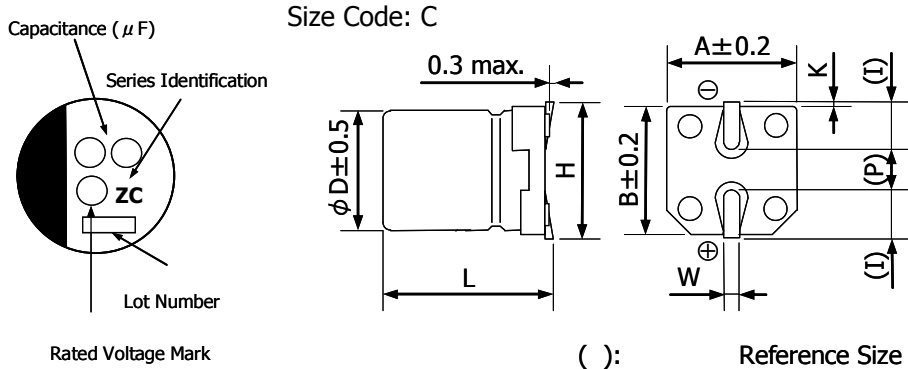
Part Number: **EEHZC1V220R**

$\phi 5.0 \times 5.8$ mm / 35 V / 22 μ F / 125 °C, 4000 h

Category Temperature Range	-55 to 125 °C
Rated W.V. Range	DC 35 V
Nominal Capacitance Range	22 μ F (at 120 Hz)
Capacitance Tolerance	± 20 %

$\tan \delta$	0.12 max. (at 120 Hz)
DC Leakage Current	7.7 μ A (0.01CV) max. (at W.V., After 2 min)
ESR	100 m Ω max. (at 100 kHz)
Ripple Current	550 mArms max. (at 100 kHz, 125 °C)
Endurance	125 °C, 4000 h

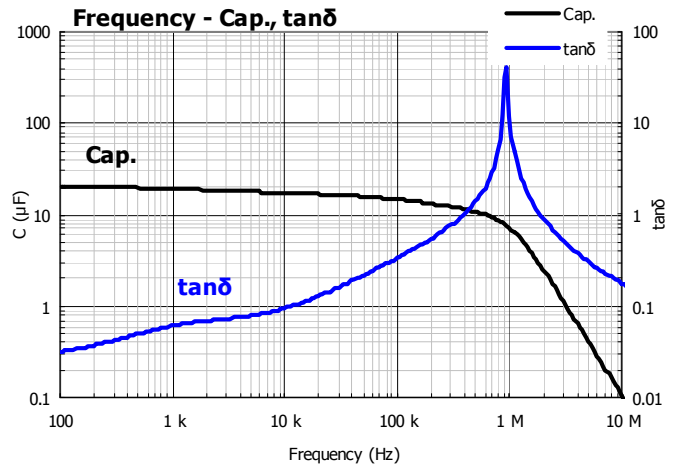
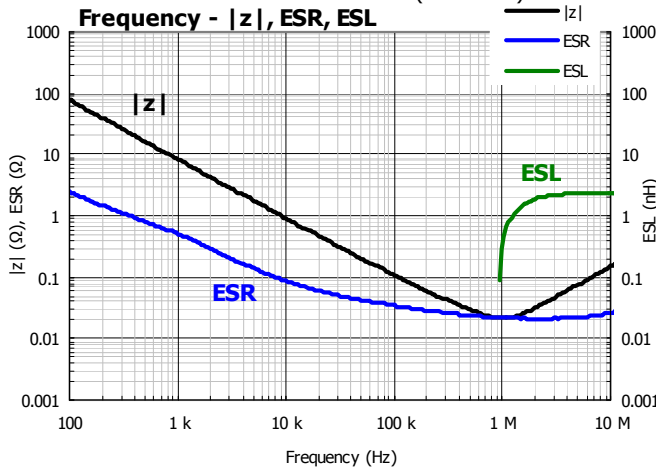
Marking, Dimensions in mm (not to scale)



	(mm)
D	5.0
L	5.8 \pm 0.3
A, B	5.3
H	6.5 max.
I	2.2
W	0.65 \pm 0.10
P	1.5
K	0.35 \pm 0.15/-0.20

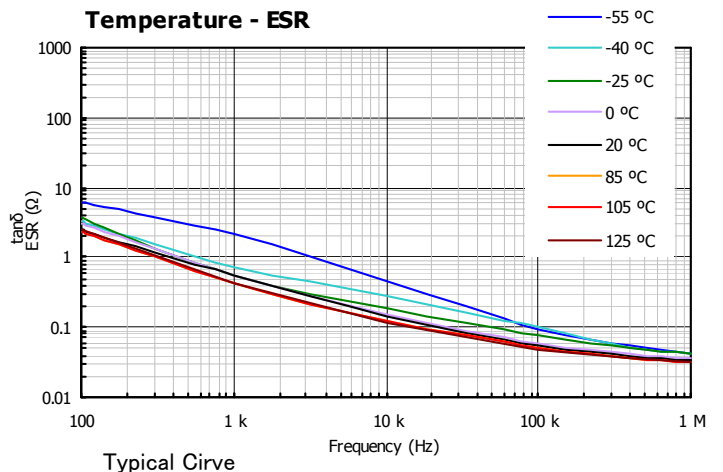
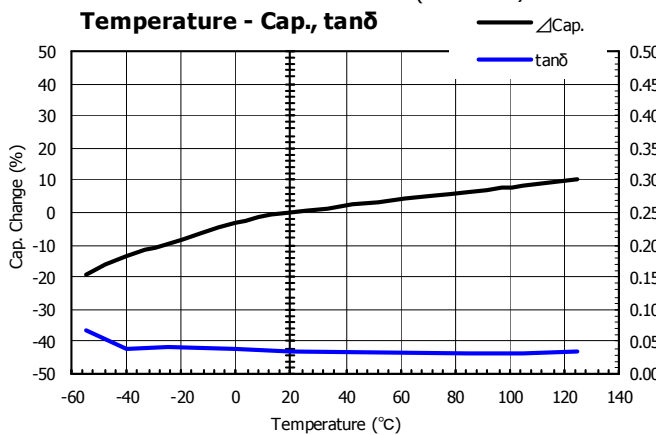
Frequency - |z|, ESR, ESL, Capacitance, $\tan \delta$ Characteristics

Osc. Level: 0.5 Vrms (at no load)



Temperature - Capacitance, $\tan \delta$, ESR Characteristics

Osc. Level: 1.0 Vrms (at no load)



Technical Data

Conductive Polymer Hybrid Aluminum Electrolytic Capacitor

V type ZC series

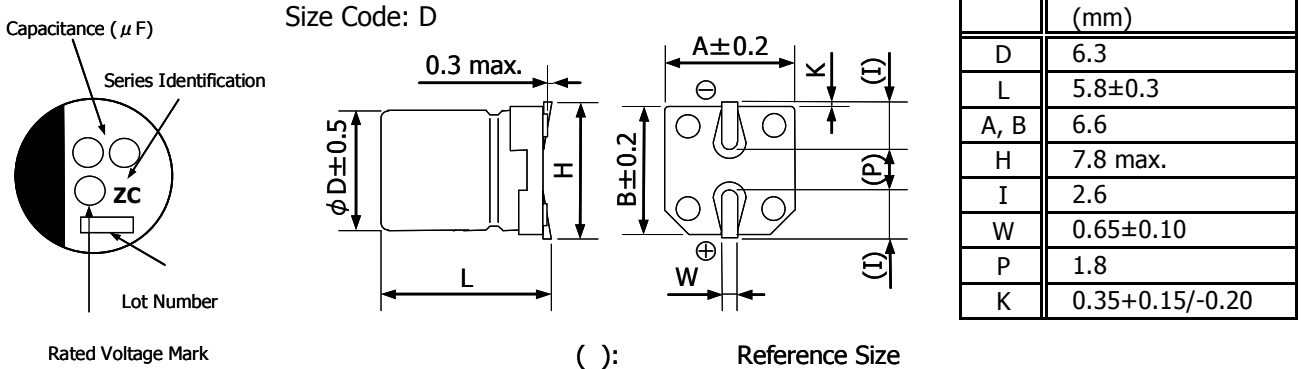
Part Number: **EEHZC1V470P**

$\phi 6.3 \times 5.8$ mm / 35 V / 47 μ F / 125 °C, 4000 h

Category Temperature Range	-55 to 125 °C
Rated W.V. Range	DC 35 V
Nominal Capacitance Range	47 μ F (at 120 Hz)
Capacitance Tolerance	± 20 %

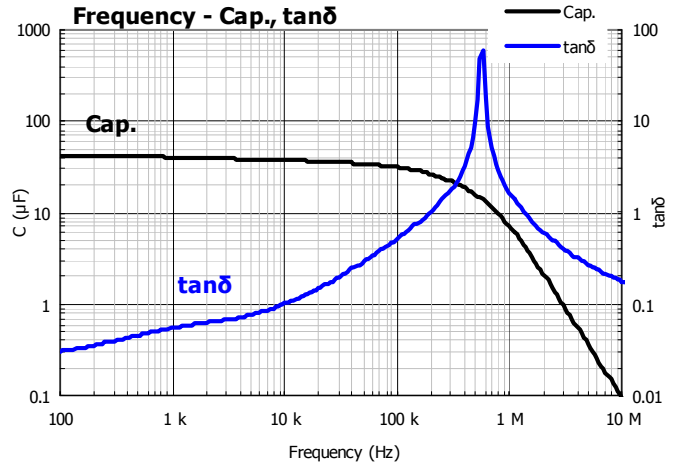
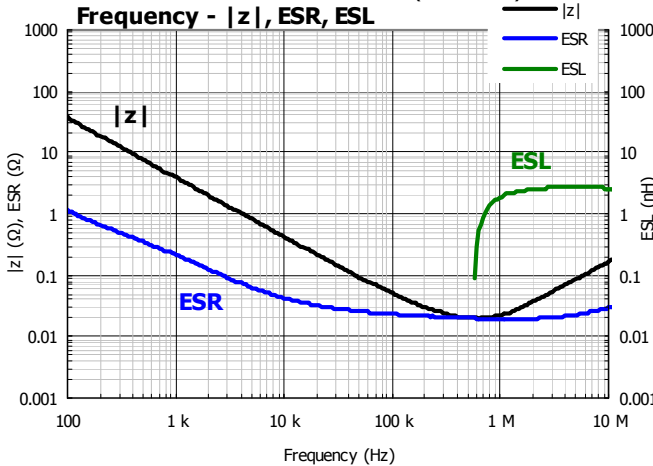
$\tan \delta$	0.12 max. (at 120 Hz)
DC Leakage Current	16.4 μ A (0.01CV) max. (at W.V., After 2 min)
ESR	60 m Ω max. (at 100 kHz)
Ripple Current	900 mArms max. (at 100 kHz, 125 °C)
Endurance	125 °C, 4000 h

Marking, Dimensions in mm (not to scale)



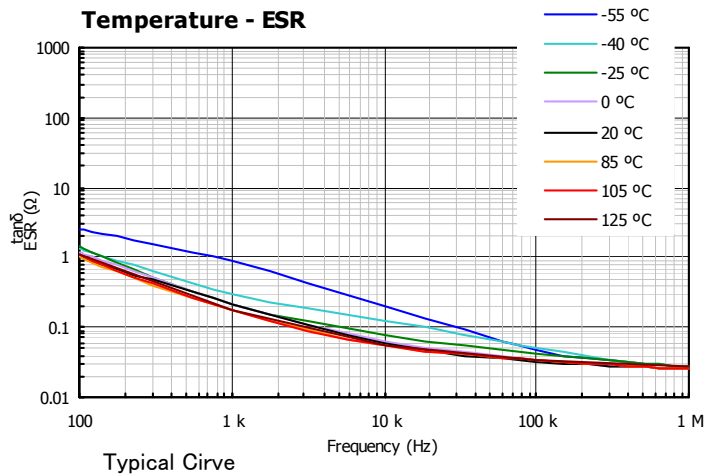
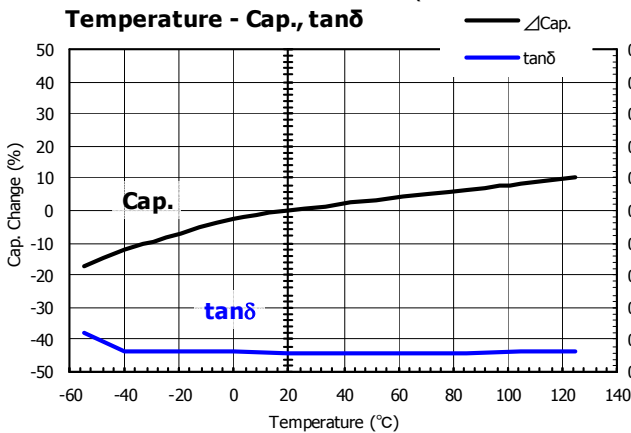
Frequency - |z|, ESR, ESL, Capacitance, $\tan \delta$ Characteristics

Osc. Level: 0.5 Vrms (at no load)



Temperature - Capacitance, $\tan \delta$, ESR Characteristics

Osc. Level: 1.0 Vrms (at no load)



Technical Data

Conductive Polymer Hybrid Aluminum Electrolytic Capacitor

V type ZC series

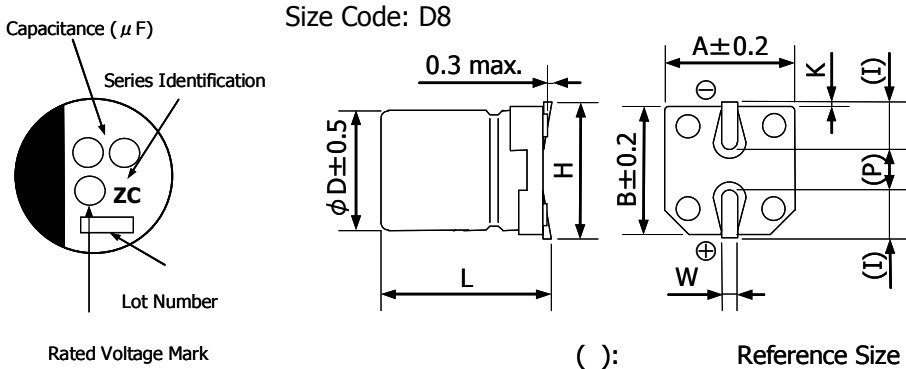
Part Number: **EEHZC1V680XP**

$\phi 6.3 \times 7.7$ mm / 35 V / 68 μ F / 125 °C, 4000 h

Category Temperature Range	-55 to 125 °C
Rated W.V. Range	DC 35 V
Nominal Capacitance Range	68 μ F (at 120 Hz)
Capacitance Tolerance	± 20 %

$\tan \delta$	0.12 max. (at 120 Hz)
DC Leakage Current	23.8 μ A (0.01CV) max. (at W.V., After 2 min)
ESR	35 m Ω max. (at 100 kHz)
Ripple Current	1400 mArms max. (at 100 kHz, 125 °C)
Endurance	125 °C, 4000 h

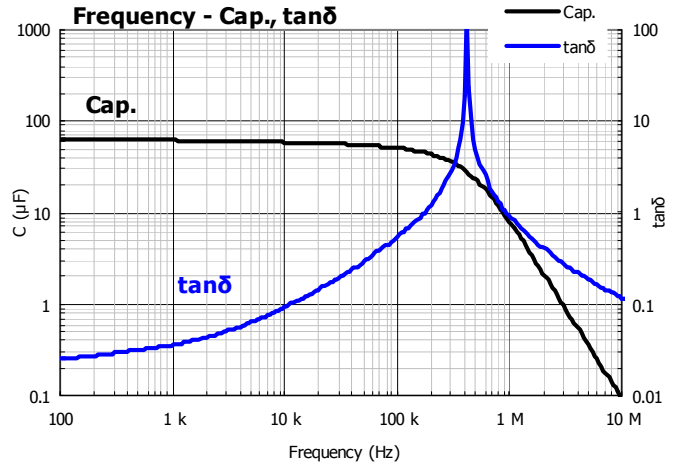
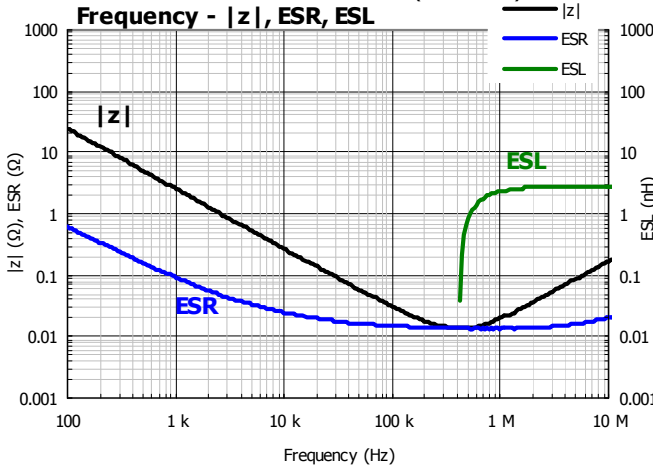
Marking, Dimensions in mm (not to scale)



	(mm)
D	6.3
L	7.7 \pm 0.3
A, B	6.6
H	7.8 max.
I	2.6
W	0.65 \pm 0.10
P	1.8
K	0.35 \pm 0.15/-0.20

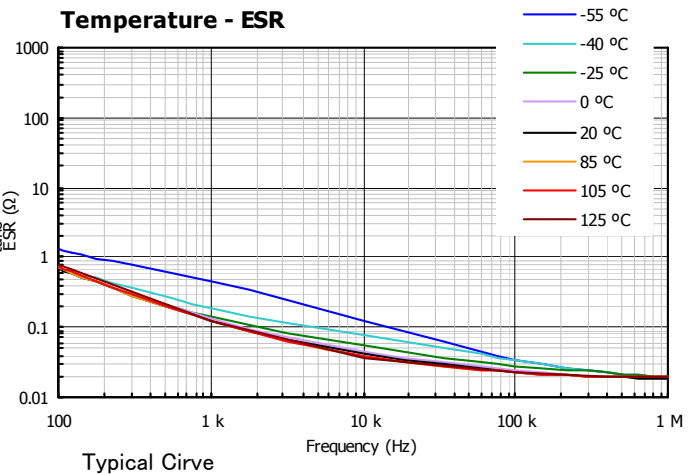
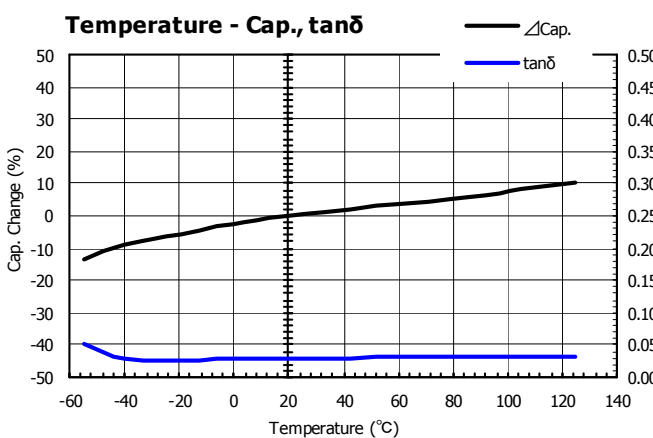
Frequency - |z|, ESR, ESL, Capacitance, $\tan \delta$ Characteristics

Osc. Level: 0.5 Vrms (at no load)



Temperature - Capacitance, $\tan \delta$, ESR Characteristics

Osc. Level: 1.0 Vrms (at no load)



Technical Data

Conductive Polymer Hybrid Aluminum Electrolytic Capacitor

V type ZC series

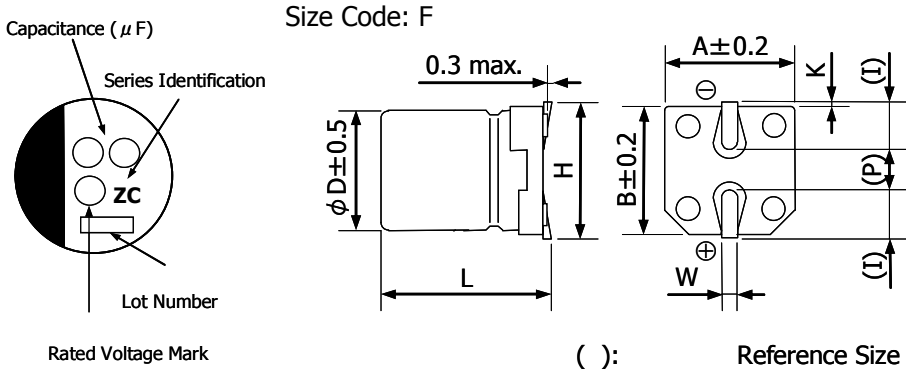
Part Number: **EEHZC1V151P**

φ8.0×10.2 mm / 35 V / 150 μF / 125 °C, 4000 h

Category Temperature Range	-55 to 125 °C
Rated W.V. Range	DC 35 V
Nominal Capacitance Range	150 μF (at 120 Hz)
Capacitance Tolerance	±20 %

tanδ	0.12 max. (at 120 Hz)
DC Leakage Current	52.5 μA (0.01CV) max. (at W.V., After 2 min)
ESR	27 mΩ max. (at 100 kHz)
Ripple Current	1600 mArms max. (at 100 kHz, 125 °C)
Endurance	125 °C, 4000 h

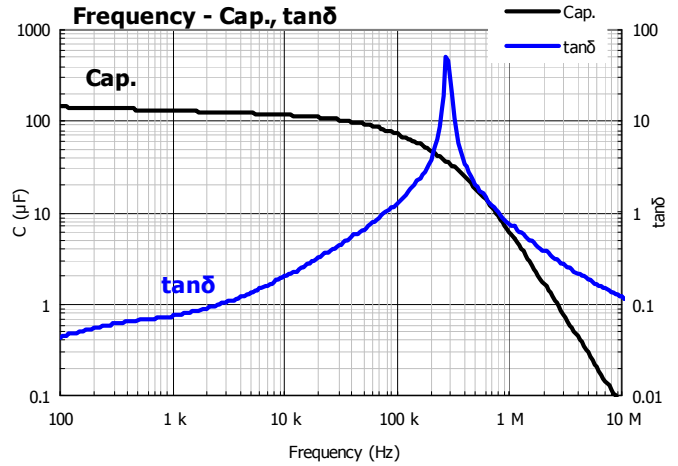
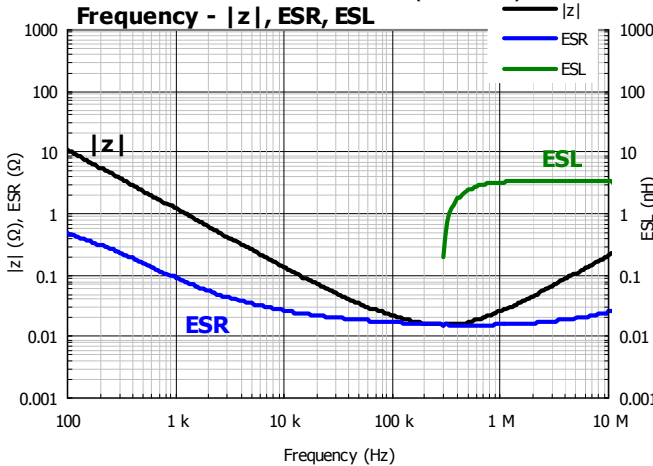
Marking, Dimensions in mm (not to scale)



	(mm)
D	8.0
L	10.2±0.3
A, B	8.3
H	10.0 max.
I	3.4
W	0.9±0.2
P	3.1
K	0.7±0.2

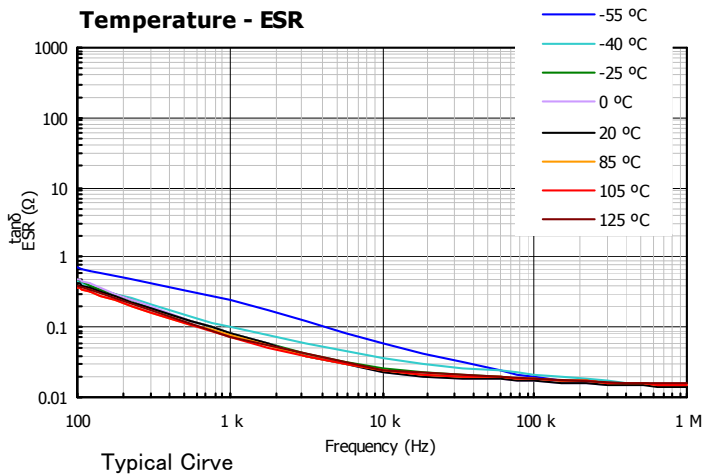
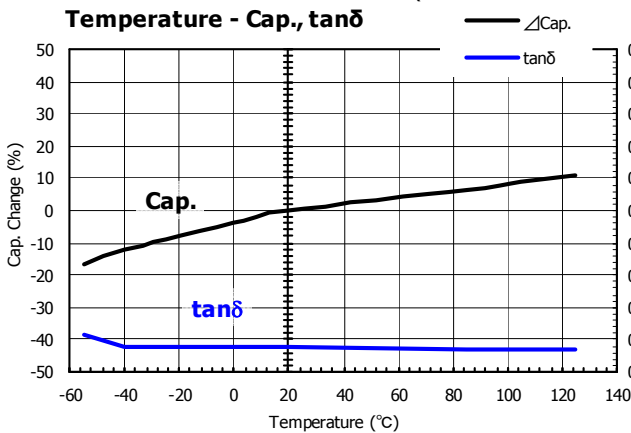
Frequency - |z|, ESR, ESL, Capacitance, tanδ Characteristics

Osc. Level: 0.5 Vrms (at no load)



Temperature - Capacitance, tanδ, ESR Characteristics

Osc. Level: 1.0 Vrms (at no load)



Technical Data

Conductive Polymer Hybrid Aluminum Electrolytic Capacitor

V type ZC series

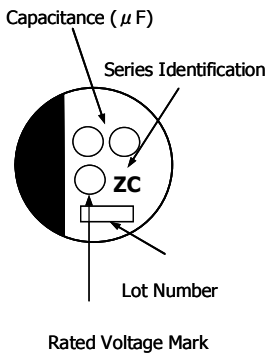
Part Number: **EEHZC1V271P**

$\phi 10.0 \times 10.2$ mm / 35 V / 270 μ F / 125 °C, 4000 h

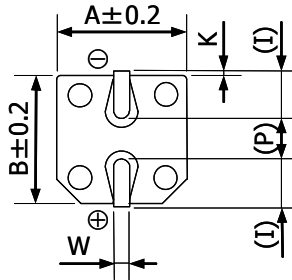
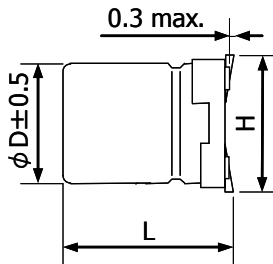
Category Temperature Range	-55 to 125 °C
Rated W.V. Range	DC 35 V
Nominal Capacitance Range	270 μ F (at 120 Hz)
Capacitance Tolerance	± 20 %

$\tan \delta$	0.12 max. (at 120 Hz)
DC Leakage Current	94.5 μ A (0.01CV) max. (at W.V., After 2 min)
ESR	20 m Ω max. (at 100 kHz)
Ripple Current	2000 mArms max. (at 100 kHz, 125 °C)
Endurance	125 °C, 4000 h

Marking, Dimensions in mm (not to scale)



Size Code: G

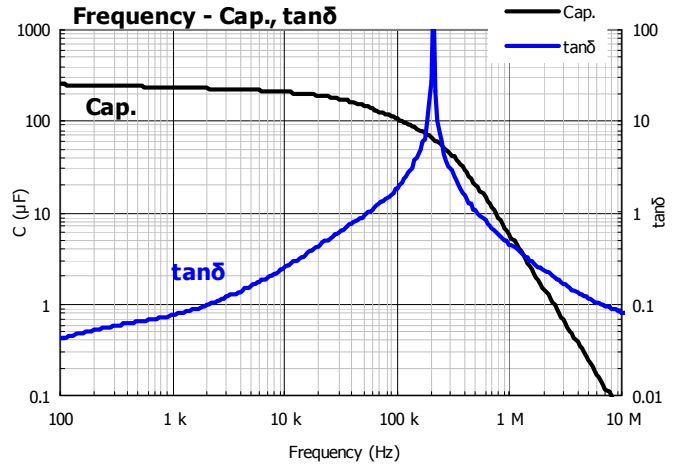
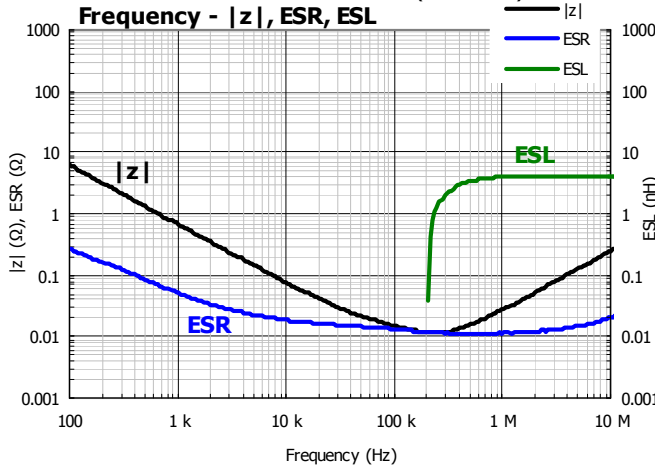


	(mm)
D	10.0
L	10.2 \pm 0.3
A, B	10.3
H	12.0 max.
I	3.5
W	0.9 \pm 0.2
P	4.6
K	0.7 \pm 0.2

(): Reference Size

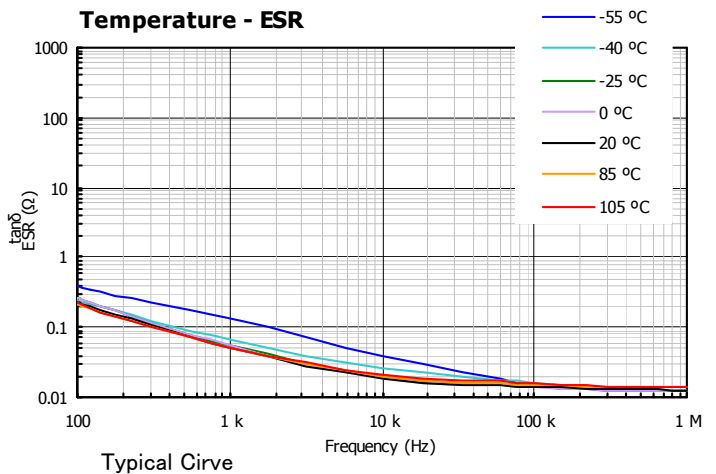
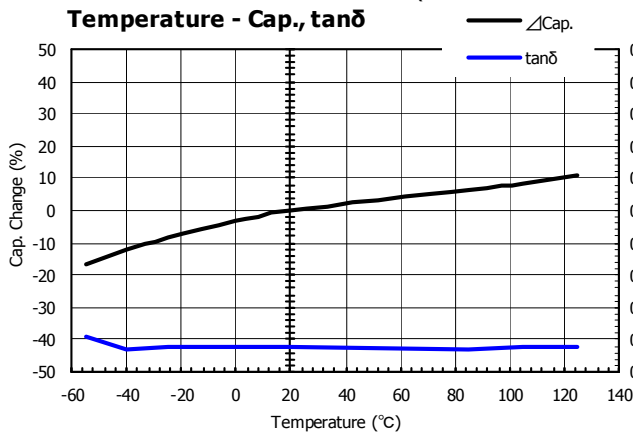
Frequency - $|z|$, ESR, ESL, Capacitance, $\tan \delta$ Characteristics

Osc. Level: 0.5 Vrms (at no load)



Temperature - Capacitance, $\tan \delta$, ESR Characteristics

Osc. Level: 1.0 Vrms (at no load)



Technical Data

Conductive Polymer Hybrid Aluminum Electrolytic Capacitor

V type ZC series

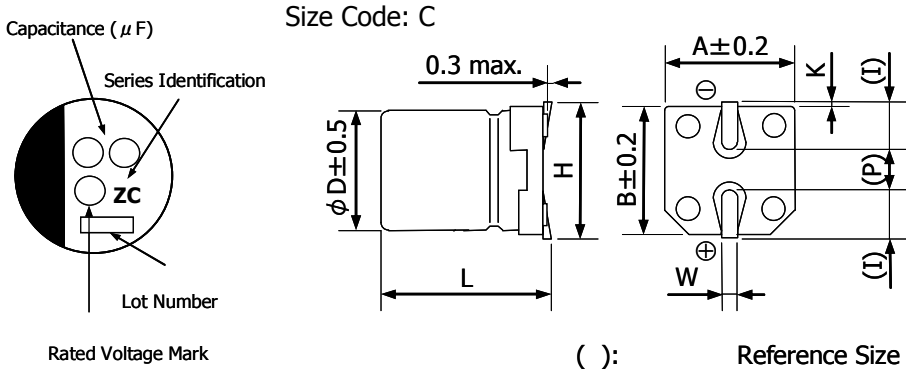
Part Number: **EEHZC1H100R**

φ5.0×5.8 mm / 50 V / 10 μF / 125 °C, 4000 h

Category Temperature Range	-55 to 125 °C
Rated W.V. Range	DC 50 V
Nominal Capacitance Range	10 μF (at 120 Hz)
Capacitance Tolerance	±20 %

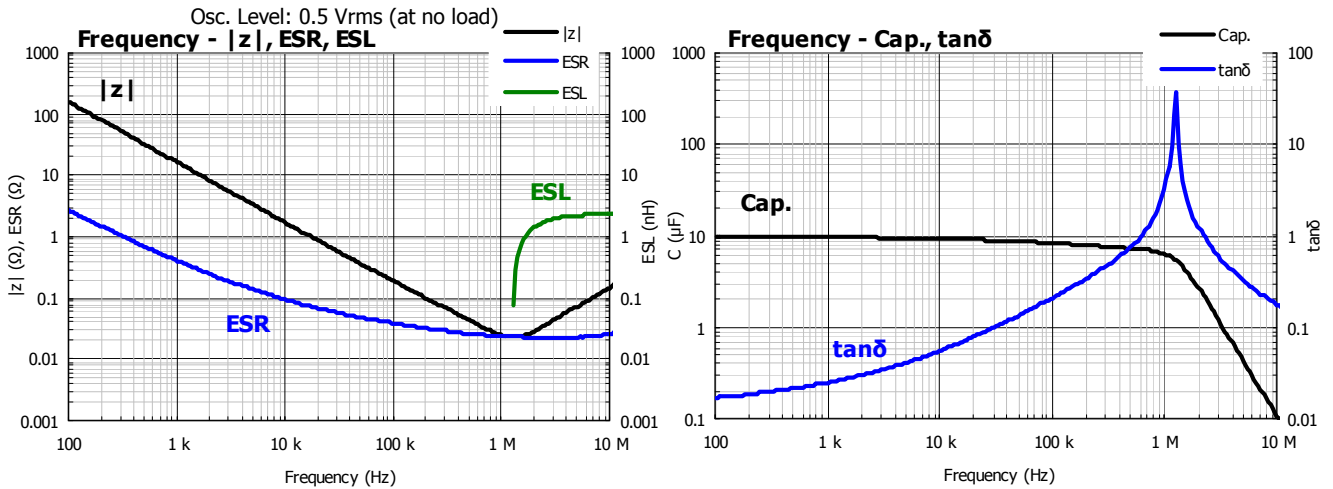
tanδ	0.1 max. (at 120 Hz)
DC Leakage Current	5 μA (0.01CV) max. (at W.V., After 2 min)
ESR	120 mΩ max. (at 100 kHz)
Ripple Current	500 mArms max. (at 100 kHz, 125 °C)
Endurance	125 °C, 4000 h

Marking, Dimensions in mm (not to scale)

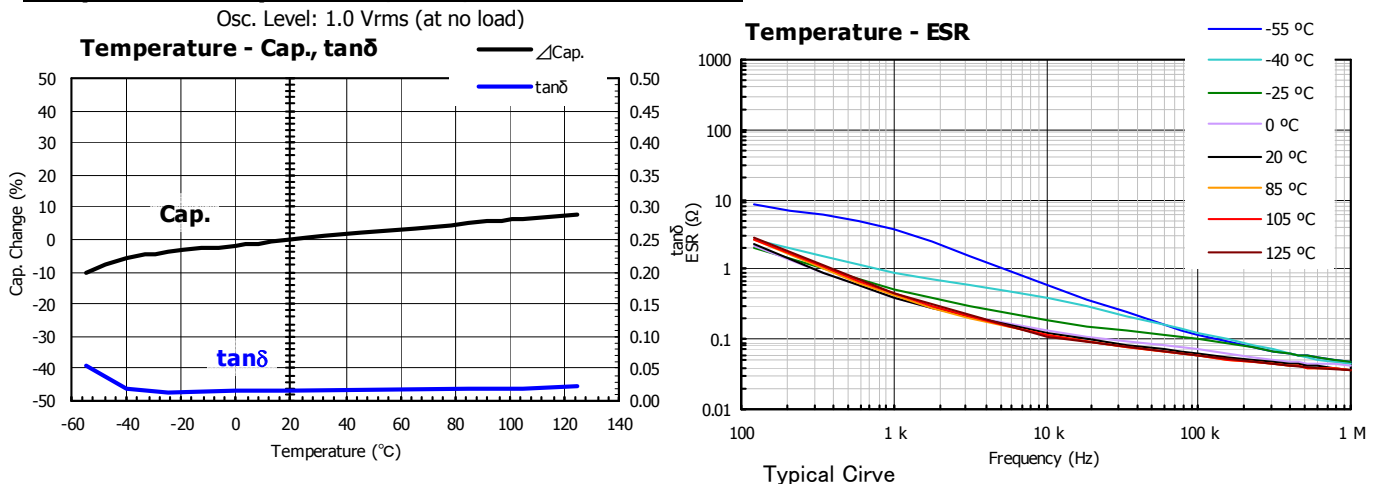


	(mm)
D	5.0
L	5.8±0.3
A, B	5.3
H	6.5 max.
I	2.2
W	0.65±0.10
P	1.5
K	0.35+0.15/-0.20

Frequency - |z|, ESR, ESL, Capacitance, tanδ Characteristics



Temperature - Capacitance, tanδ, ESR Characteristics



Technical Data

Conductive Polymer Hybrid Aluminum Electrolytic Capacitor

V type ZC series

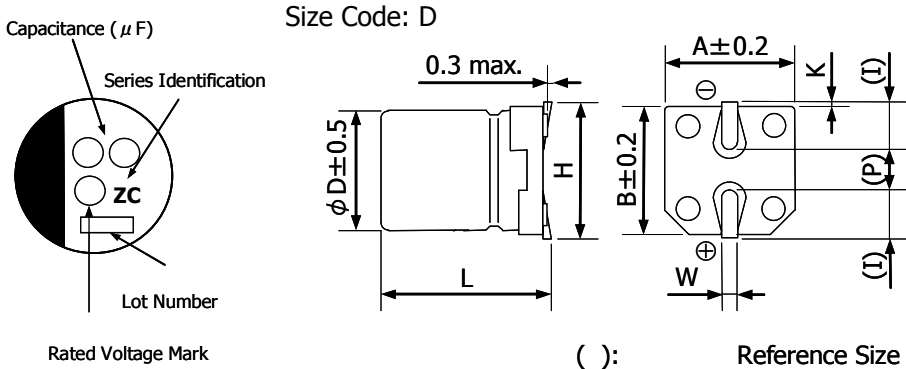
Part Number: **EEHZC1H220P**

$\phi 6.3 \times 5.8$ mm / 50 V / 22 μ F / 125 °C, 4000 h

Category Temperature Range	-55 to 125 °C
Rated W.V. Range	DC 50 V
Nominal Capacitance Range	22 μ F (at 120 Hz)
Capacitance Tolerance	± 20 %

$\tan \delta$	0.10 max. (at 120 Hz)
DC Leakage Current	11 μ A (0.01CV) max. (at W.V., After 2 min)
ESR	80 m Ω max. (at 100 kHz)
Ripple Current	750 mArms max. (at 100 kHz, 125 °C)
Endurance	125 °C, 4000 h

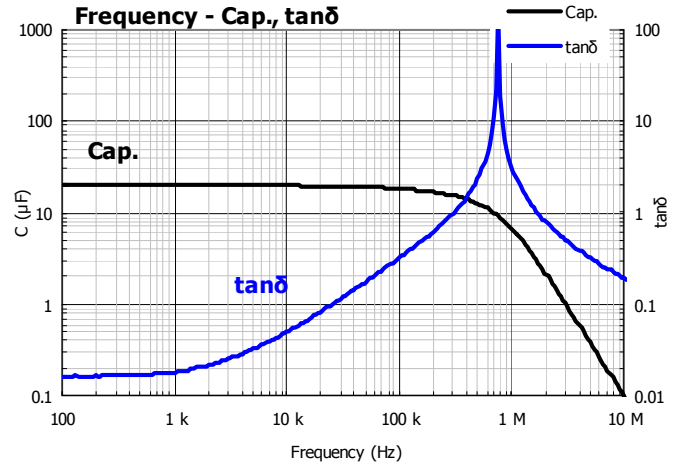
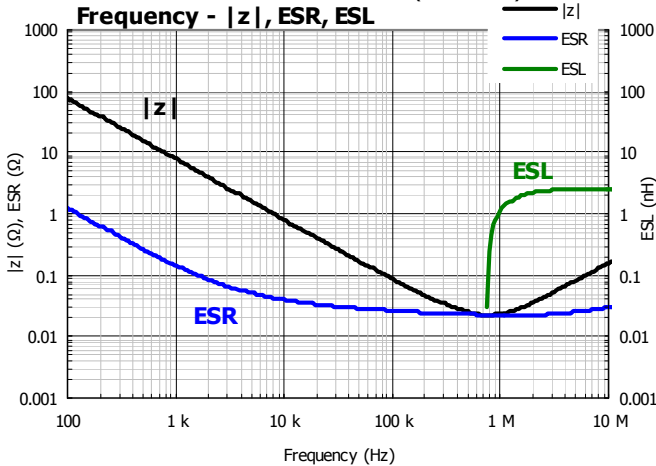
Marking, Dimensions in mm (not to scale)



	(mm)
D	6.3
L	5.8 ± 0.3
A, B	6.6
H	7.8 max.
I	2.6
W	0.65 ± 0.10
P	1.8
K	$0.35 + 0.15 / - 0.20$

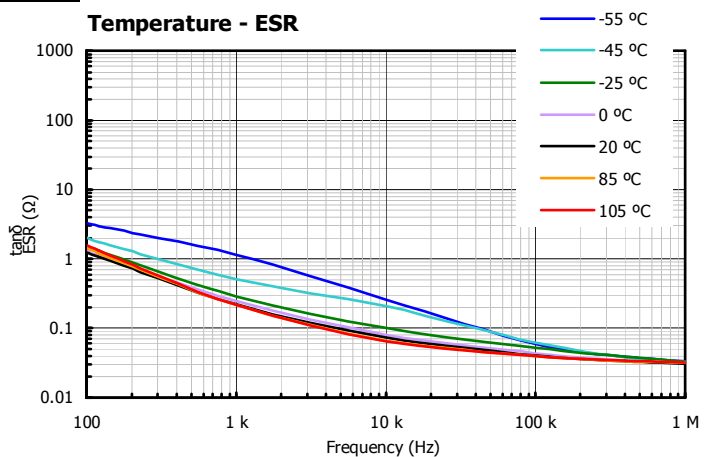
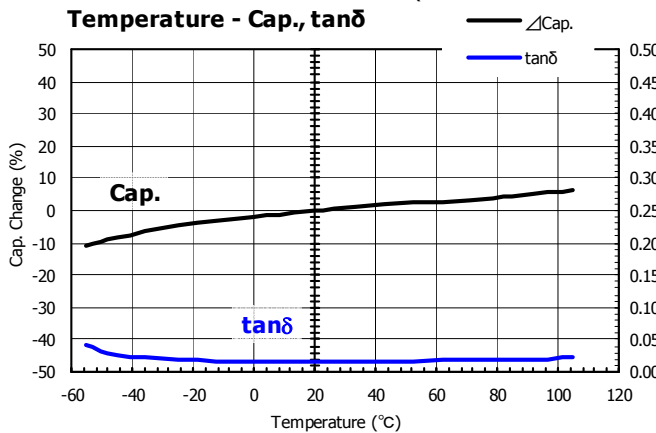
Frequency - $|z|$, ESR, ESL, Capacitance, $\tan \delta$ Characteristics

Osc. Level: 0.5 Vrms (at no load)



Temperature - Capacitance, $\tan \delta$, ESR Characteristics

Osc. Level: 1.0 Vrms (at no load)



Typical Curve

Technical Data

Conductive Polymer Hybrid Aluminum Electrolytic Capacitor

V type ZC series

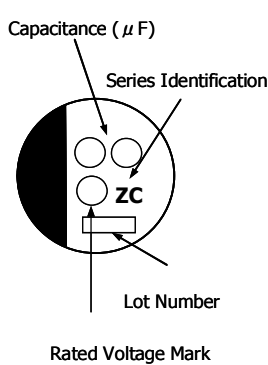
Part Number: **EEHZC1H330XP**

$\phi 6.3 \times 7.7$ mm / 50 V / 33 μ F / 125 °C, 4000 h

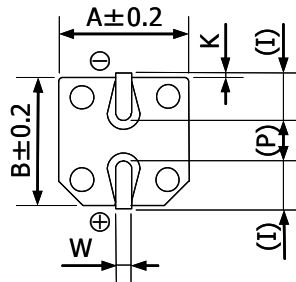
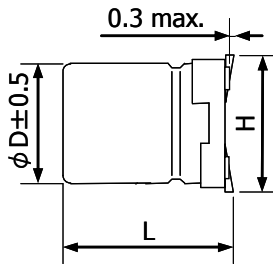
Category Temperature Range	-55 to 125 °C
Rated W.V. Range	DC 50 V
Nominal Capacitance Range	33 μ F (at 120 Hz)
Capacitance Tolerance	± 20 %

$\tan \delta$	0.10 max. (at 120 Hz)
DC Leakage Current	16.5 μ A (0.01CV) max. (at W.V., After 2 min)
ESR	40 m Ω max. (at 100 kHz)
Ripple Current	1100 mArms max. (at 100 kHz, 125 °C)
Endurance	125 °C, 4000 h

Marking, Dimensions in mm (not to scale)



Size Code: D8

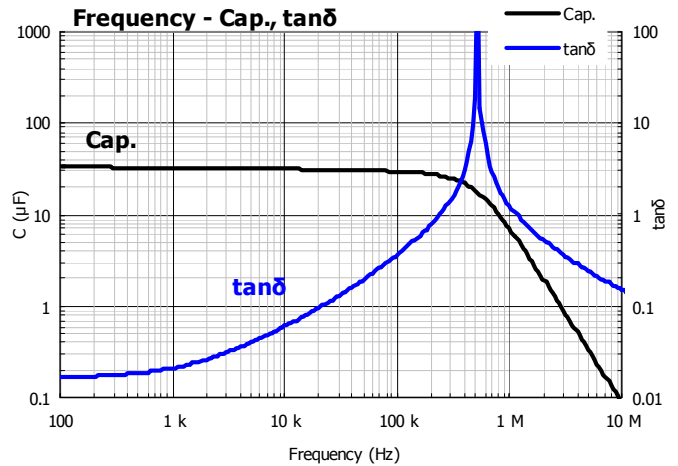
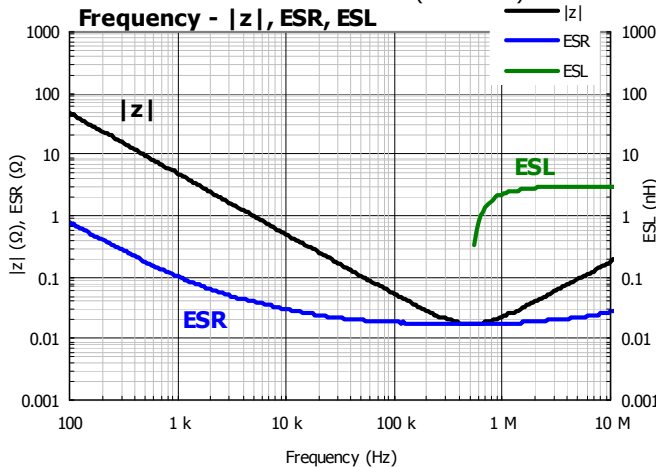


	(mm)
D	6.3
L	7.7 ± 0.3
A, B	6.6
H	7.8 max.
I	2.6
W	0.65 ± 0.10
P	1.8
K	0.35 $+0.15/-0.20$

(): Reference Size

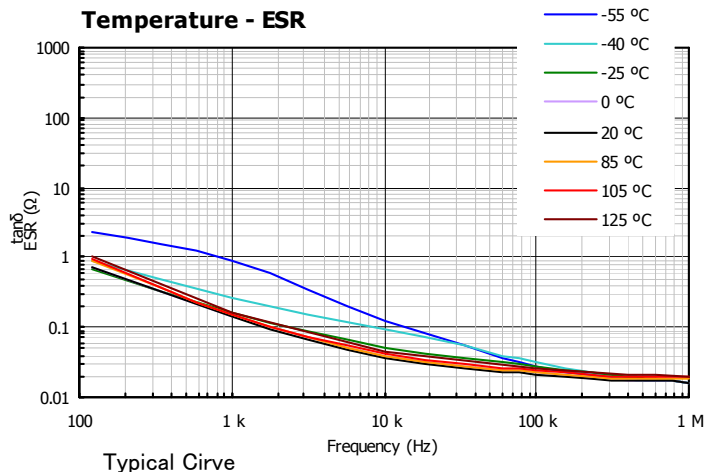
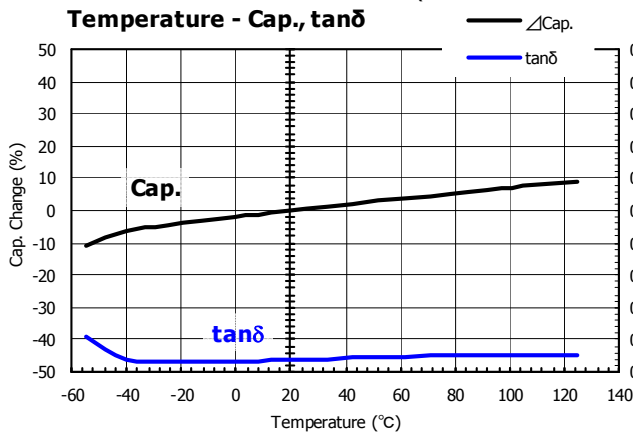
Frequency - $|z|$, ESR, ESL, Capacitance, $\tan \delta$ Characteristics

Osc. Level: 0.5 Vrms (at no load)



Temperature - Capacitance, $\tan \delta$, ESR Characteristics

Osc. Level: 1.0 Vrms (at no load)



Technical Data

Conductive Polymer Hybrid Aluminum Electrolytic Capacitor

V type ZC series

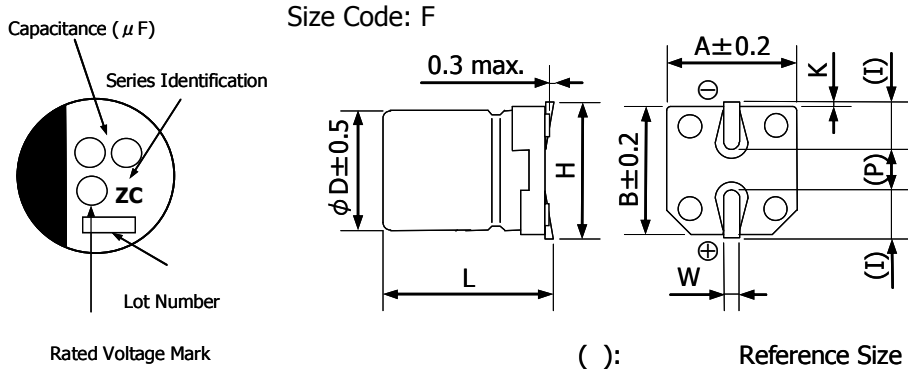
Part Number: **EEHZC1H680P**

φ8.0×10.2 mm / 50 V / 68 μF / 125 °C, 4000 h

Category Temperature Range	-55 to 125 °C
Rated W.V. Range	DC 50 V
Nominal Capacitance Range	68 μF (at 120 Hz)
Capacitance Tolerance	±20 %

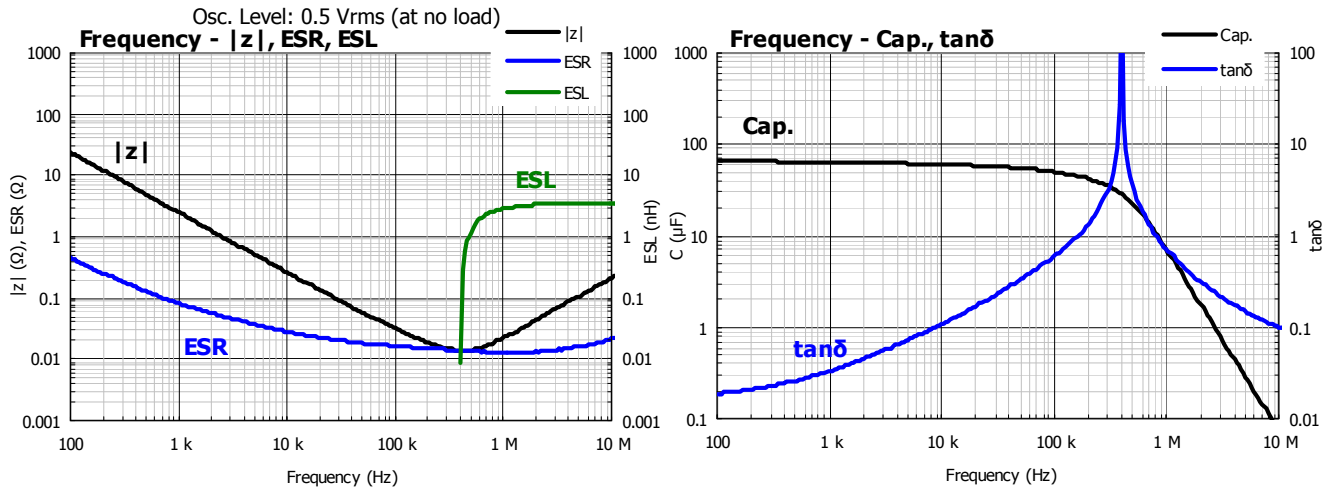
tanδ	0.1 max. (at 120 Hz)
DC Leakage Current	34 μA (0.01CV) max. (at W.V., After 2 min)
ESR	30 mΩ max. (at 100 kHz)
Ripple Current	1250 mArms max. (at 100 kHz, 125 °C)
Endurance	125 °C, 4000 h

Marking, Dimensions in mm (not to scale)

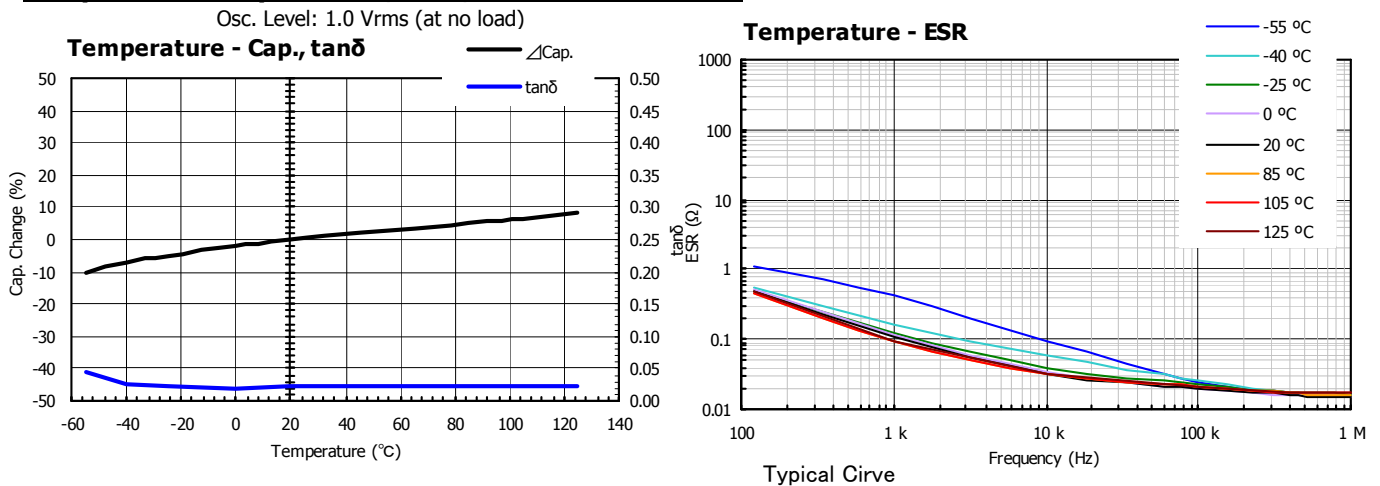


	(mm)
D	8.0
L	10.2±0.3
A, B	8.3
H	10.0 max.
I	3.4
W	0.9±0.2
P	3.1
K	0.7±0.2

Frequency - |z|, ESR, ESL, Capacitance, tanδ Characteristics



Temperature - Capacitance, tanδ, ESR Characteristics



Technical Data

Conductive Polymer Hybrid Aluminum Electrolytic Capacitor

V type ZC series

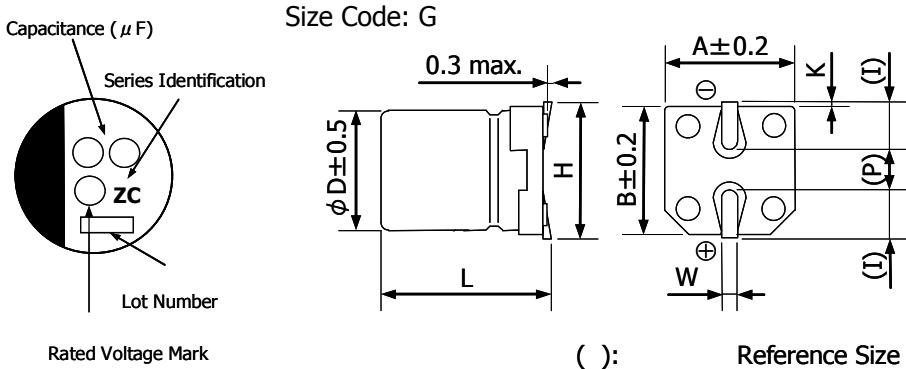
Part Number: **EEHZC1H101P**

$\phi 10.0 \times 10.2$ mm / 50 V / 100 μ F / 125 °C, 4000 h

Category Temperature Range	-55 to 125 °C
Rated W.V. Range	DC 50 V
Nominal Capacitance Range	100 μ F (at 120 Hz)
Capacitance Tolerance	± 20 %

$\tan \delta$	0.1 max. (at 120 Hz)
DC Leakage Current	50 μ A (0.01CV) max. (at W.V., After 2 min)
ESR	28 m Ω max. (at 100 kHz)
Ripple Current	1600 mArms max. (at 100 kHz, 105 °C)
Endurance	125 °C, 4000 h

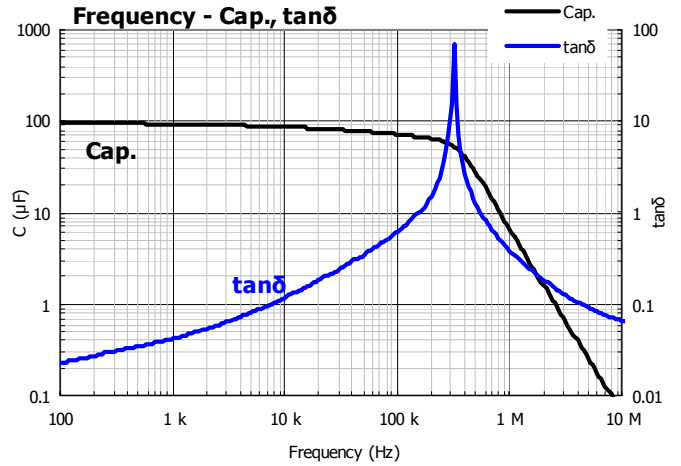
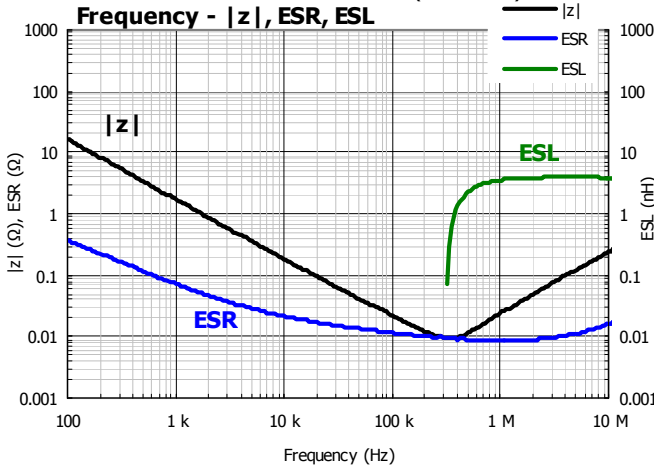
Marking, Dimensions in mm (not to scale)



	(mm)
D	10.0
L	10.2 \pm 0.3
A, B	10.3
H	12.0 max.
I	3.5
W	0.9 \pm 0.2
P	4.6
K	0.7 \pm 0.2

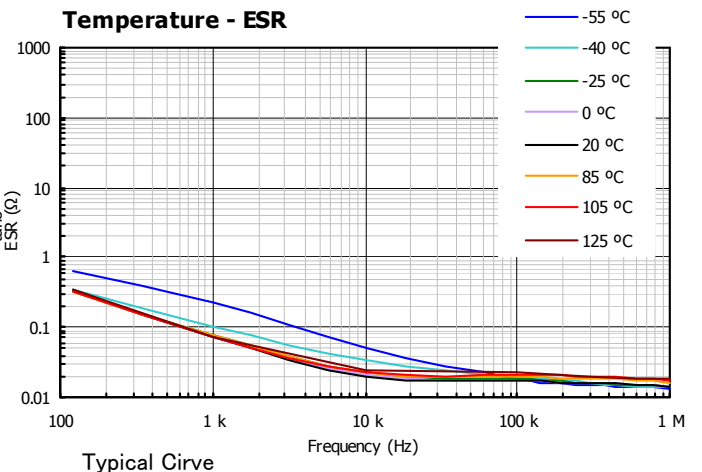
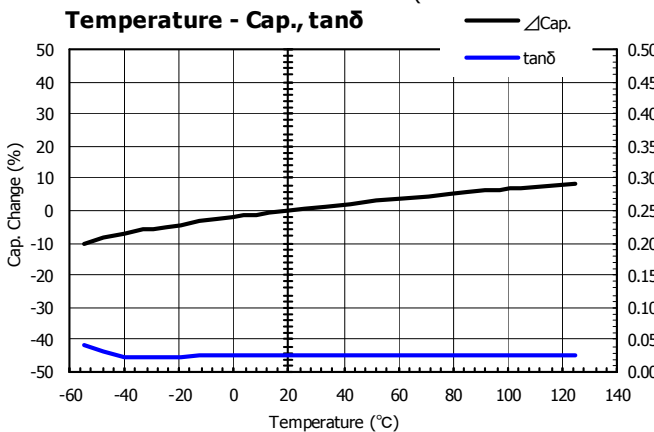
Frequency - |z|, ESR, ESL, Capacitance, $\tan \delta$ Characteristics

Osc. Level: 0.5 Vrms (at no load)



Temperature - Capacitance, $\tan \delta$, ESR Characteristics

Osc. Level: 1.0 Vrms (at no load)



Technical Data

Conductive Polymer Hybrid Aluminum Electrolytic Capacitor

V type ZC series

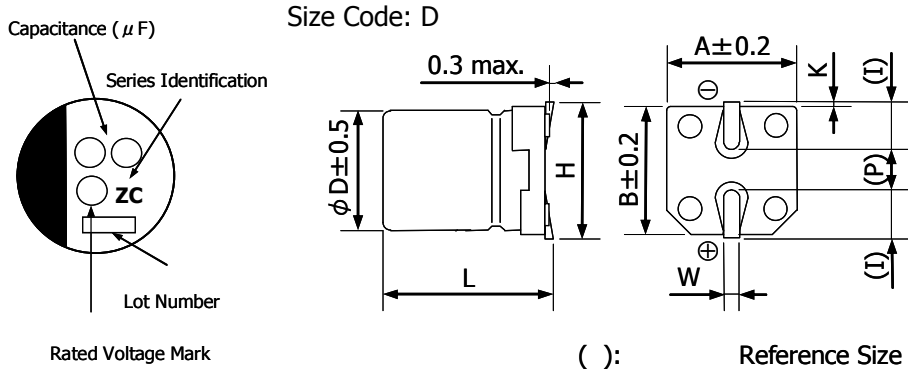
Part Number: **EEHZC1J100P**

$\phi 6.3 \times 5.8$ mm / 63 V / 10 μ F / 125 °C, 4000 h

Category Temperature Range	-55 to 125 °C
Rated W.V. Range	DC 63 V
Nominal Capacitance Range	10 μ F (at 120 Hz)
Capacitance Tolerance	± 20 %

$\tan \delta$	0.08 max. (at 120 Hz)
DC Leakage Current	6.3 μ A (0.01CV) max. (at W.V., After 2 min)
ESR	120 m Ω max. (at 100 kHz)
Ripple Current	700 mArms max. (at 100 kHz, 125 °C)
Endurance	125 °C, 4000 h

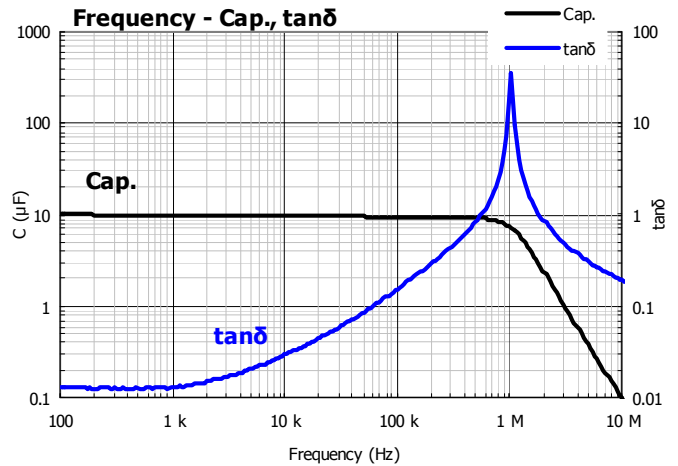
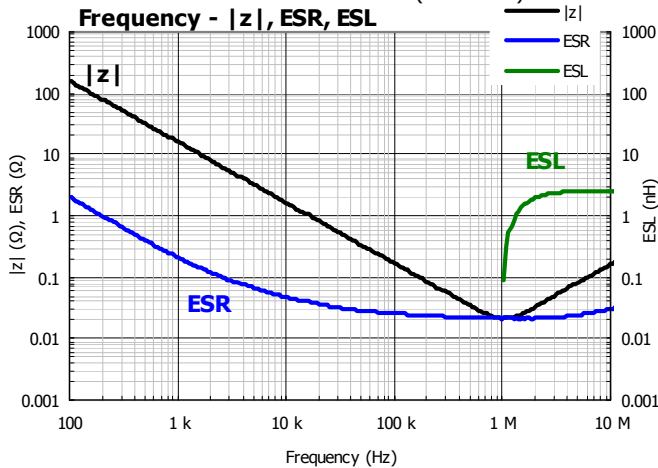
Marking, Dimensions in mm (not to scale)



	(mm)
D	6.3
L	5.8 ± 0.3
A, B	6.6
H	7.8 max.
I	2.6
W	0.65 ± 0.10
P	1.8
K	0.35 $\pm 0.15 / -0.20$

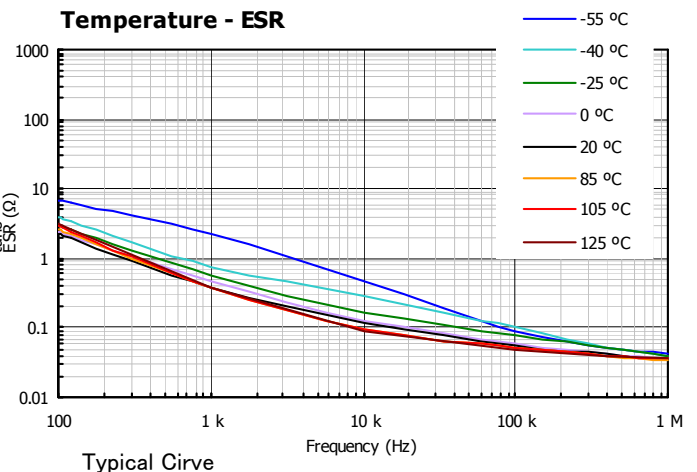
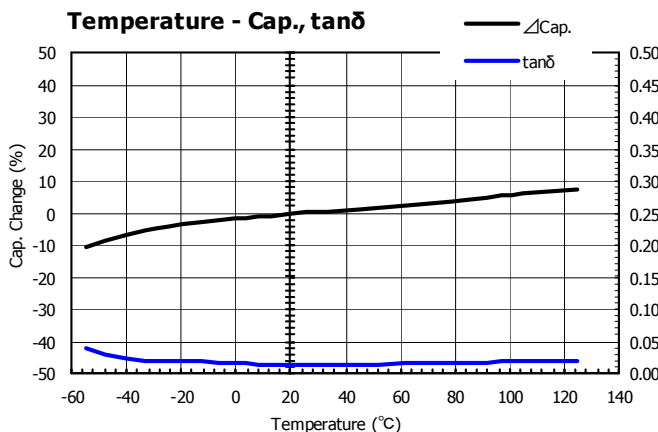
Frequency - $|z|$, ESR, ESL, Capacitance, $\tan \delta$ Characteristics

Osc. Level: 0.5 Vrms (at no load)



Temperature - Capacitance, $\tan \delta$, ESR Characteristics

Osc. Level: 1.0 Vrms (at no load)



Technical Data

Conductive Polymer Hybrid Aluminum Electrolytic Capacitor

V type ZC series

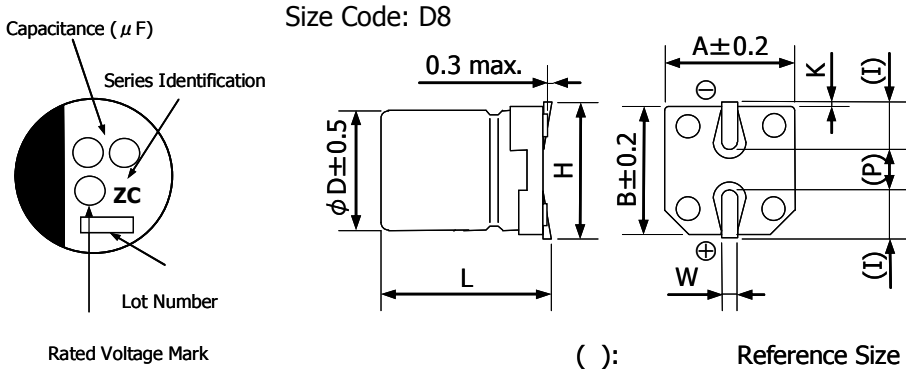
Part Number: EEHZC1J220XP

φ6.3×7.7 mm / 63 V / 22 μF / 125 °C, 4000 h

Category Temperature Range	-55 to 125 °C
Rated W.V. Range	DC 63 V
Nominal Capacitance Range	22 μF (at 120 Hz)
Capacitance Tolerance	±20 %

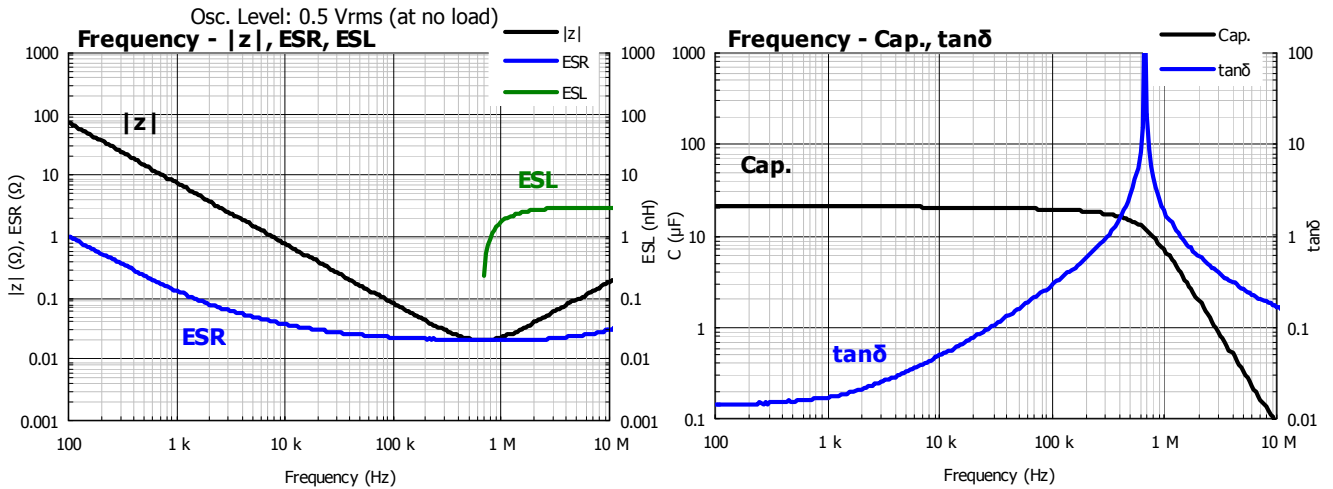
tanδ	0.08 max. (at 120 Hz)
DC Leakage Current	13.8 μA (0.01CV) max. (at W.V., After 2 min)
ESR	80 mΩ max. (at 100 kHz)
Ripple Current	900 mArms max. (at 100 kHz, 125 °C)
Endurance	125 °C, 4000 h

Marking, Dimensions in mm (not to scale)

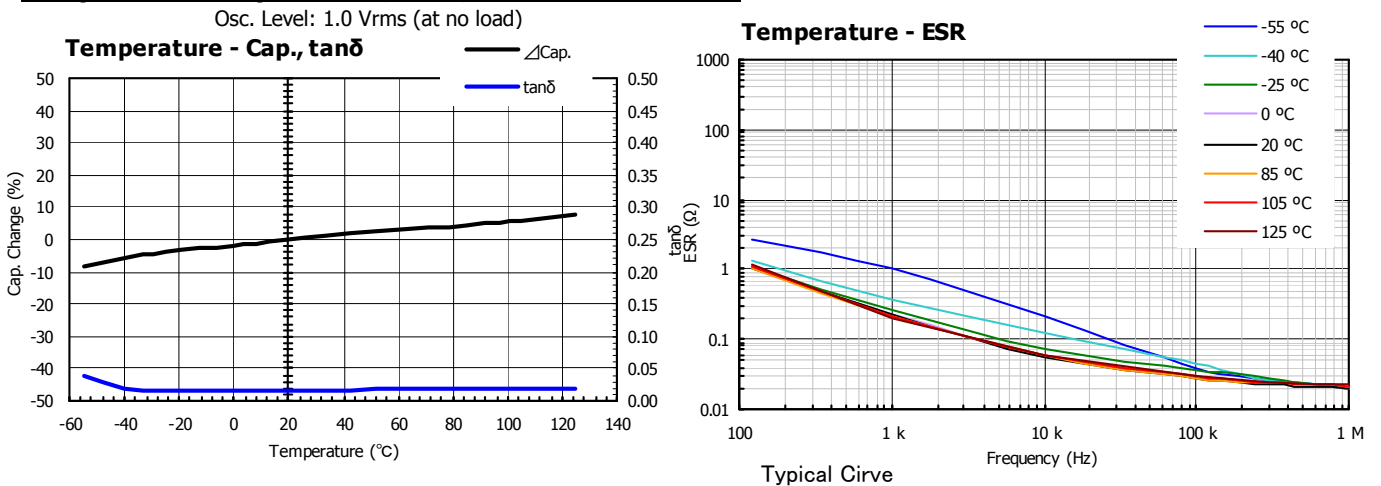


	(mm)
D	6.3
L	7.7±0.3
A, B	6.6
H	7.8 max.
I	2.6
W	0.65±0.10
P	1.8
K	0.35+0.15/-0.20

Frequency - |z|, ESR, ESL, Capacitance, tanδ Characteristics



Temperature - Capacitance, tanδ, ESR Characteristics



Technical Data

Conductive Polymer Hybrid Aluminum Electrolytic Capacitor

V type ZC series

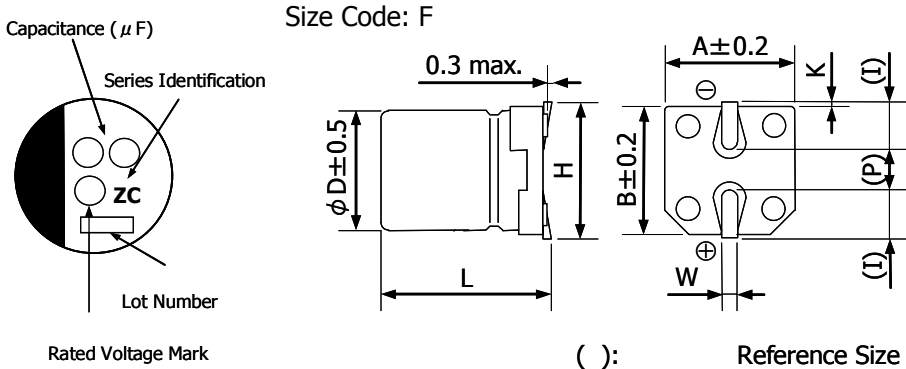
Part Number: **EEHZC1J330P**

$\phi 8.0 \times 10.2$ mm / 63 V / 33 μ F / 125 °C, 4000 h

Category Temperature Range	-55 to 125 °C
Rated W.V. Range	DC 63 V
Nominal Capacitance Range	33 μ F (at 120 Hz)
Capacitance Tolerance	± 20 %

$\tan \delta$	0.08 max. (at 120 Hz)
DC Leakage Current	20.7 μ A (0.01CV) max. (at W.V., After 2 min)
ESR	40 m Ω max. (at 100 kHz)
Ripple Current	1100 mArms max. (at 100 kHz, 125 °C)
Endurance	125 °C, 4000 h

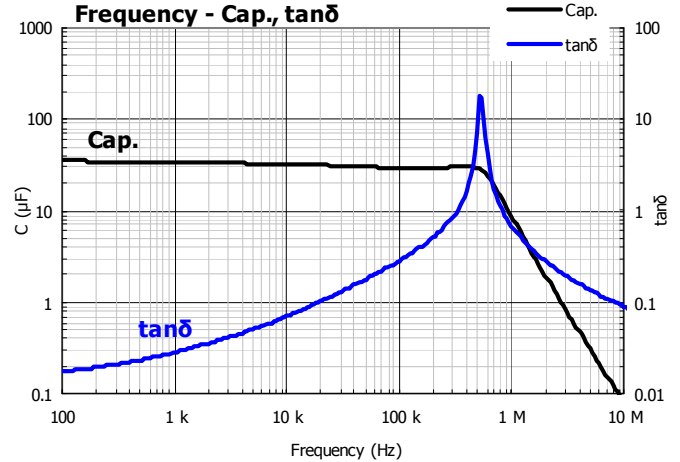
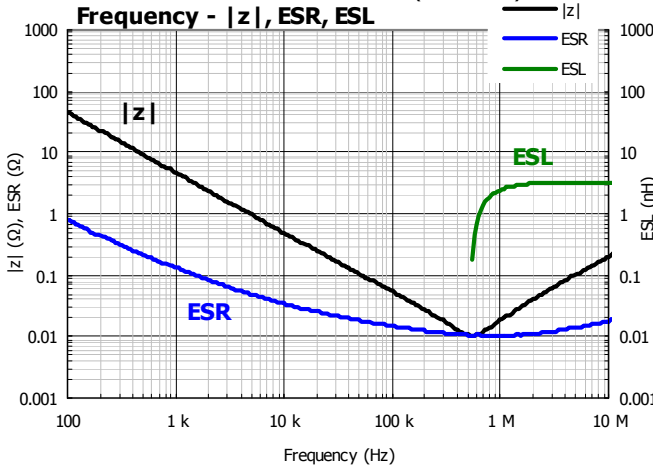
Marking, Dimensions in mm (not to scale)



	(mm)
D	8.0
L	10.2 \pm 0.3
A, B	8.3
H	10.0 max.
I	3.4
W	0.9 \pm 0.2
P	3.1
K	0.7 \pm 0.2

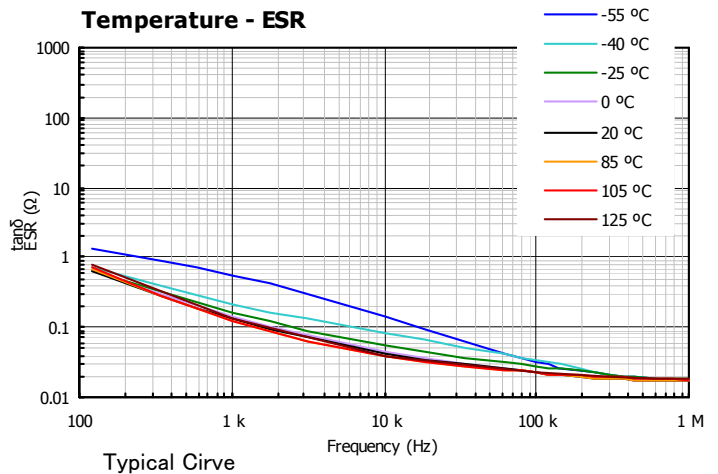
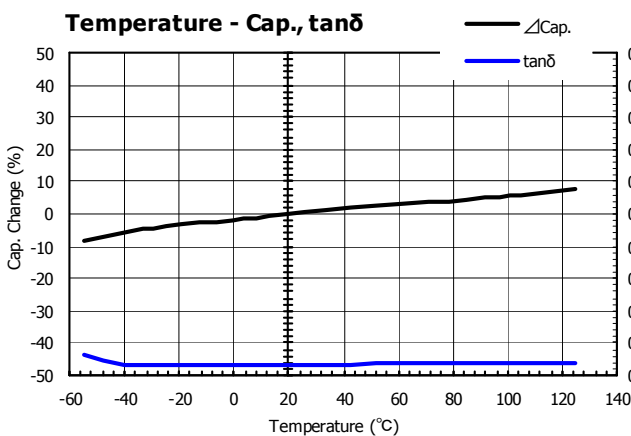
Frequency - |z|, ESR, ESL, Capacitance, $\tan \delta$ Characteristics

Osc. Level: 0.5 Vrms (at no load)



Temperature - Capacitance, $\tan \delta$, ESR Characteristics

Osc. Level: 1.0 Vrms (at no load)



Technical Data

Conductive Polymer Hybrid Aluminum Electrolytic Capacitor

V type ZC series

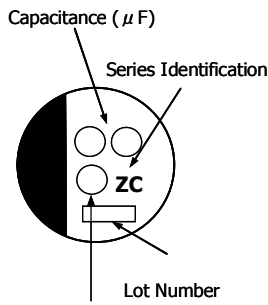
Part Number: **EEHZC1J560P**

$\phi 10.0 \times 10.2$ mm / 63 V / 56 μ F / 125 °C, 4000 h

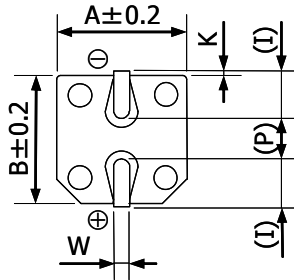
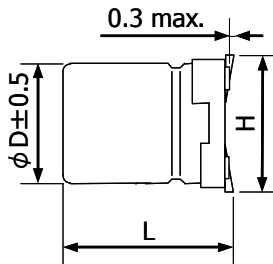
Category Temperature Range	-55 to 125 °C
Rated W.V. Range	DC 63 V
Nominal Capacitance Range	56 μ F (at 120 Hz)
Capacitance Tolerance	± 20 %

$\tan \delta$	0.08 max. (at 120 Hz)
DC Leakage Current	35.2 μ A (0.01CV) max. (at W.V., After 2 min)
ESR	30 m Ω max. (at 100 kHz)
Ripple Current	1400 mArms max. (at 100 kHz, 125 °C)
Endurance	125 °C, 4000 h

Marking, Dimensions in mm (not to scale)



Size Code: G



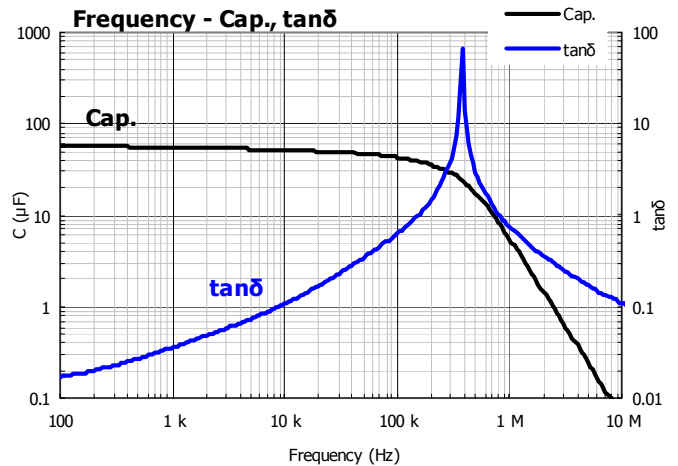
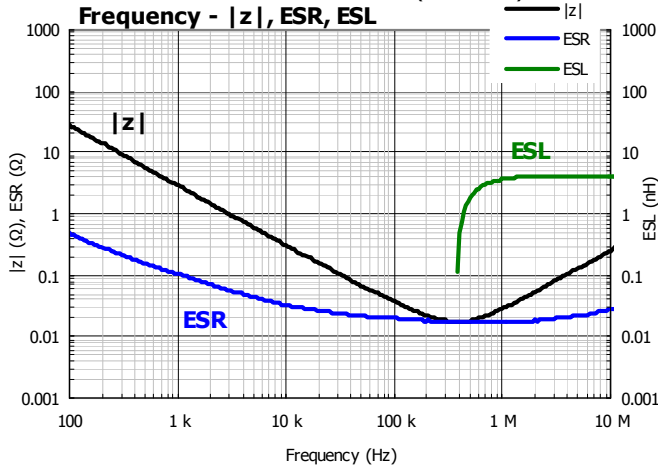
	(mm)
D	10.0
L	10.2 \pm 0.3
A, B	10.3
H	12.0 max.
I	3.5
W	0.9 \pm 0.2
P	4.6
K	0.7 \pm 0.2

Rated Voltage Mark

(): Reference Size

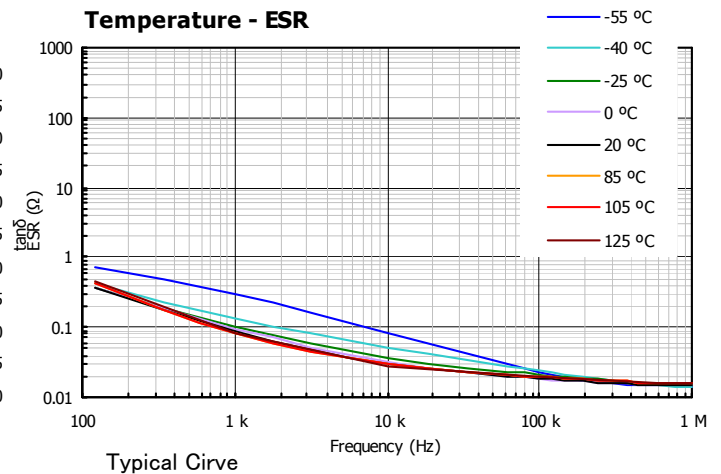
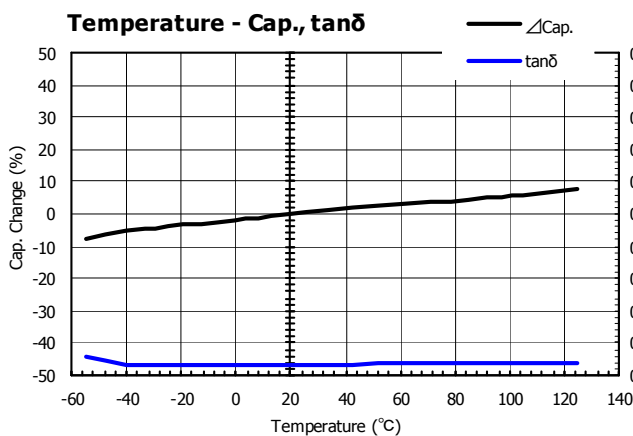
Frequency - $|z|$, ESR, ESL, Capacitance, $\tan \delta$ Characteristics

Osc. Level: 0.5 Vrms (at no load)



Temperature - Capacitance, $\tan \delta$, ESR Characteristics

Osc. Level: 1.0 Vrms (at no load)



M E M O

M E M O

Technical Data of Conductive Polymer Hybrid
Aluminium Electrolytic Capacitors

The First edition : July 1st 2013

The Second edition : June 1st 2014

Yamaguchi Plant, Device Solutions Business Division
Issued by Automotive & Industrial Systems Company, Panasonic Co., Ltd.

Engineering 1 Section, Engineering Department

Tel: +81-83-922-8121

All rights reserved. No part of this publication may be reproduced or utilized in any form or by any means, electronic or mechanical, including photocopying and microfilm, without permission in writing from the publisher.