

6

5

4

3

2

1

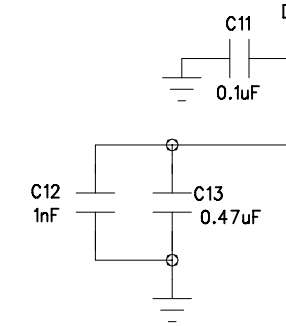
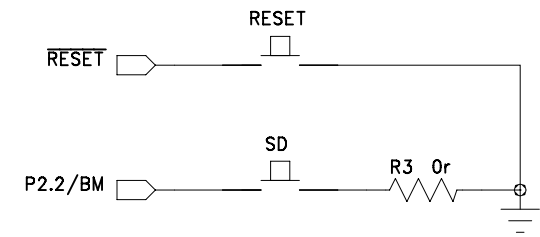
D

C

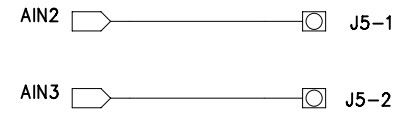
B

A

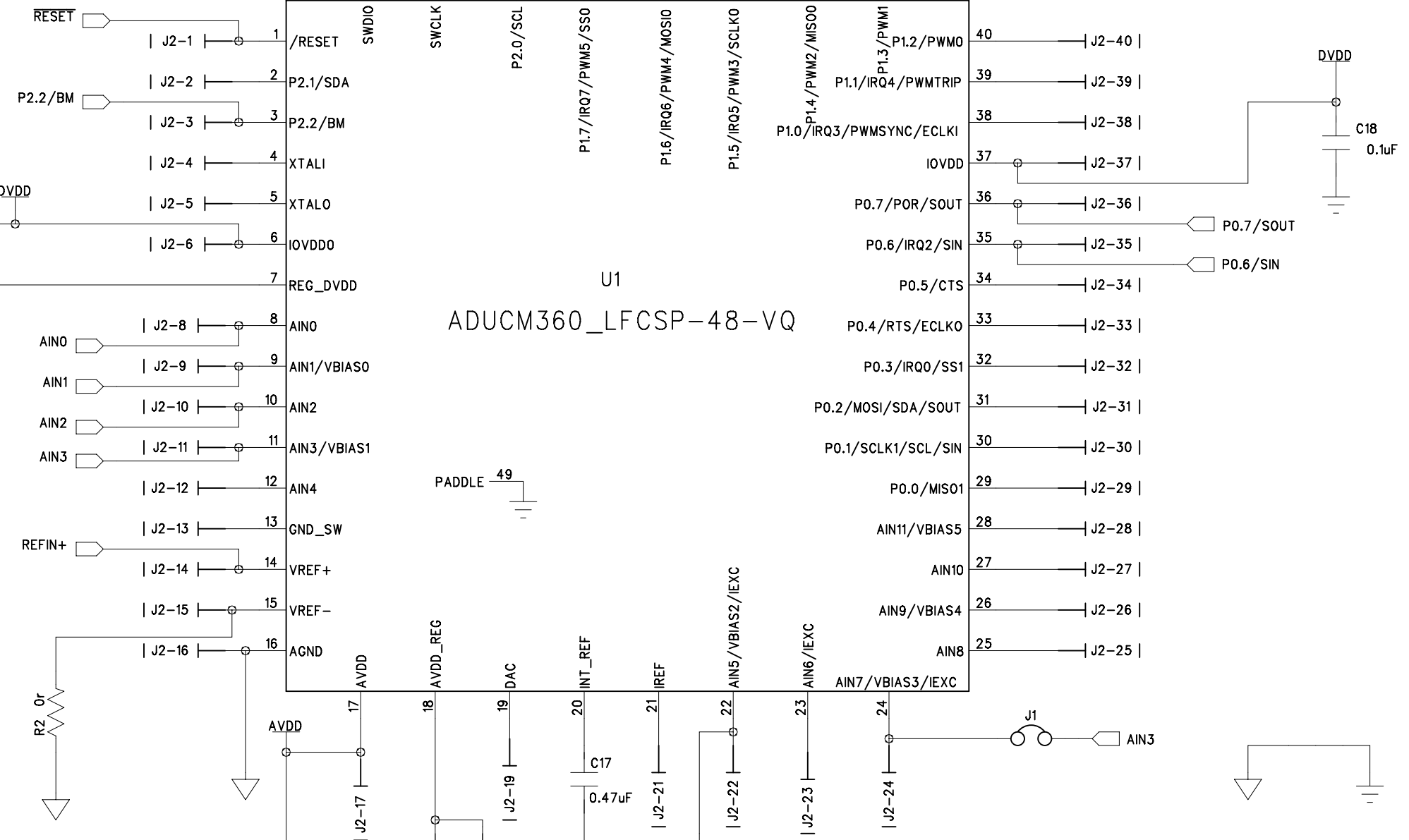
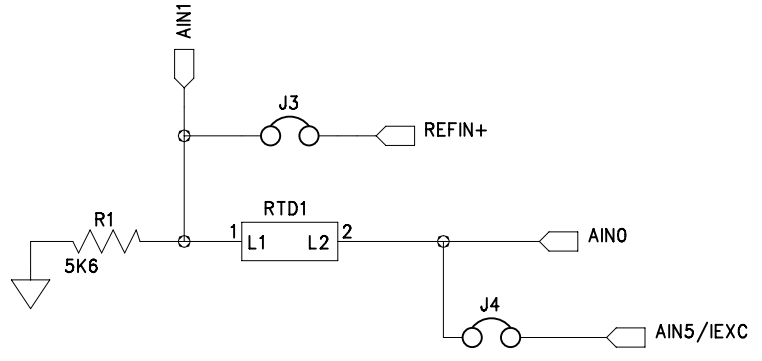
REVISION RECORD			
LTR	ECO NO:	APPROVED:	DATE:



**TERMINAL BLOCK (3.5MM) 2 WAY**



**RTD1, R1, J1**



COMPANY: Analog Devices Inc.			
TITLE: EVAL-ADuCM360 Thermocouple ADuCM360			
DRAWN: Alexandru Buda	DATED: Apr 2011	CODE:	REV: 0
CHECKED:	DATED:	SIZE: A4	DRAWING NO: EVAL-ADuCM360TCZ
QUALITY CONTROL:	DATED:	SHEET: 1 OF 3	
RELEASED:	DATED:	SCALE:	

D

C

B

A

6

5

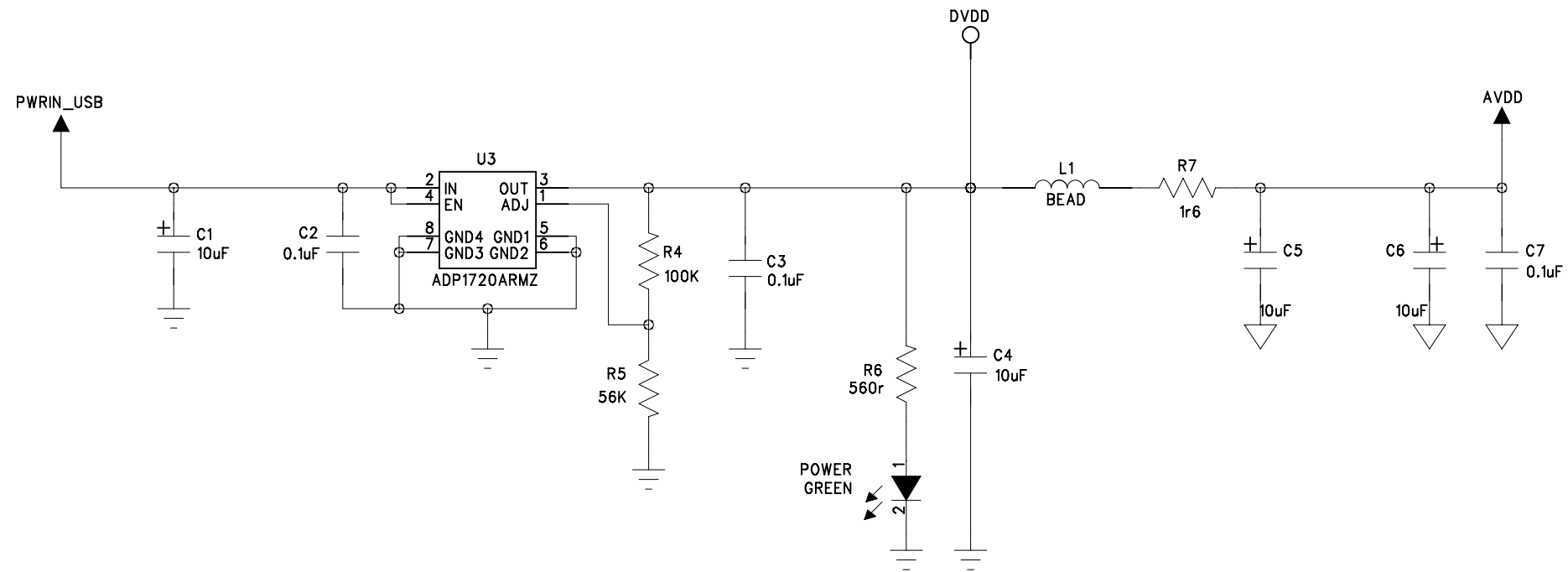
4

3

2

1

REVISION RECORD			
LTR	ECO NO:	APPROVED:	DATE:



COMPANY:				Analog Devices Inc.			
TITLE:				EVAL-ADuCM360 Thermocouple POWER			
CODE:	SIZE:	DRAWING NO:		REV:			
	A4	EVAL-ADuCM360TCZ		0			
SCALE:				SHEET: 2 OF 3			

DRAWN:	DATED:
Alexandru Buda	Apr 2011
CHECKED:	DATED:
QUALITY CONTROL:	DATED:
RELEASED:	DATED:

D

C

B

A

D

C

B

A

6

5

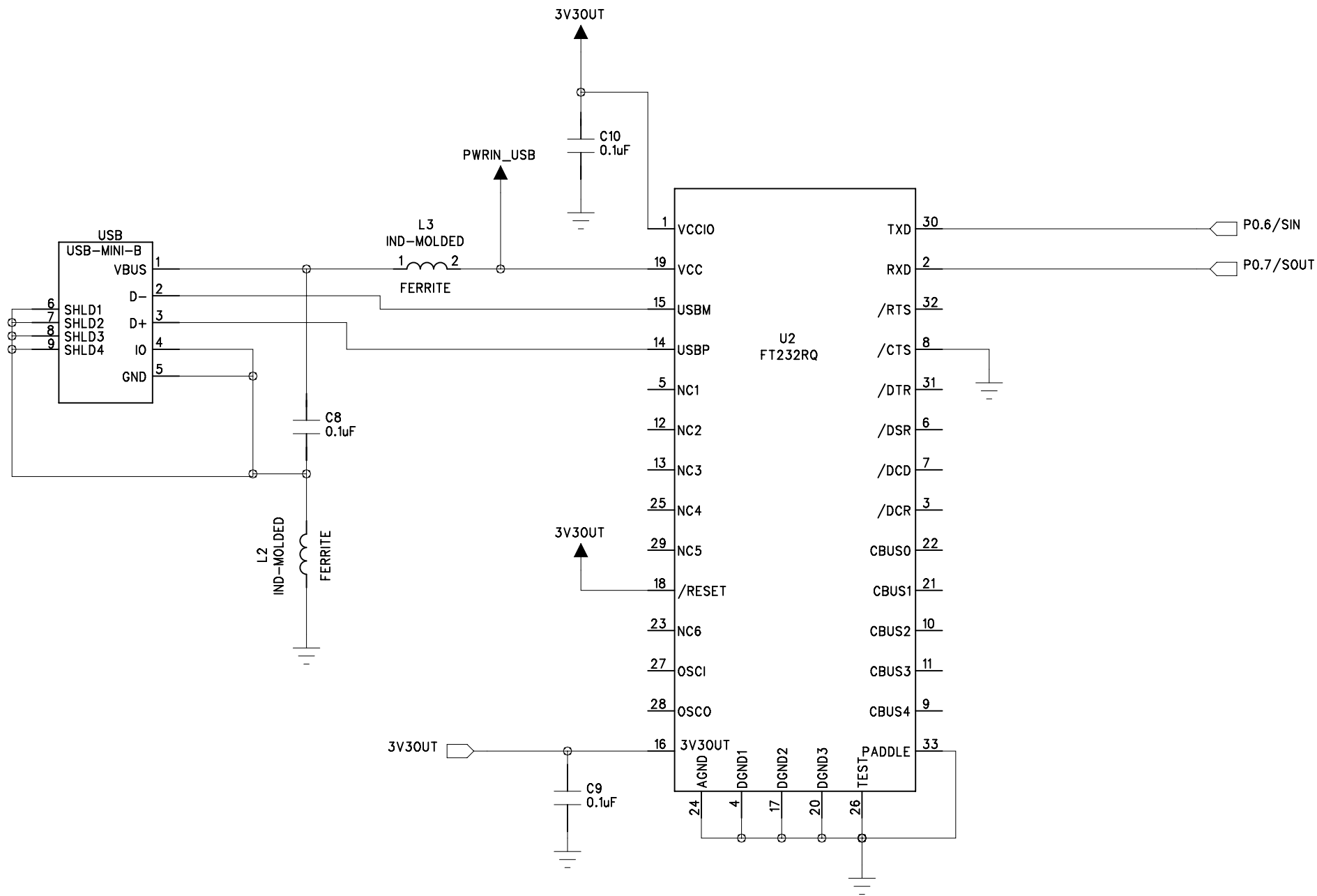
4

3

2

1

REVISION RECORD			
LTR	ECO NO:	APPROVED:	DATE:



COMPANY:				Analog Devices Inc.			
TITLE:				EVAL-ADuCM360 Thermocouple UART / USB			
CODE:	SIZE:	DRAWING NO:		REV:			
	A4	EVAL-ADuCM360TCZ		0			
SCALE:				SHEET: 3 OF 3			

DRAWN: Alexandru Buda	DATED: Apr 2011
CHECKED:	DATED:
QUALITY CONTROL:	DATED:
RELEASED:	DATED:

D

C

B

A

D

C

B

A