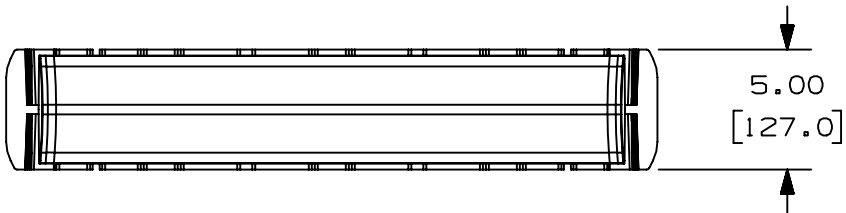


2

1

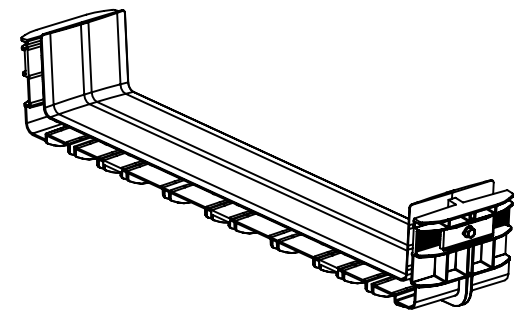
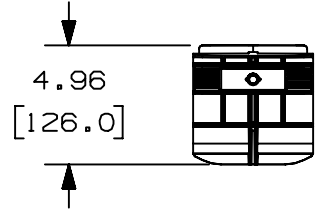
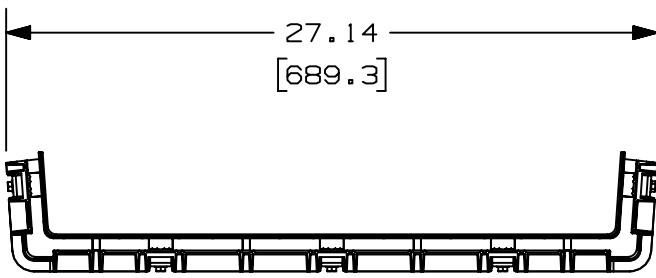
THIS COPY IS PROVIDED ON A RESTRICTED BASIS AND IS NOT TO BE USED IN ANY WAY DETRIMENTAL TO THE INTERESTS OF PANDUIT CORP.

PANDUIT PART NUMBER	WEIGHT	MATERIAL
FRBC24X4	2.55 LB/EACH (1157g/EACH)	ABS/STEEL
FRBC24X4L	2.55 LB/EACH (1157g/EACH)	PC/ABS/STEEL



NOTES:

1. SEE CURRENT CATALOG FOR ADDITIONAL PART SUFFIXES TO INDICATE COLOR AND/OR PACKAGE QUANTITY.
2. DIMENSIONS IN PARENTHESSES ARE IN METRIC.



REV	DATE	BY	CHK	APR	DESCRIPTION	ECN
00B	9/1/2020	MES	DWR	DWR	UPDATED TITLE BLOCK ADDED NEW PART NUMBER	V09002DZ/11

TITLE FIBERRUNNER 24x4 QUIKLOCK COUPLER (FRBC24X4, FRBC24X4L) CUSTOMER DRAWING	
ITEM REVISION NAME D39701BS/00	
DATASET FILE NAME D39701BS_DC/00B FRBC24X4	
UNLESS OTHERWISE SPECIFIED, DIMENSIONAL TOLERANCES ARE: (.X) ± (.XXX) ± (.XX) ± .03 (.8) ANGLES ±	
THIRD ANGLE PROJECTION	
DRAWN BY MSO	DATE
CHK SL	SCALE NONE
MATERIAL: SEE PART NUMBER TABLE ABOVE	
DRAWING NUMBER: 39701-14	
SHT 1 OF 1	SIZE A

2

1

D10.100DA/20