

PANEL CUTOUT  
MAX. PANEL THICKNESS 12mm B

SWITCH FUNCTION	
POS. 1	POS. 2
1-2	3-4

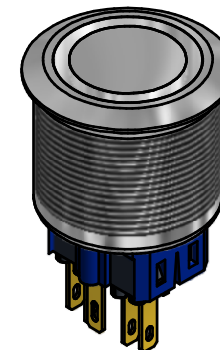
▲ ACTUATOR FINISH:  
STAINLESS STEEL

Ø28.00  
[1.102 in]

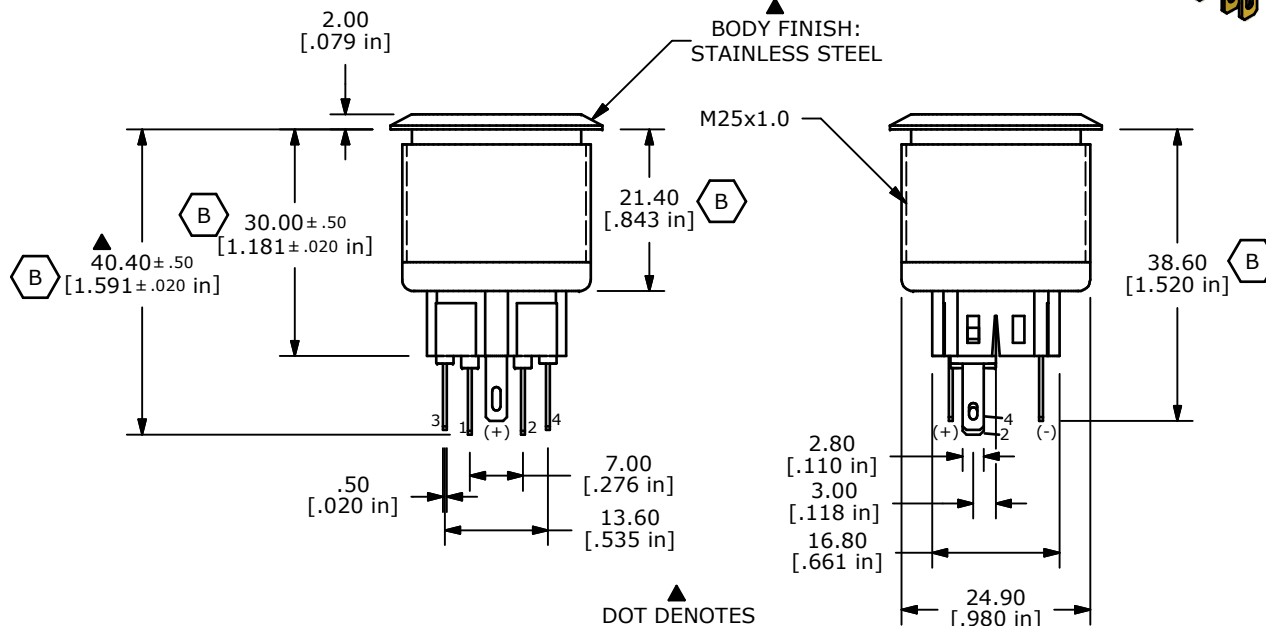
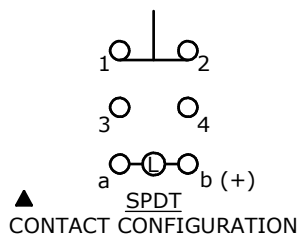
Ø19.80  
[.780 in]

RING ILLUMINATION  
GREEN

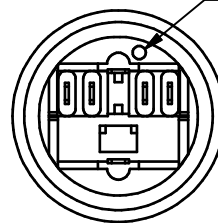
Ø15.50  
[.610 in]



▲ BODY FINISH:  
STAINLESS STEEL



▲ DOT DENOTES  
LED COLOR



NOTE:

1. ALL DIMENSIONS IN MM [INCH]
2. GENERAL TOLERANCE: X.X = ± 0.4  
X.XX = ± 0.25
3. TERMINAL NOS. FOR REF. ONLY
- ▲ 4. FUNCTION: SPDT
- ▲ 5. RATING: 2A @ 48VDC
6. ILLUMINATION VOLTAGE: 24 V
7. CONTACT RESISTANCE: 50mΩ MAX. @ 1A 12VDC
8. INSULATION RESISTANCE: 1,000MΩ @ 500VDC
9. DIELECTRIC STRENGTH: 2,000VAC MIN. FOR 1 MINUTE
10. ELECTRICAL LIFE: 50,000 CYCLES
11. OPERATING TEMPERATURE: -40°C TO 70°C
12. INGRESS PROTECTION: IP65
13. SUPPLIED HARDWARE: O-RING AND HEXNUT
- ▲ 13. DENOTES CRITICAL PARAMETER
13. 2002/95/EC (ROHS) COMPLIANT
- ▲ 14. ILLUMINATION COLOR: GREEN



B	20907	NOTED DIMS WERE WRONG	12/4/12	EBP
A	20532	RELEASE FOR PRODUCTION	4/2/2012	MM
REV	PCR NO	DESCRIPTION	DATE	BY

TITLE PV8F2T1SS-335				
SCALE	DATE	DR	DWG	REV
1:1	4/2/2012	BGL	52-PV8F2T1SS335	B

THE INFORMATION CONTAINED IN THIS DOCUMENT IS PROPRIETARY TO E-SWITCH AND IS NOT TO BE COPIED OR TRANSFERRED