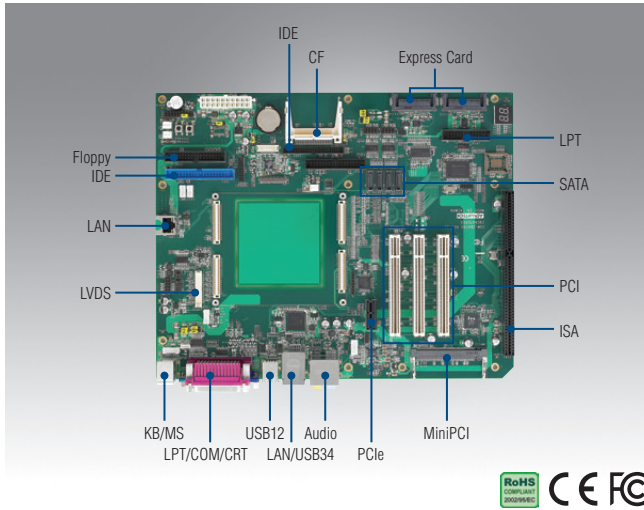


SOM-DB4700

ETX/XTX Development Board



Features

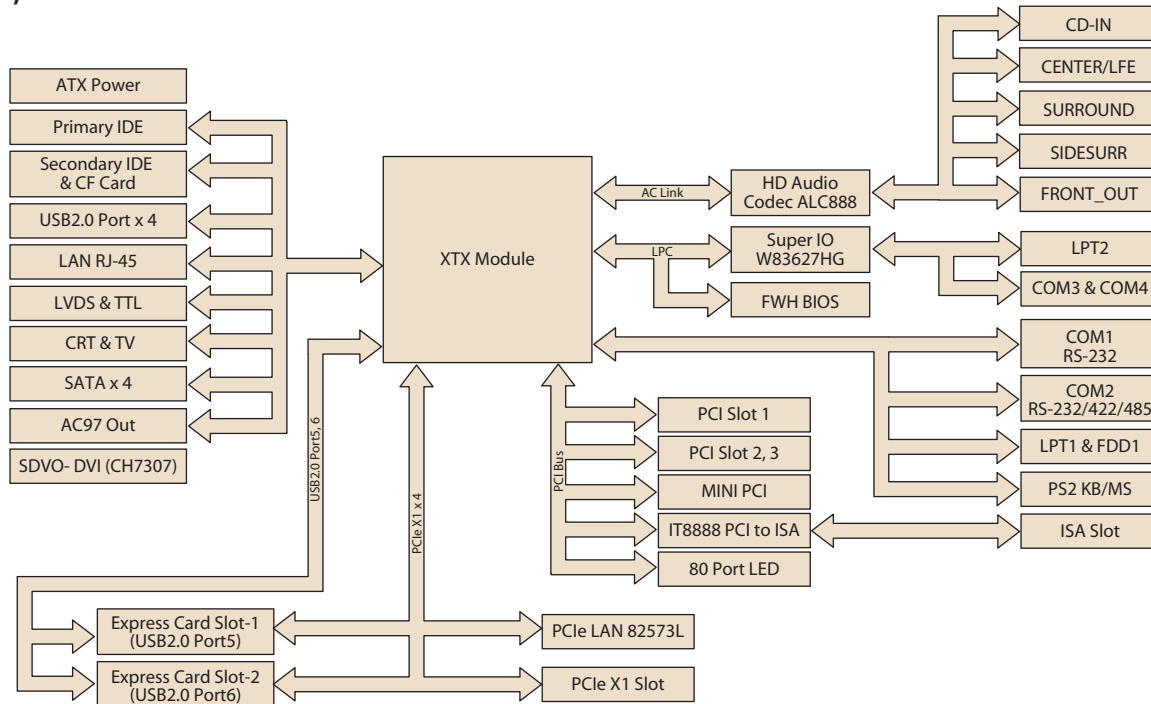
- ETX/XTX Development Board
- ATX form factor
- Display type: LVDS, DVI, VGA, TV out
- Expansion: 2 Express Card, 3 PCI, 1 Mini PCI, 1 ISA bus slot
- SATA/EIDE/FDD/LPT/Keyboard/Mouse/USB/Audio/SSD interface

Specifications

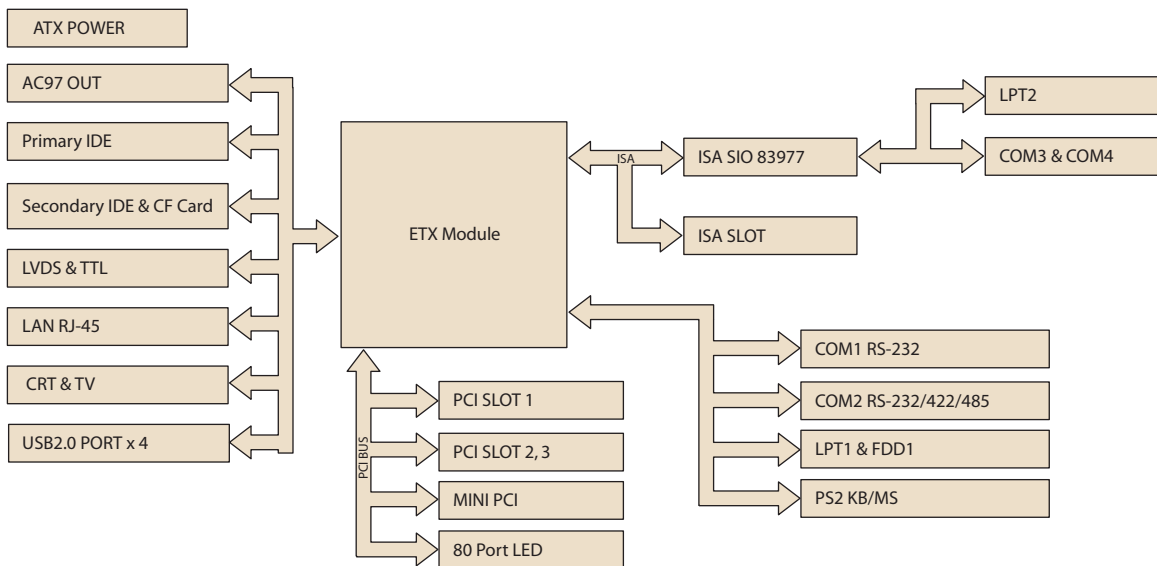
| Compatible Models | | ETX | XTX |
|-------------------|-----------------------|---|---|
| Display | LCD | TTL/LVDS (depends on CPU module) | TTL/LVDS (depends on CPU module) |
| | VGA | 1 | 1 |
| | DVI | - | 1 |
| | TV out | 1 | 1 |
| | Dual Display | TTL/LVDS, VGA, TV out | TTL/LVDS, VGA, TV out |
| Ethernet | | 1 x 10/100 | 1 x 10/100 + 1 Giga |
| Audio | | AC97 | High Definition Audio |
| Expansion | Express Card | - | 2 |
| | PCI | 3 | 2 |
| | Mini PCI | 1 | 1 |
| | ISA | 1 | 1 |
| I/O | SATA | - | 4 |
| | EIDE | 1 x 40 pin + 1 x 44 pin | 1 x 40 pin + 1 x 44 pin |
| | Serial | 4 COM ports 3 x RS-232, 1 x RS-232/422/485 | 4 COM ports 3 x RS-232, 1 x RS-232/422/485 |
| | USB | 4 x USB 2.0 | 6 x USB 2.0 |
| | LPT/FDD | 1 | 1 |
| | KB/MS | 1 | 1 |
| | CF | 1 | 1 |
| | System Fan | 2 | 2 |
| | SMBus | 1 | 1 |
| | I2C | 1 | 1 |
| | Port 80 | 1 | 1 |
| Power | Power Type | ATX mode | |
| Environment | Operating Temperature | 0 ~ 60° C (32 ~ 140° F) | |
| | Humidity | Operating: 40° C @ 95% relative humidity, non-condensing Storage: 60° C @ 95%relative humidity, non-condensing | |
| Mechanical | Dimensions | 304.8 x 190.5 mm (12" x 7.5") | |

Block Diagram

(XTX)



(ETX)



Ordering Information

| Part No. | Description |
|-------------------|----------------------------------|
| SOM-DB4700-00A1E | Development Board for ETX Rev.A1 |
| SOM-DB4700X-00A1E | Development Board for XTX Rev.A1 |

Packing List

| Part No. | Description | Quantity |
|------------------|--------------|----------|
| SOM-DB4700-00A1E | SOM-DB4700 | 1 |
| 1703050307 | TV-Out Cable | 1 |