

6

5

4

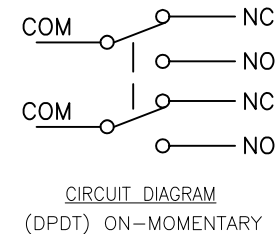
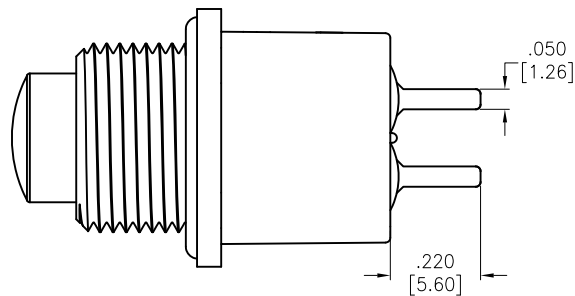
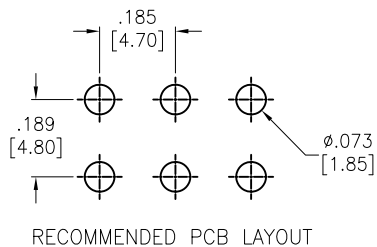
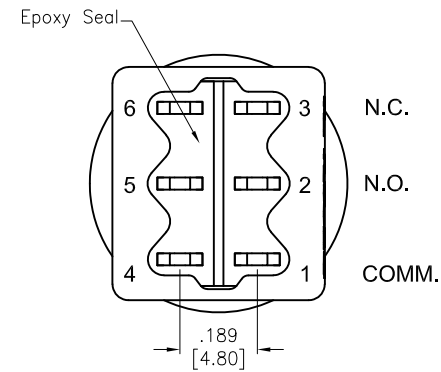
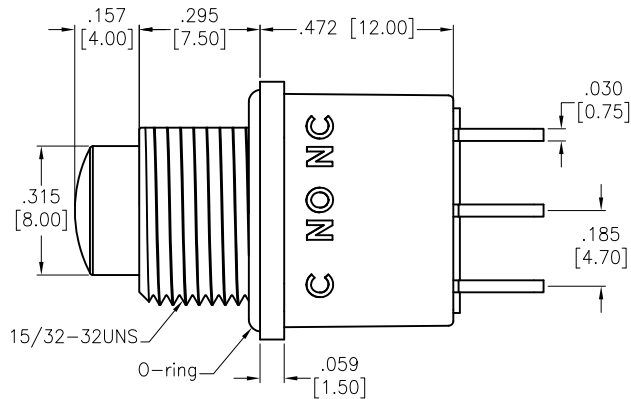
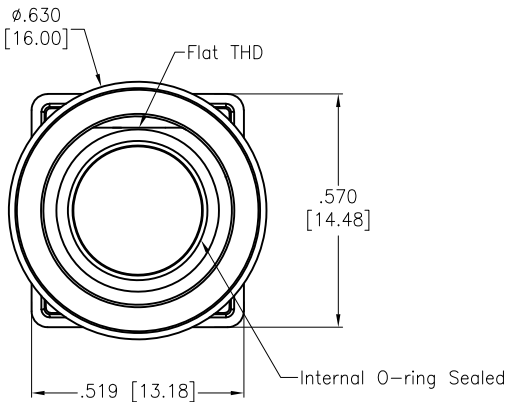
3

2

1

APPROVED: \_\_\_\_\_  
DATE: \_\_\_\_\_ TITLE: \_\_\_\_\_

Rev	AWO #	Description	Date	Appr
-		RELEASED	2/20/21	



SPECIFICATIONS:

Material:  
 Movable Contact: Copper Alloy, Silver Plated  
 Terminal: Copper Alloy, Silver Plated  
 Bushing&Plunger: Brass, Nickel Plated, Color: Black  
 Electrical:  
 Voltage rating: 120VAC or 38VDC  
 Current rating: 1 Amps  
 Contact resistance: 10 mΩ max  
 Insulation resistance: 1,000 Mohms min  
 Dielectric withstanding voltage: 1,500V RMS @Sea level  
 Mechanical:  
 Waterproof: IP68  
 Temperature Rating:  
 Operating temperature: -30°C to +85°C  
 Environmental:  
 Lead free, RoHS compliant



UNLESS OTHERWISE SPECIFIED ALL DIMENSIONS ARE INCHES [MM] TOLERANCES: EXCEPT AS NOTED		 909 Rahway Avenue, Union, NJ 07083 Phone: 908-687-5000 Fax: 908-687-5710	
INCHES			
.X ± .10	∅X ± .10	TITLE <b>SEALED PUSHBUTTON SWITCH, WATERPROOF-IP68          DPDT, ON-MOMENTARY, SILVER PLATED, PCB TYPE</b>	
.XX ± .020	∅XX ± .015		
.XXX ± .015	∅XXX ± .010		
APPROVALS		DATE	
DRAWN	LH	2/20/21	
CHECKED	AC	2/20/21	
APPROVED			
SIZE	PART NO.	REV.	
X	SW-PB10-DBB2QE-4	-	
REF:	S00198T	SCALE:	NTS
		SHEET 1 OF 1	

6

5

4

3

2

1