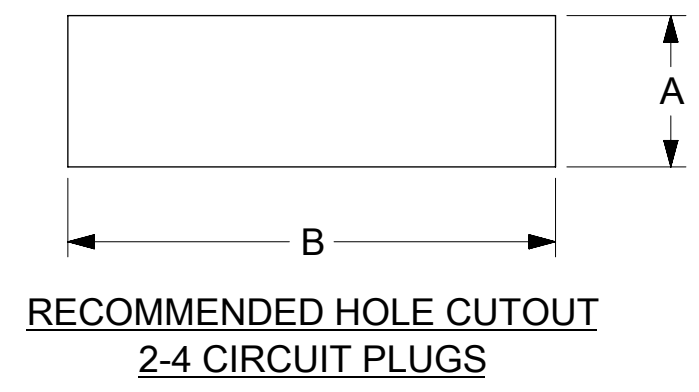
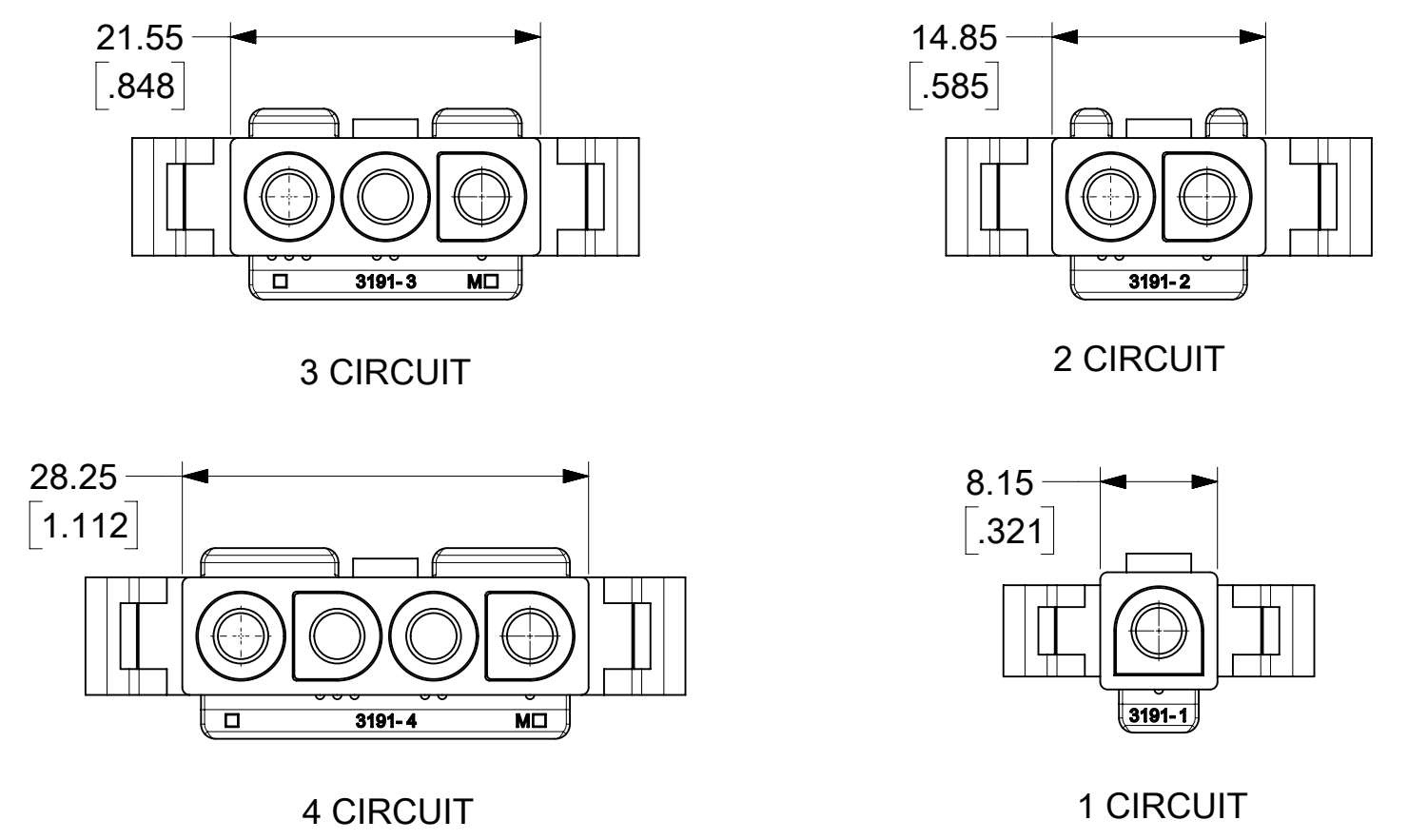
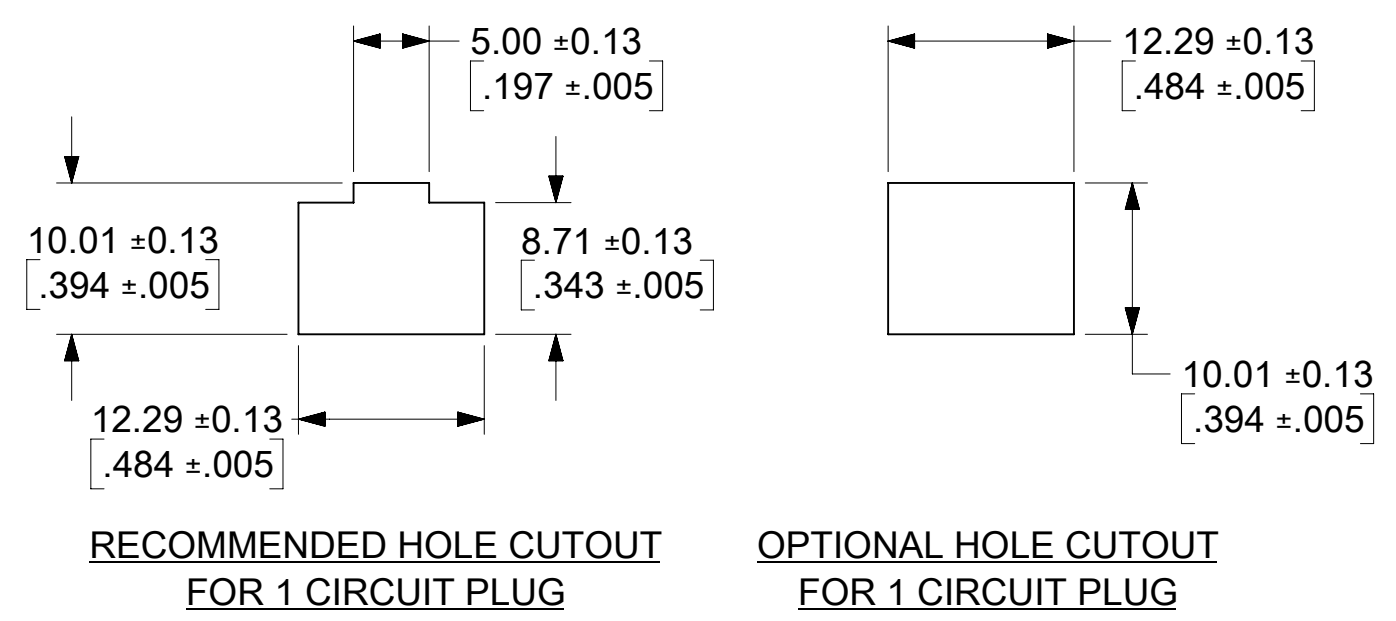


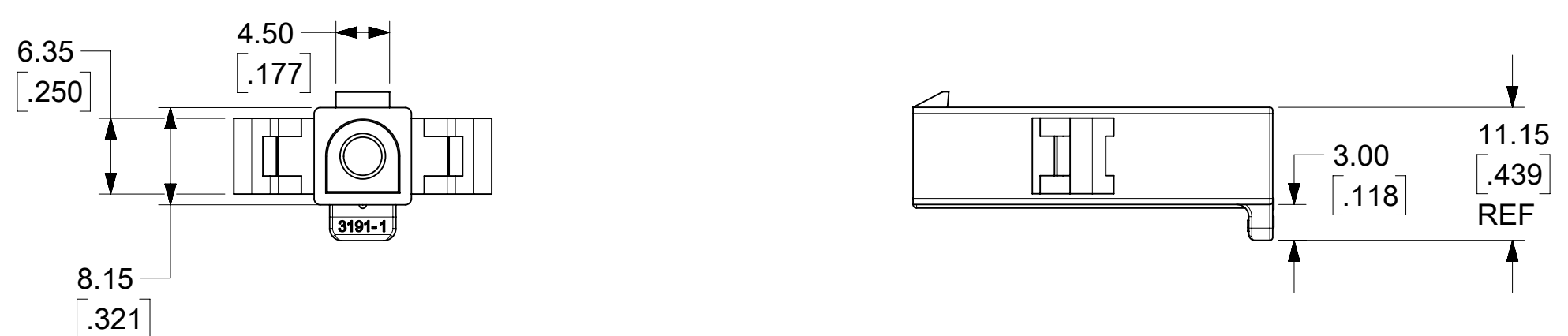
PANEL HOLE CUTOUT DIMENSIONS		
CIRCUITS	DIM. "A"	DIM. "B"
2	9.27 ±0.13 .365 ±.005	20.32 ±0.13 .800 ±.005
3	10.01 ±0.13 .394 ±.005	25.91 ±0.13 1.020 ±.005
4	10.01 ±0.13 .394 ±.005	32.26 ±0.13 1.270 ±.005



CIRCUITS	PART NO.	ENG. NO.	MATERIAL	COLOR	MOUNTING EARS	PACKAGING
1	19-09-2018	3191-1P	UL94V-2	NATURAL	YES	31910002-PK
	19-09-2019	3191-1P1	UL94V-2	NATURAL	NO	31910002-PK
	19-09-2017	3191-1P-201	UL94V-0	IVORY	YES	31910002-PK
	19-09-2016	3191-1P1-201	UL94V-0	IVORY	NO	31910002-PK
2	19-09-2028	3191-2P	UL94V-2	NATURAL	YES	31910002-PK
	19-09-2029	3191-2P1	UL94V-2	NATURAL	NO	31910002-PK
	19-09-2027	3191-2P-201	UL94V-0	IVORY	YES	31910002-PK
	19-09-2026	3191-2P1-201	UL94V-0	IVORY	NO	31910002-PK
3	19-09-2038	3191-3P	UL94V-2	NATURAL	YES	31910001-PK
	19-09-2039	3191-3P1	UL94V-2	NATURAL	NO	31910001-PK
	19-09-2037	3191-3P-201	UL94V-0	IVORY	YES	31910002-PK
	19-09-2036	3191-3P1-201	UL94V-0	IVORY	NO	31910002-PK
	19-09-3033	3191-3PBU	UL94V-2	BLUE	YES	31910002-PK
4	19-09-2048	3191-4P	UL94V-2	NATURAL	YES	31910002-PK
	19-09-2049	3191-4P1	UL94V-2	NATURAL	NO	31910002-PK
	19-09-2047	3191-4P-201	UL94V-0	IVORY	YES	31910002-PK
	19-09-2046	3191-4P1-201	UL94V-0	IVORY	NO	31910002-PK

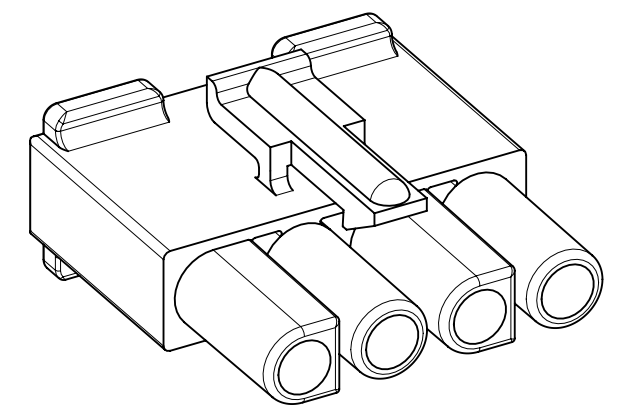
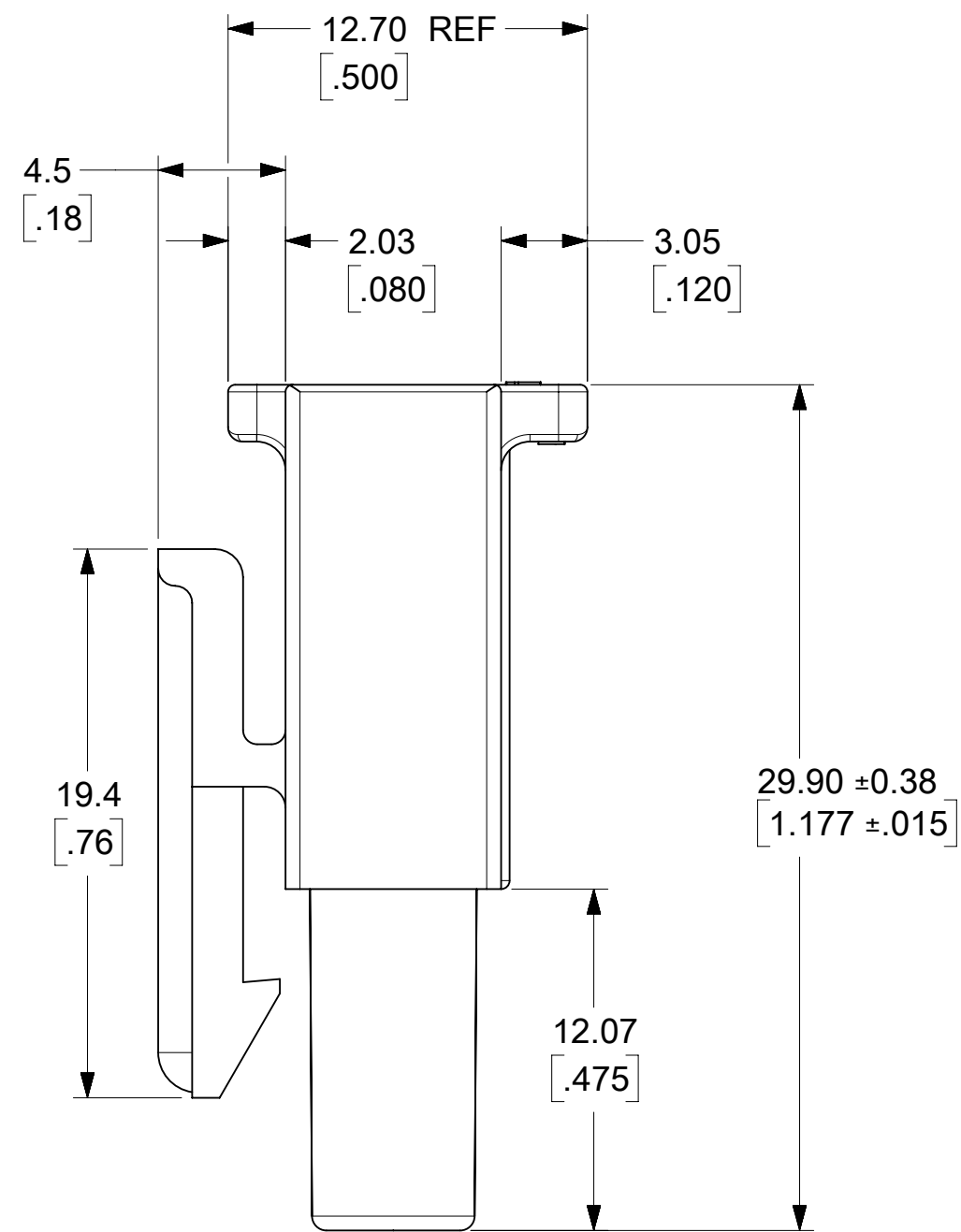
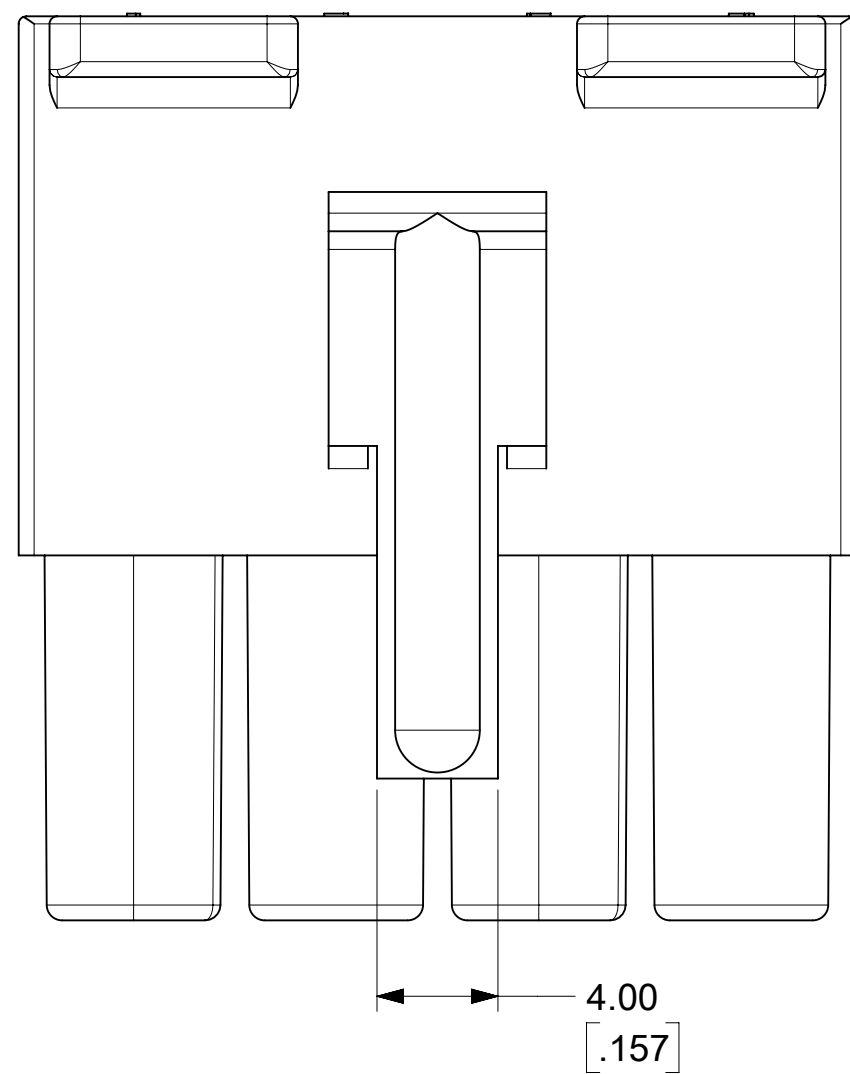
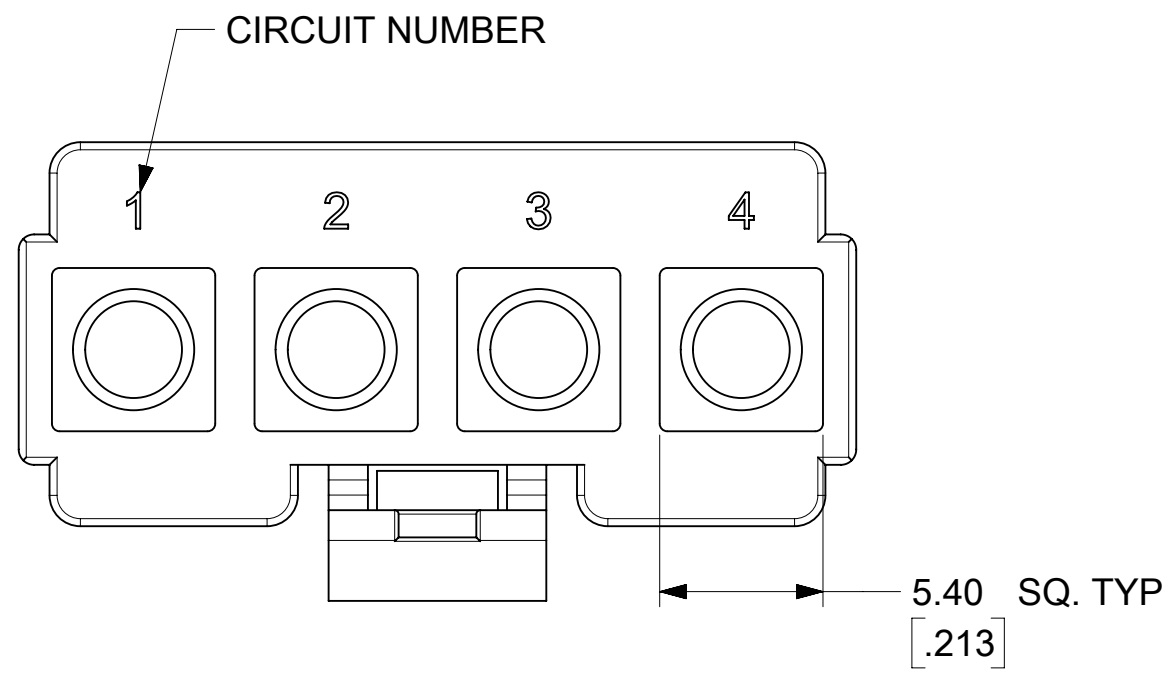


PLUG POLARIZATION

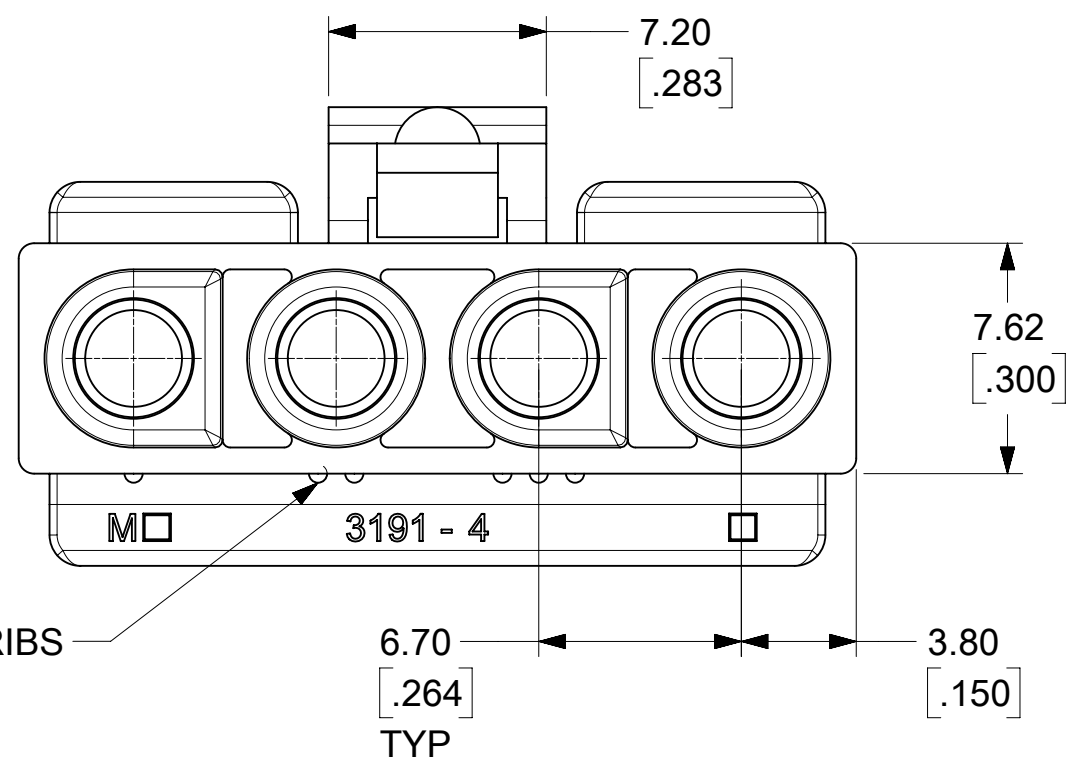


THESE DIMENSIONS APPLY TO 1 CIRCUIT PLUG ONLY
SEE SHEETS 1 FOR OTHER DIMENSIONS.

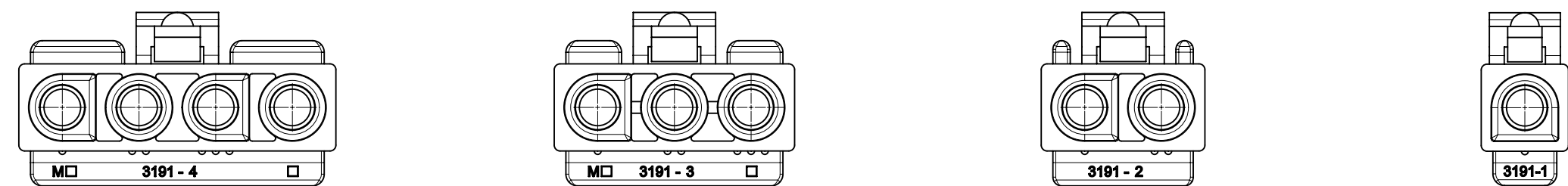
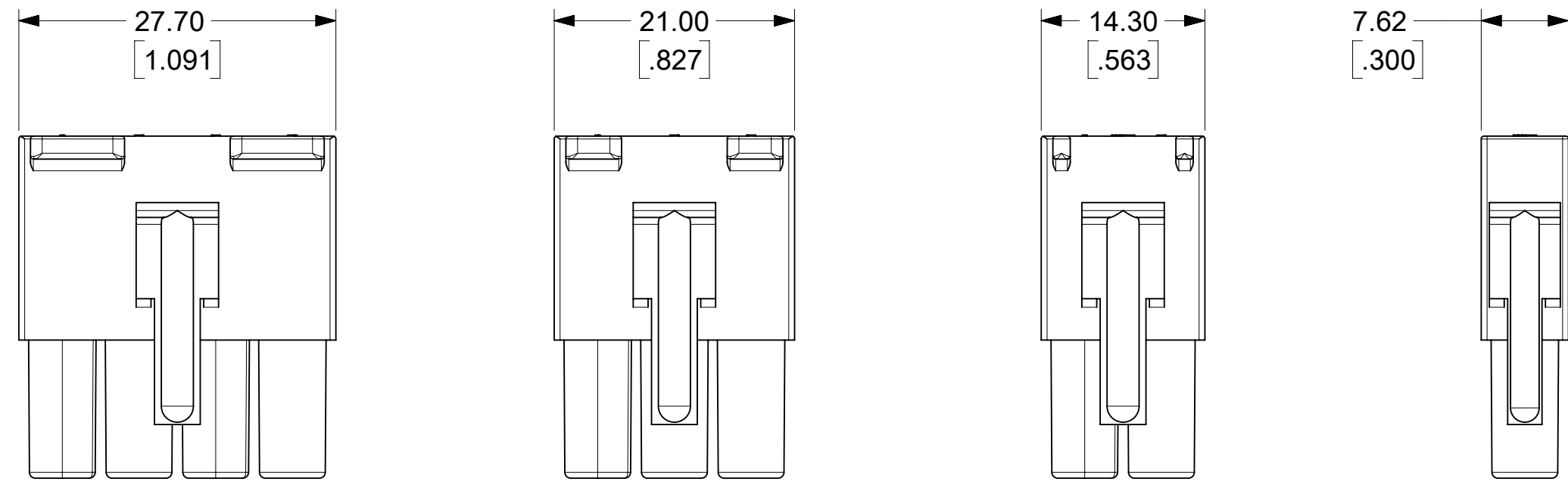
FUNCTIONAL SYMBOLS	THIS DRAWING CONTAINS INFORMATION THAT IS PROPRIETARY TO MOLEX ELECTRONIC TECHNOLOGIES, LLC AND SHOULD NOT BE USED WITHOUT WRITTEN PERMISSION						
	DIMENSION UNITS	SCALE	CURRENT REV DESC: RELEASED				
$F_A = 0$	MM/INCH	2:1	<p>molex</p> <p>.093/(2.36) PLUG AND RECEPTACLE HOUSINGS SINGLE ROW 1-4 CIRCUITS</p> <p>PRODUCT CUSTOMER DRAWING</p> <p>DOCUMENT NUMBER: 31910000-SD DOC TYPE: PSD DOC PART: 000 REVISION: A</p>				
$F_C = 0$	GENERAL TOLERANCES (UNLESS SPECIFIED)						
$F_P = 0$							
DIVISIONAL SYMBOLS	MM	INCH					
	4 PLACES ±	±					
	3 PLACES ±	± 0.01					
	2 PLACES ±	0.25 ± 0.015					
	1 PLACE ±	0.38 ±					
	0 PLACES ±	±					
	ANGULAR TOL ± °						
	DRAFT WHERE APPLICABLE MUST REMAIN WITHIN DIMENSIONS	THIRD ANGLE PROJECTION	DRAWING	SERIES	MATERIAL NUMBER	CUSTOMER	SHEET NUMBER
			C-SIZE	3191	SEE CHARTS	GENERAL MARKET	2 OF 4



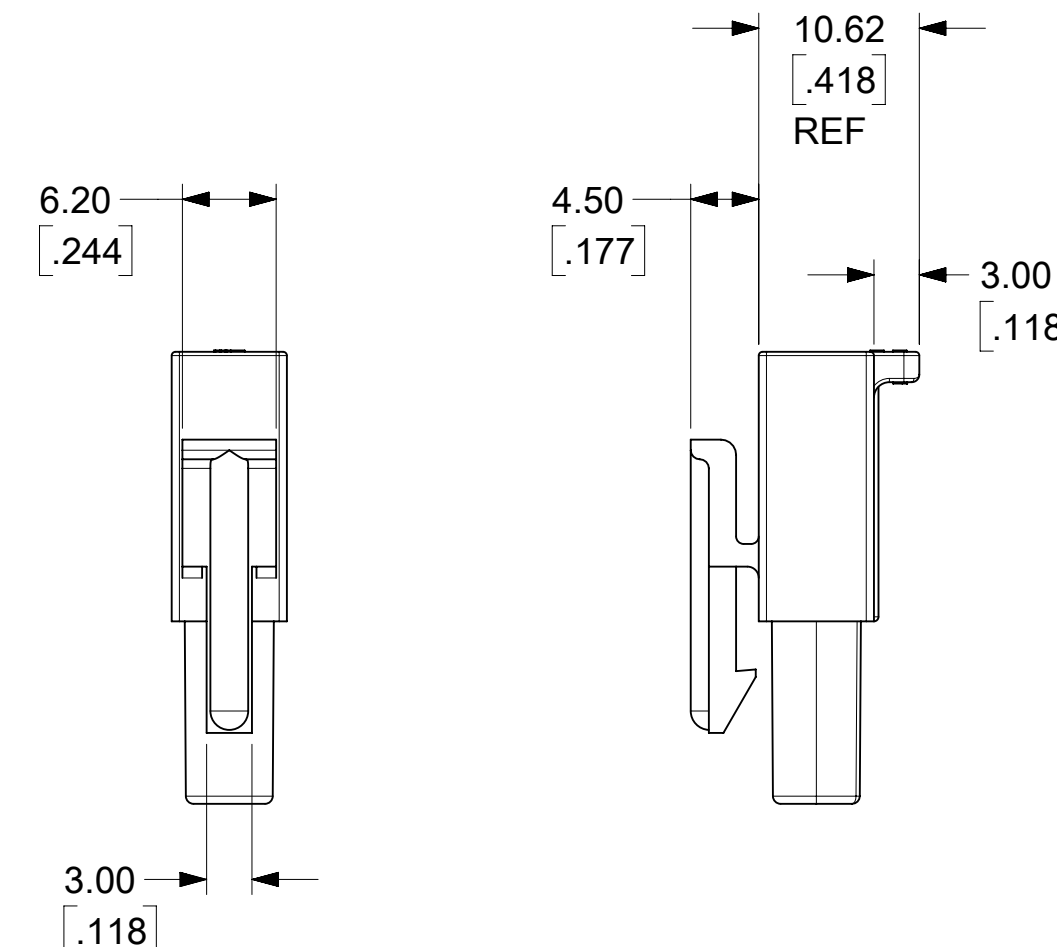
RECEPTACLE



FUNCTIONAL SYMBOLS	THIS DRAWING CONTAINS INFORMATION THAT IS PROPRIETARY TO MOLEX ELECTRONIC TECHNOLOGIES, LLC AND SHOULD NOT BE USED WITHOUT WRITTEN PERMISSION			
	DIMENSION UNITS	SCALE		CURRENT REV DESC: RELEASED
$\frac{F}{A} = 0$	MM/INCH	4:1		EC NO: 643927 DRWN: MKIPPER CHK'D: MKIPPER APPR: FSMITH
$\frac{F}{C} = 0$	GENERAL TOLERANCES (UNLESS SPECIFIED)			
DIVISIONAL SYMBOLS	4 PLACES	±	±	2020/06/02
	3 PLACES	±	± 0.01	2022/10/12
	2 PLACES	± 0.25	± 0.015	2022/10/14
	1 PLACE	± 0.38	±	
	0 PLACES	±	±	
	ANGULAR TOL	±	°	
DRAFT WHERE APPLICABLE MUST REMAIN WITHIN DIMENSIONS		THIRD ANGLE PROJECTION	DRAWING	SERIES
			C-SIZE	3191
DOCUMENT STATUS		DOC TYPE	DOC PART	REVISION
P1	RELEASE DATE	31910000-SD	PSD	000
2022/10/14	17:29:15	GENERAL MARKET		A
MATERIAL NUMBER		CUSTOMER		SHEET NUMBER
SEE CHARTS		GENERAL MARKET		3 OF 4



RECEPTACLE POLARIZATION



THESE DIMENSIONS APPLY TO 1 CIRCUIT RECEPTACLES ONLY

- NOTES:
1. MATERIAL: NYLON TYPE 6/6. SEE CHART FOR COLOR AND UL94 RATING.
 2. FINISH: NONE
 3. PRODUCT SPECIFICATION PS-02-09
 4. PACKAGING SPECIFICATION: SEE CHART
 5. PARTS CONFORM TO CLASS B REQUIREMENTS OF COSMETIC SPECIFICATION PS-45499-002.

THIS DRAWING REPLACES
 SD-3191-1X AND SD-3191-1*
 SD-3191-2X AND SD-3191-2*
 SD-3191-3X AND SD-3191-3*
 SD-3191-4X AND SD-3191-4*

CIRCUITS	PART NO.	ENG. NO.	MATERIAL	COLOR	PACKAGING	MOUNTING EARS
1	19-09-1019	3191-1R1	UL94V-2	NATURAL	31910002-PK	MOUNTING EARS NOT AVAILABLE ON RECEPTACLES
	19-09-1016	3191-1R1-201	UL94V-0	IVORY	31910002-PK	
	19-09-6011	3191-1R1BU	UL94V-2	BLUE	TBD	
2	19-09-1029	3191-2R1	UL94V-2	NATURAL	31910002-PK	
	19-09-1026	3191-2R1-201	UL94V-0	IVORY	31910002-PK	
3	19-09-1039	3191-3R1	UL94V-2	NATURAL	31910001-PK	
	19-09-1036	3191-3R1-201	UL94V-0	IVORY	31910002-PK	
	19-09-5039	3191-3R1-2	UL94V-0	WHITE	31910001-PK	
4	19-09-1049	3191-4R1	UL94V-2	NATURAL	31910001-PK	
	19-09-1046	3191-4R1-201	UL94V-0	IVORY	31910002-PK	

FUNCTIONAL SYMBOLS $\frac{F}{A} = 0$ $\frac{F}{C} = 0$ $\frac{F}{P} = 0$ DIVISIONAL SYMBOLS	THIS DRAWING CONTAINS INFORMATION THAT IS PROPRIETARY TO MOLEX ELECTRONIC TECHNOLOGIES, LLC AND SHOULD NOT BE USED WITHOUT WRITTEN PERMISSION		CURRENT REV DESC: RELEASED		
	DIMENSION UNITS	SCALE	EC NO: 643927		
	MM/INCH	2:1	DRWN: MKIPPER 2020/06/02		
	GENERAL TOLERANCES (UNLESS SPECIFIED)		CHK'D: MKIPPER 2022/10/12		
4 PLACES ±		MM	INCH	APPR: FSMITH 2022/10/14	
3 PLACES ±		INITIAL REVISION:			
2 PLACES ± 0.25 ± 0.015		DRWN: MKIPPER 2020/06/02			
1 PLACE ± 0.38 ±		APPR: FSMITH 2022/10/14			
0 PLACES ±		THIRD ANGLE PROJECTION			
ANGULAR TOL ± °		DRAWING	SERIES	DOCUMENT NUMBER	
DRAFT WHERE APPLICABLE MUST REMAIN WITHIN DIMENSIONS		C-SIZE	3191	31910000-SD	
		CUSTOMER		DOC TYPE DOC PART REVISION	
		GENERAL MARKET		PSD 000 A	
		SHEET NUMBER		4 OF 4	