

PART No MATRIX

Y	0	X	0	0	1	X	X	X	X	X	X	X	X	X
---	---	---	---	---	---	---	---	---	---	---	---	---	---	---

Y0= ULTRA LOCK 2.0 SINGLE ENDED

POLES:
3 = 3 POLES
4 = 4 POLES
5 = 5 POLES

HEADER:
001= FEMALE RA

CABLE:
E03 - 3/4/5x0.34 PVC BLACK
B30 - 3/4/5x0.34 WSOR BLACK
H09 - 3/4/5x0.34 PUR-LS0H BLACK

UNIT:
M = METER
F = FEET
C = CENTIMETER
T = 10M

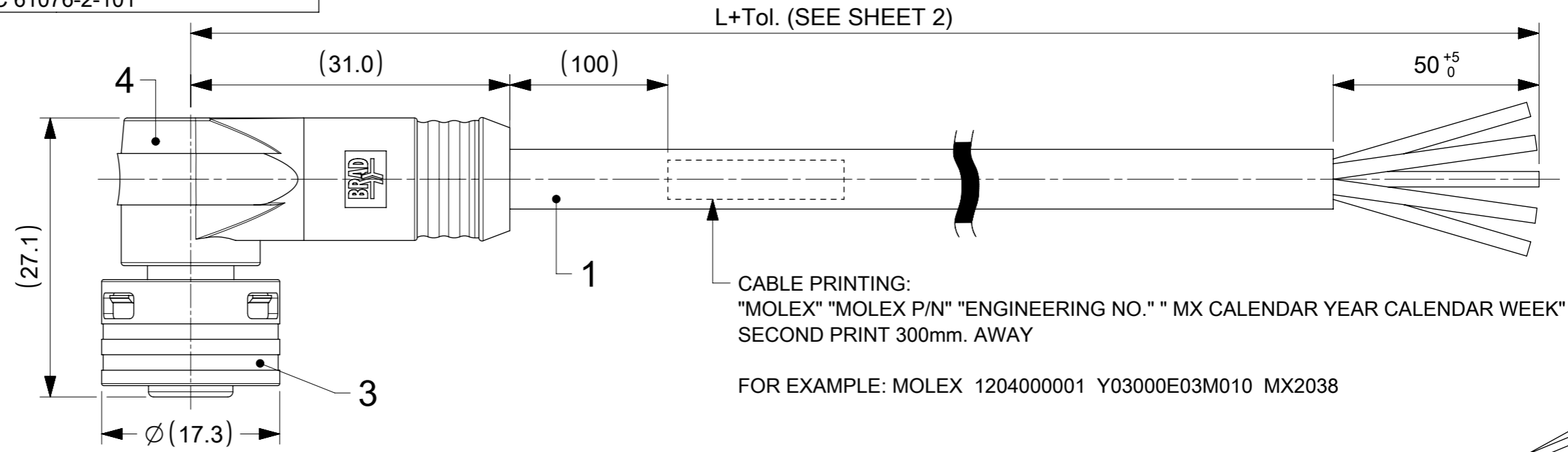
LENGTH:
EXAMPLE:
010 = 1 m
050 = 5 m
100 = 10 m

OPTIONS

OVERMOLD:
BLANK = STANDARD BRAD:
-YELLOW IN THE USA
-BLACK IN EUROPE

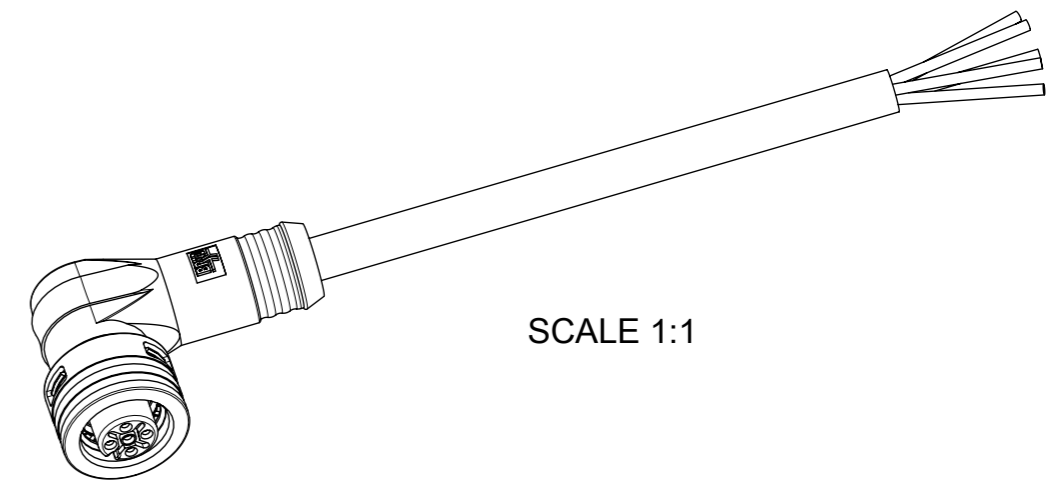
A = GREY
E = RED
G = BLACK
Y = YELLOW
H = STD. COLOUR WITH TWO ID-TAG CARRIERS

CODING ACCORDING TO IEC 61076-2-101



NOTES:

- PARTS ACC. TO PRODUCT SPECIFICATION 1204000001 PS P10 AND IN STYLE OF IEC-61076-2-010
- BOM & PART LIST - SEE SHEET 2
- RATED VOLTAGE :
3, 4 CONTACTS: 250V AC OR DC
5 CONTACTS: 60V AC OR DC
RATED CURRENT:
3, 4, 5 CONTACTS: 4A, DERATING HAS TO BE CONSIDERED
OVERVOLTAGE CATEGORY: 3
POLLUTION DEGREE: 3, ONLY IN MATED AND LOCKED CONDITION
- PROTECTION CLASS: IP 67, ONLY IN MATED AND LOCKED CONDITION
- TEMPERATURE RANGE:
TEMPERATURE PLUG/SOCKET: -40 °C TO +85 °C
TEMPERATURE CABLE: SEE CABLE LIST
- MECHANICAL OPERATIONS: 100 CYCLES
- MATES WITH ULTRA-LOCK M12 MALE RECEPTACLES
- PACKAGING: THE CORDSETS ARE SINGLE PACKED IN PLASTIC BAGS AND DELIVERED IN CARTON BOXES
- UL CSA FILE REGISTRATION PENDING



FUNCTIONAL SYMBOLS	THIS DRAWING CONTAINS INFORMATION THAT IS PROPRIETARY TO MOLEX ELECTRONIC TECHNOLOGIES, LLC AND SHOULD NOT BE USED WITHOUT WRITTEN PERMISSION	SCALE 2:1		CURRENT REV DESC: NOTES AND CABLE LIST UPDATED		molex				
	mm	GENERAL TOLERANCES (UNLESS SPECIFIED)		EC NO: 736602						CSE U12 3-5P AC FE RA XM SE UNSH BK
	∇A = 0	4 PLACES ±	ANGULAR TOL ± 1.0 °		DRWN: RSCHIEBER 2023/01/23		PRODUCT CUSTOMER DRAWING			
	∇E = 0	3 PLACES ±	INITIAL REVISION:		DRWN: RSCHIEBER 2020/09/16		DOCUMENT NUMBER		DOC TYPE	DOC PART
∇F = 0	2 PLACES ± 0.05	DRWN: RSCHIEBER 2020/09/29		APPR: RSILLER 2023/01/31		1204000224		PSD	000	A3
DIVISIONAL SYMBOLS	1 PLACE ± 0.3	THIRD ANGLE PROJECTION		DRAWING	SERIES	MATERIAL NUMBER	CUSTOMER	SHEET NUMBER		
	0 PLACES ± 0.5	DRAFT WHERE APPLICABLE MUST REMAIN WITHIN DIMENSIONS		A3-SIZE	120400	SEE SHEET 2	GENERAL MARKET	1 OF 2		

