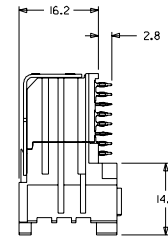
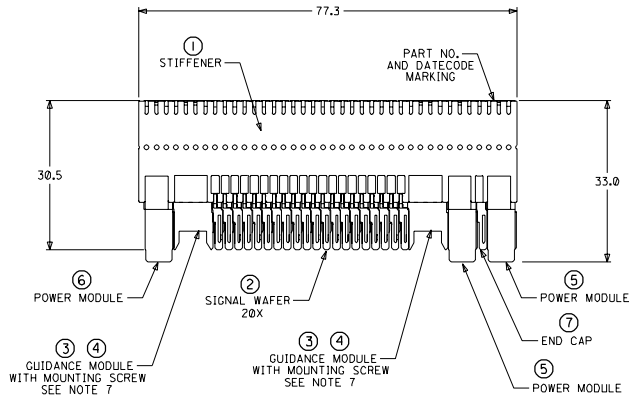
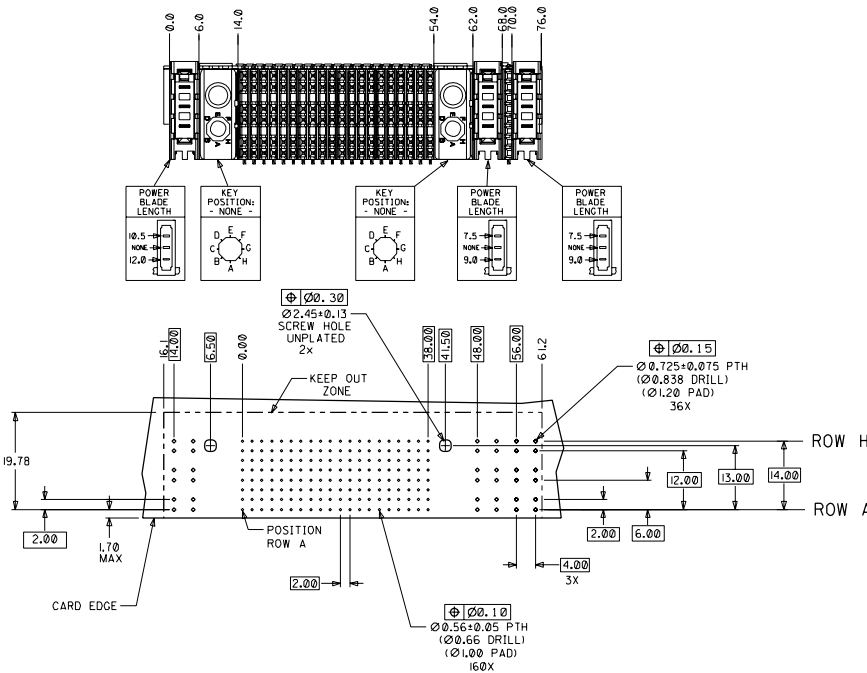


CUSTOMER: TELLUM



- NOTES: (UNLESS OTHERWISE SPECIFIED)
- MATERIALS: HOUSING - LIQUID CRYSTAL POLYMER (LCP), GLASS-FILLED, UL94V-0, BLACK.
TERMINALS - HIGH PERFORMANCE COPPER ALLOY.
STIFFENER - STAINLESS STEEL.
 - FINISH: SELECTIVE GOLD (Au) IN CONTACT AREA, 0.00076mm MINIMUM THICKNESS; SELECTIVE TIN/LEAD (Sn/Pb) ON PCB TAILS, NICKEL (Ni) OVERALL.
 - REFER TO MOLEX PRODUCT SPECIFICATION PS-74031-999 FOR PERFORMANCE SPECIFICATIONS.
 - REFER TO MOLEX DOCUMENT SD-74681-002 FOR ADDITIONAL DETAIL ON THE HSD SIGNAL WAFER.
 - REFER TO MOLEX DOCUMENT SD-74037-006 FOR ADDITIONAL DETAIL ON THE GUIDANCE MODULE.
 - REFER TO MOLEX DOCUMENT SD-74026-002 FOR ADDITIONAL DETAIL ON THE POWER MODULE.
 - MOUNTING SCREWS WILL BE BAGGED WITH EACH CONNECTOR.
 - PARTS ARE PACKAGED IN TUBES PER PK-70873-5041.



DAUGHTERCARD HOLE PATTERN (CONNECTOR SIDE)

ITEM	PART NUMBER	DESCRIPTION	QTY
1	74046-0077	STIFFENER	1
2	74681-0001	HSD8 WAFER	20
3	74037-0008	POLARIZING/GUIDE MODULE	2
4	73726-0000	GUIDE MODULE MNTG SCREW	2
5	74026-8201	POWER MODULE	2
6	74026-8403	POWER MODULE	1
7	74038-1001	END CAP	1

INITIAL RELEASE EC NO. UDT2002-0621 DRAWN: ATP 01/10/17 CHECK: LAURX 01/10/17 APPR: BIXLER 01/10/17	QUALITY SYMBOLS MAJOR: CRITICAL:	GENERAL TOLERANCES UNLESS SPECIFIED		SCALE: 2:1	DESIGN UNITS: <input type="checkbox"/> mm <input checked="" type="checkbox"/> INCH	DIMENSIONS: <input type="checkbox"/> mm <input type="checkbox"/> INCH <input checked="" type="checkbox"/> mm ONLY	SHT: 1 REV: 1	
		DRAWN BY & DATE: ATP 01/10/17		TITLE: 8 ROW HSD DAUGHTERCARD ASSEMBLY SALES DRAWING		MOLEX INCORPORATED		
		CHECKED BY & DATE: LAURX 01/10/17		APPROVED BY & DATE: BIXLER 01/10/17		CAD FILENAME: SD-74680-067		MATERIAL NO.: 74680-0067
		DRAWING NO.: SD-74680-067		SHEET NO.: 1 OF 1		THIS DRAWING CONTAINS INFORMATION THAT IS PROPRIETARY TO MOLEX INCORPORATED AND SHOULD NOT BE USED WITHOUT WRITTEN PERMISSION.		SIZE: D