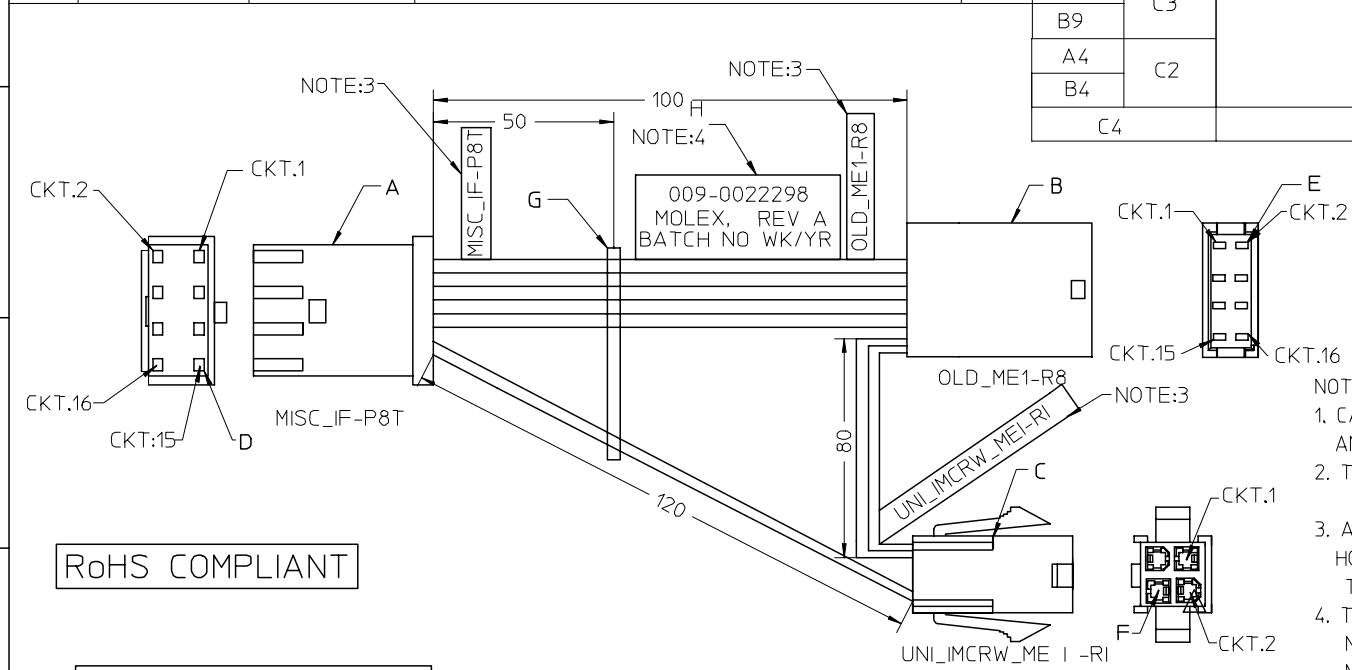


ITEM	COMPONENT PART NO		DESCRIPTION	QNTY	CKT NO	CKT NO	WIRE PART NO	WIRE TYPE	COLOUR
	EDP NO	ENGG NO							
A	884610300	88461-0300	HOUSING TYCO PART 280366	1	A2	B2	884533310	CABLE UL1061 24AWG	WHITE
B	884781020	88478-1020	HOUSING TYCO PART 0-0280638-0	1	A12	B12			
C	39012041	39-01-2041	HOUSING MINIFIT JR 4 CKT	1	A15	B15			
D	884610400	88461-0400	TERMINAL TYCO PART-280530-1	9	A6	B6			
E	884781030	88478-1030	TERMINAL TYCO PART 0-0086557-6	9	A11	B11			
F	39000061	39-00-0061	TERMINAL MALE MINIFIT JR MALE	3	A13	B13			
G	884611900	88461-1900	CABLE TIE PANDUIT PART PLT1M-M6 OR XMR	1	A7	C1			
H	884260070	884260070	HARNESS IDENTIFICATION LABEL	1	B7				
I	884260870	884260870	UL LABEL FOM N	0.02	A9	C3			

B9	C2
A4	
B4	
C4	



- NOTE:
1. CABLE ASSEMBLY TO BE TESTED 100% FOR CONTINUITY AND POLARITY
 2. THE CONNECTOR CIRCUIT NUMBERS/VIEWS SHOWN AS VIEWED FROM MATING SIDE
 3. APPLY CONNECTOR IDENTIFICATION LABELS ON ALL CONNECTOR HOUSINGS, AND WHERE EVER NOT POSSIBLE APPLY LABELS ON THE CABLE.
 4. THE PART IDENTIFICATION LABEL SHALL BE PRINTED WITH NCR PART NO, REVISION, MOLEX, BATCH NO, WEEK/YEAR OF MANUFACTURE.
 5. CONNECTOR IDENTIFICATION LABEL AS PER PART 88426-1211.

RoHS COMPLIANT

GENERAL TOLERANCE CHART FOR BRANCH LENGTHS

0-50MM	: +10/-0
51-200MM	: +20/-0
201-1000MM	: +30/-0
1001-2000MM	: +40/-30
2001-4000MM	: +50/-50

ENTER DESCRIPTION EC NO: I2007-0258 DRWNS: SATTI HARAD 2007/04/17 CHKD: KPRASAD 2007/04/17 APPR: KPRASAD 2007/04/18	QUALITY SYMBOLS 	GENERAL TOLERANCES (UNLESS SPECIFIED)		DIMENSION STYLE MM ONLY		SCALE ---	DESIGN UNITS METRIC	THIRD ANGLE PROJECTION				
				mm	INCH	DRAWN BY SHANKAR	DATE 2006/08/30	TITLE CBLE ASSY WTB WTB 12WIRE L=1440MM, IMCRW MEI NCR 009-0022298				
				4 PLACES	± ---	± ---	CHECKED BY SUDHIR	DATE 2006/08/30	MOLEX INCORPORATED			
				3 PLACES	± ---	± ---	APPROVED BY SUDHIR	DATE 2006/08/30				
		2 PLACES	± ---	± ---	MATERIAL NO. 88467-0460		DOCUMENT NO. SD-88467-046		SHEET NO. 1 OF 1			
		1 PLACE	± ---	± ---	DRAFT WHERE APPLICABLE MUST REMAIN WITHIN DIMENSIONS							