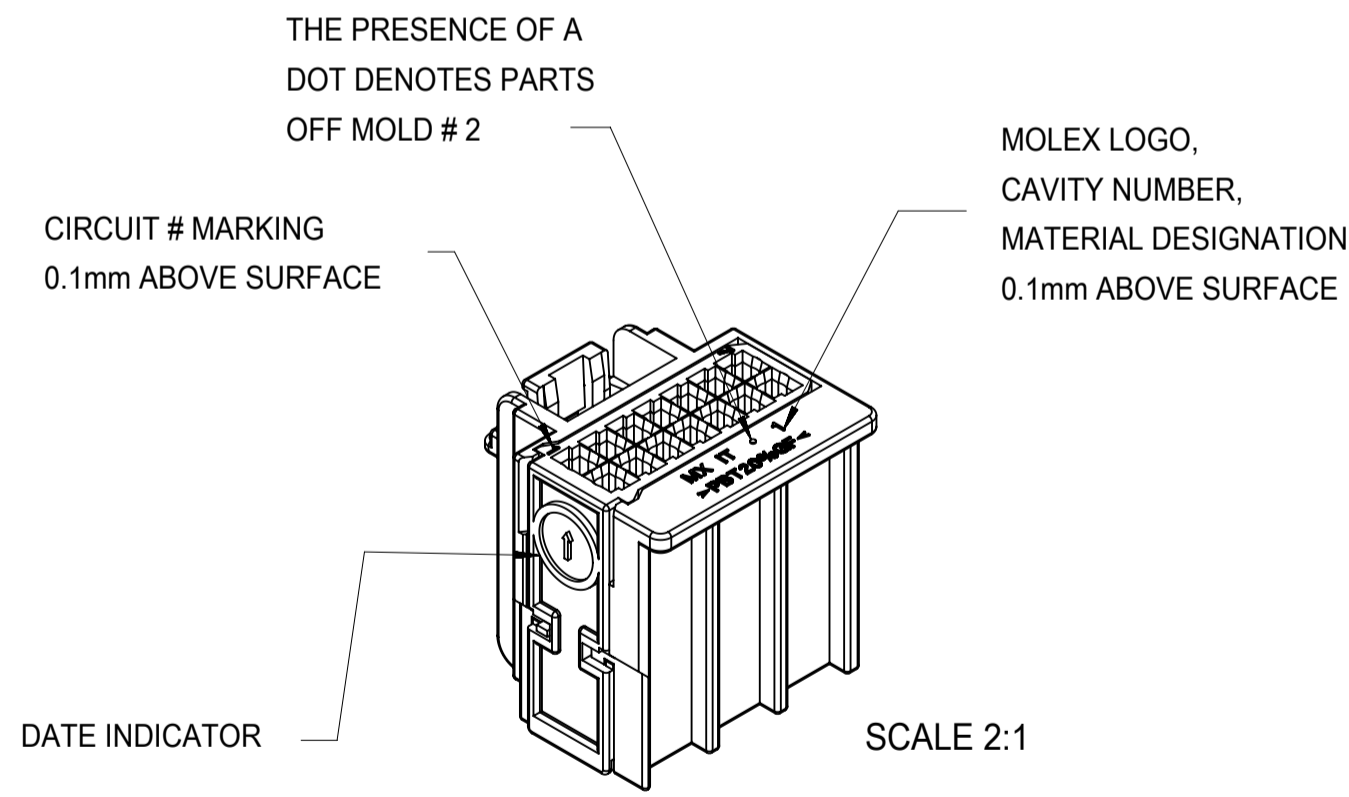
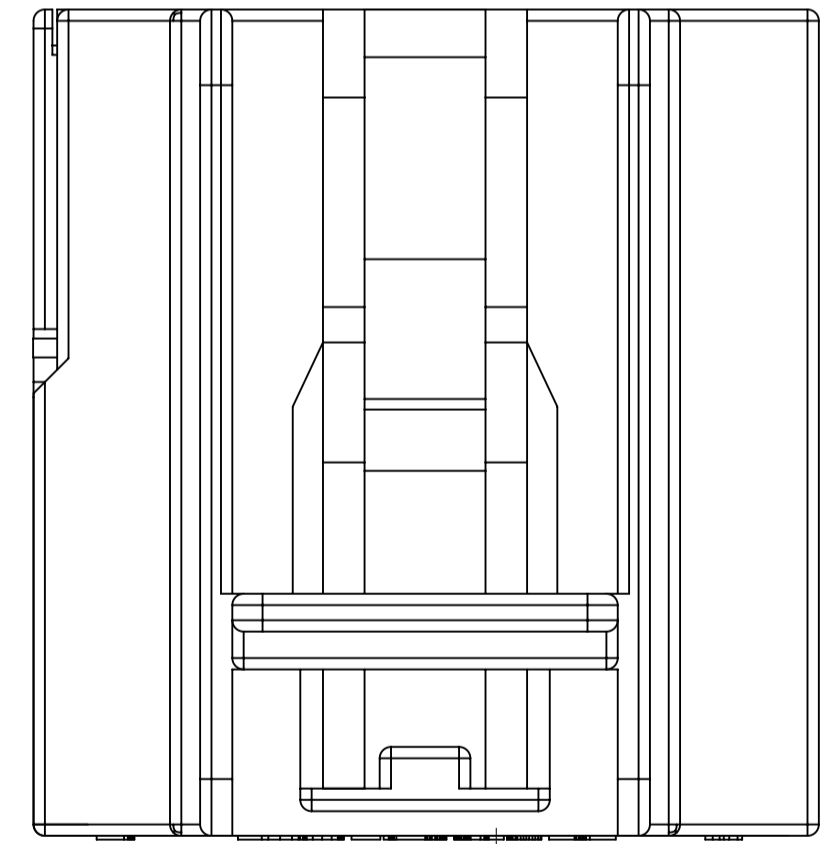
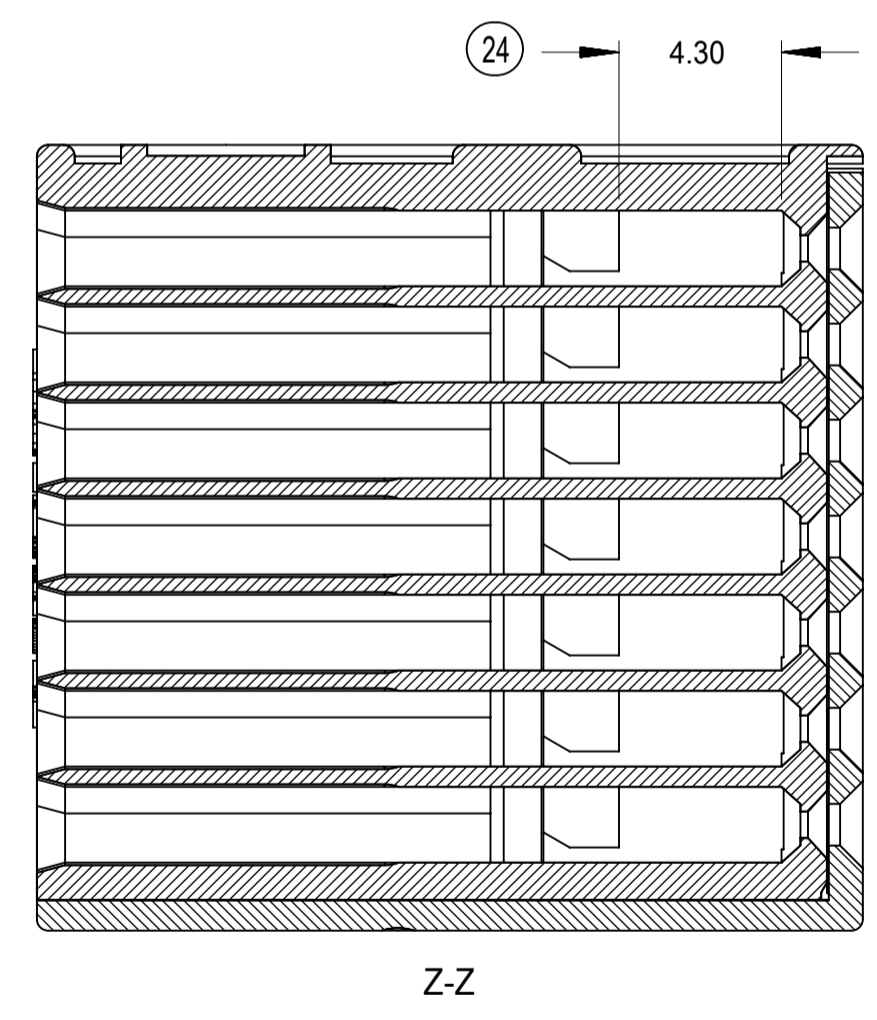
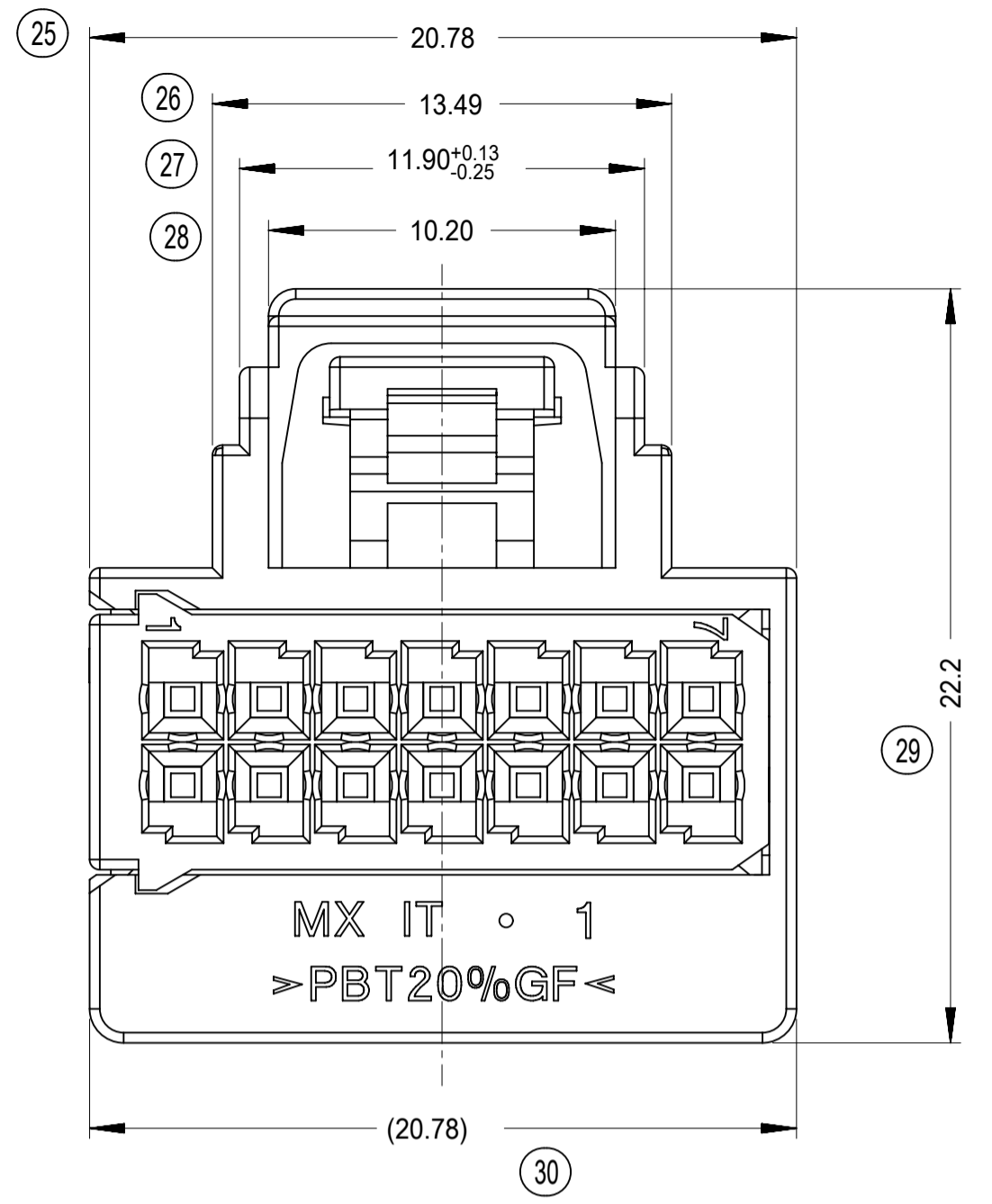
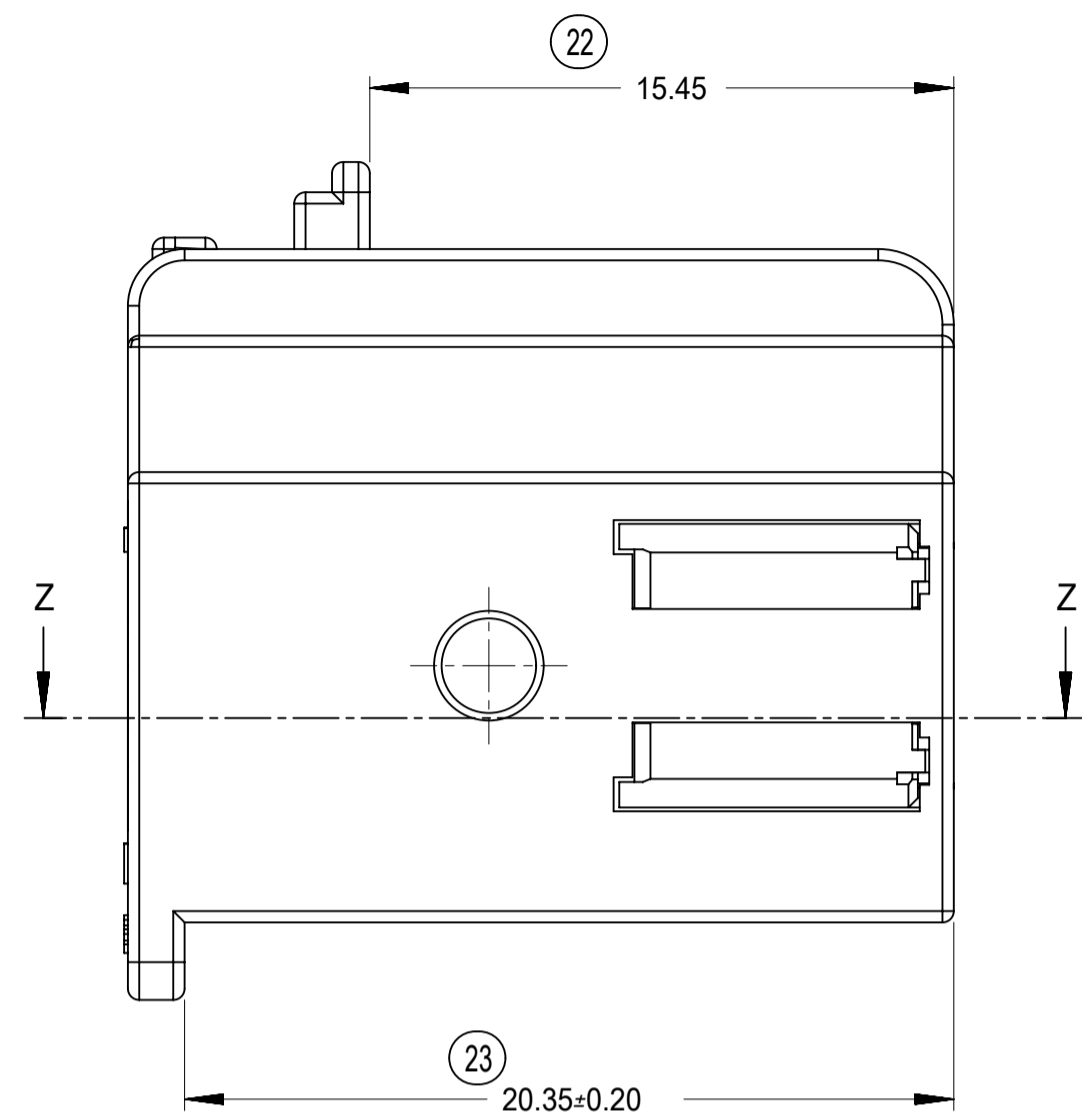
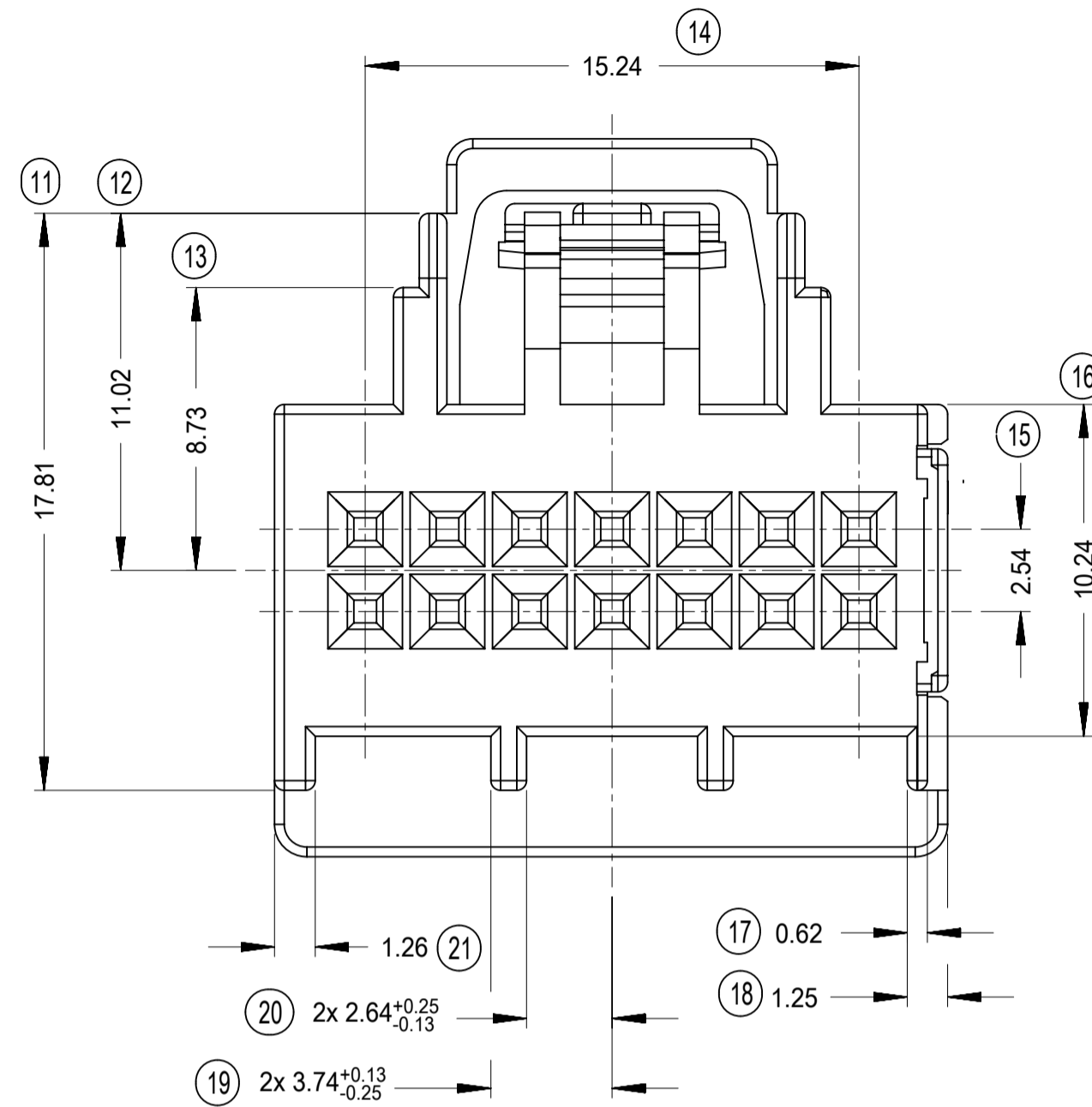


P/N	PACKAGING CONFIGURATION
94552-9014	LOW QUANTITY (LQ)
94552-9114	HIGH QUANTITY (HQ)
(SEE DOCUMENT PK-94552-001 FOR DETAILS)	

- 1) MATERIAL: GLASS FILLED PBT, BLACK COLOR
- 2) USED WITH 98658 SERIES TERMINALS
- 3) MATES WITH 31341 SERIES USCAR HEADERS
- 4) PACKAGING: REFER TO DOC. PK-94552-001
- 5) IN THE EVENT OF PARTIAL OR TOTAL SEPARATION, PARTS DO NOT LOOSE THEIR FUNCTIONALITY
- 6) PRODUCT SPECIFICATION: REFER TO 945520002
- 7) APPLICATION SPECIFICATION: REFER TO AS-94552-001

QUALITY SYMBOLS ▽ = 0 ▽ = 0 ▽ = 0 ▼ = 0 ▽ = 0 ⊠ = 0 ■ = 0 ▽ = 0	THIS DRAWING CONTAINS INFORMATION THAT IS PROPRIETARY TO MOLEX ELECTRONIC TECHNOLOGIES, LLC AND SHOULD NOT BE USED WITHOUT WRITTEN PERMISSION					
	EC NO: 167730	DRWN: SBARBIERI	CHKD: PZANGIROLAMI	REV: APPR:		DIMENSION UNITS: mm SCALE: 5:1 DRWN BY: SBARBIERI DATE: 2006/03/20 CHKD BY: RSANDANO DATE: 2006/03/20 APPR BY: FBISELLO DATE: 2014/05/12
	GENERAL TOLERANCES (UNLESS SPECIFIED) ANGULAR TOL ± 3.0° 4 PLACES ± 3 PLACES ± 2 PLACES ± 0.13 1 PLACE ± 0.25 0 PLACES ±					SERIES: 94552 MATERIAL NUMBER: SEE TABLE CUSTOMER: GENERAL MARKET
	DRAFT WHERE APPLICABLE MUST REMAIN WITHIN DIMENSIONS DRAWING SIZE: A2 FIRST ANGLE PROJECTION					PRODUCT CUSTOMER DRAWING DOCUMENT NUMBER: SD-94552-003 DOC TYPE: PSD DOC PART: 001 SHEET NUMBER: 1 OF 2



OPERATING CONFIGURATION  
(SHOWN W/O TERMINALS)

QUALITY SYMBOLS ▽ = 0 ▽ = 0 ▽ = 0 ▼ = 0 ▽ = 0 ⊠ = 0 ■ = 0 ▽ = 0	THIS DRAWING CONTAINS INFORMATION THAT IS PROPRIETARY TO MOLEX ELECTRONIC TECHNOLOGIES, LLC AND SHOULD NOT BE USED WITHOUT WRITTEN PERMISSION				
	EC NO: 167730 DRWN: SBARBIERI CHK'D: PZANGIROLAMI REV / APPR:	2017/11/06 2017/11/07	GENERAL TOLERANCES (UNLESS SPECIFIED) ANGULAR TOL ± 3.0 ° 4 PLACES ± 3 PLACES ± 2 PLACES ± 0.13 1 PLACE ± 0.25 0 PLACES ± DRAFT WHERE APPLICABLE MUST REMAIN WITHIN DIMENSIONS	DIMENSION UNITS: mm SCALE: 5:1 DRWN BY: SBARBIERI DATE: 2006/03/20 CHK'D BY: RSANDANO DATE: 2006/03/20 APPR BY: FBISELLO DATE: 2014/05/12	<b>molex</b> 14 CKT POL.E USCAR 0.64MM RECEPTACLE FOR 98658 SERIES TERMINAL PRODUCT CUSTOMER DRAWING
	B	A2	FIRST ANGLE PROJECTION	SERIES: 94552 MATERIAL NUMBER: SEE TABLE CUSTOMER: GENERAL MARKET	
	RELEASE STATUS: P1 RELEASE DATE: 07.11.2017 15:51:42	DOCUMENT NUMBER: SD-94552-003 DOC TYPE: PSD DOC PART: 001 SHEET NUMBER: 2 OF 2			