

NOTES

- MATES WITH :
(MOLEX SERIES NO. : 111014, 111015, 111005, 111041, 111019, 111020)
- SHROUD GEOMETRY AND ASSEMBLY WITH USB MINI-B CONNECTOR ARE ACCORDING TO USCAR STD 999-U-USB-Z01
- FINISHES
 - TERMINAL :
CONTACT AREA : GOLD 0.75μm MIN.
SOLDER TAIL AREA : TIN 3.8μm MIN.
UNDER PLATING : NI 1.25μm MIN.
 - SHIELD CASE :
3.0μm MIN. TIN OVER NI 1.0μm MIN.
 - FITTING NAIL :
3.0μm MIN. TIN OVER NI 1.0μm MIN.
- UNLESS OTHERWISE SPECIFIED, TYPICAL RECOMMENDED PCB MANUFACTURING TOLERANCE IS ±0.05
- PCB THICKNESS : 1.6mm(REFERENCE)

<PART LIST>

NO.	PART NAME	MATERIALS
①	SHROUD	SPS, GLASS FILLED, UL94 HB
②	REC. HOUSING	LCP, GLASS FILLED, UL94 V-0
③	TERMINAL	COPPER ALLOY
④	SHIELD CASE	PHOSPHOR BRONZE
⑤	FITTING NAIL	BRASS

<TABLE 1>

MATERIAL NO.	ORDER NO.	PACKAGING	COLOR
1040870924	104087-0924	TAPE & REEL	BLUE

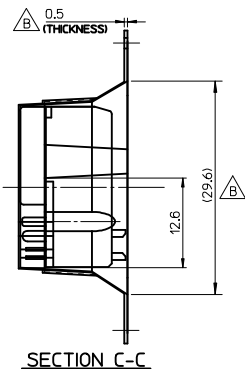
DRAWING ERROR E/C NO: K1R207-0033 DRAWN: MK1W02 2017/01/14 CHKD: CHKD: 2017/03/20 APPR: JHJANG REV:	QUALITY SYMBOLS	GENERAL TOLERANCES (UNLESS SPECIFIED)	DIMENSION STYLE	SCALE	DESIGN UNITS	THIRD ANGLE PROJECTION
	▽=0	4 PLACES ± --- ± ---	MM ONLY	5:1	METRIC	
	▽=0.1	3 PLACES ± --- ± ---	mm INCH			
	▽=0.2	2 PLACES ± 0.15 ± ---				
	▽=0.3	1 PLACE ± 0.25 ± ---				
		0 PLACE ± --- ± ---				
		ANGULAR ± 1°				
		DRAFT WHERE APPLICABLE MUST REMAIN WITHIN DIMENSIONS	SEE TABLE 1			
			THIS DRAWING CONTAINS INFORMATION THAT IS PROPRIETARY TO MOLEX INCORPORATED AND SHOULD NOT BE USED WITHOUT WRITTEN PERMISSION			

DESCRIPTION
HSAUTOLINK R/A HEADER TYPE-E FOR HMI MODULE (TAPE & REEL PACKING)

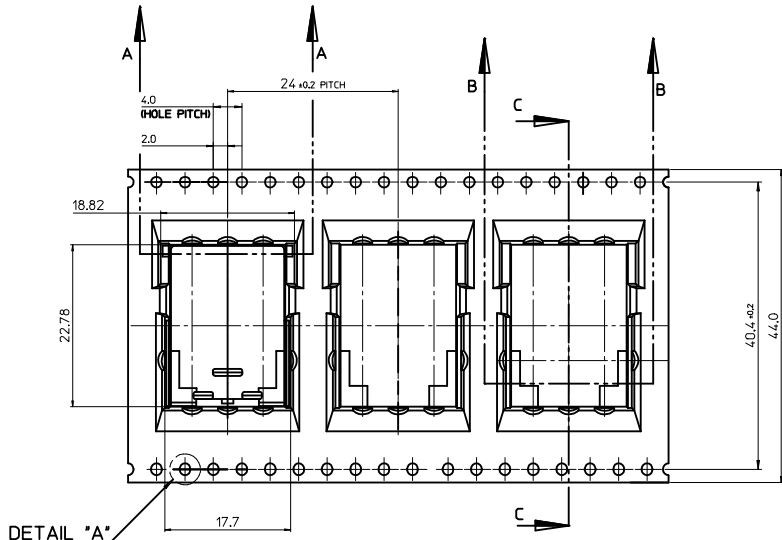
MOLEX

MATERIAL NO. SD-104087-008
DOCUMENT NO. SD-104087-008
SHEET NO. 1 OF 2

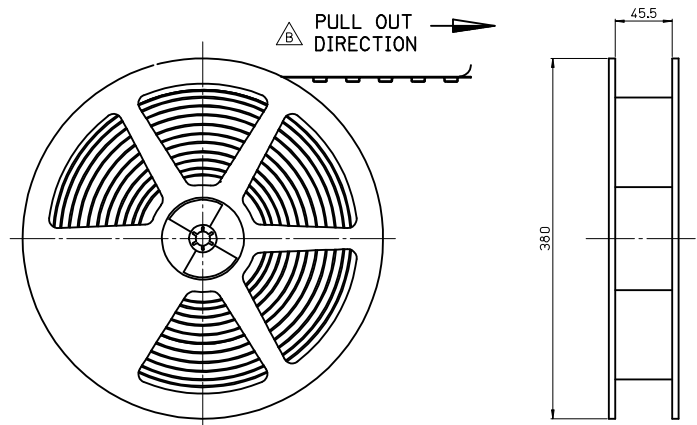
RECOMMENDED PCB LAYOUT



SECTION C-C



EMBOSS TAPE

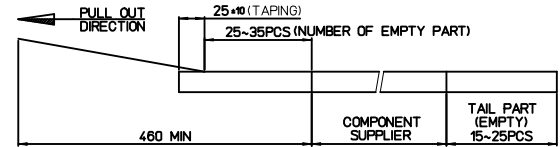


PLASTIC BOBBIN

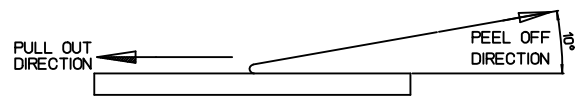
NOTES

1. QUANTITY OF CONNECTORS : 200EA/REEL
2. MATERIAL
 - EMBOSS TAPE : P.E.T ANTISTATIC
 - PASTIC BOBBIN : P.S

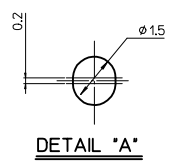
3. LEAD LENGTH



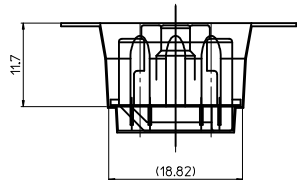
4. PEELING OFF FORCE OF COVER TAPE : 0.1N~0.59N(10.2GF~60GF)
(PEELING DIRECTION AS SHOW IN FOLLOW FIG.)
PEELING OFF SPEED : 300mm/Min.(Ref.)



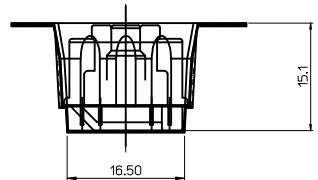
5. FLASH IN ANY PORTION SHOULD BE LESS THAN 0.20mm MAX.



DETAIL "A"

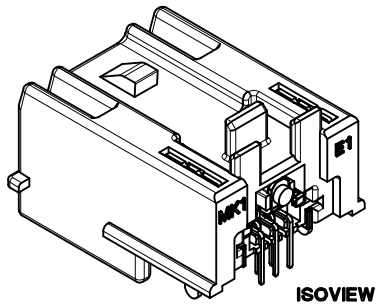


SECTION A-A

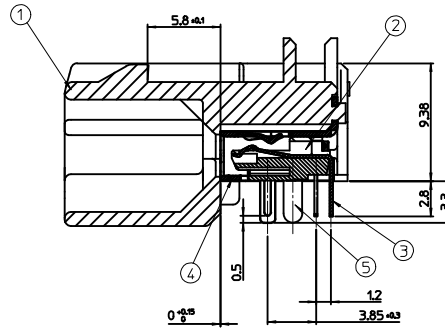
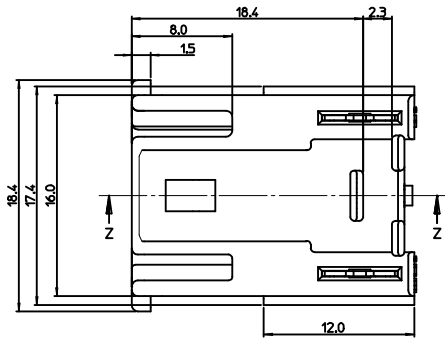


SECTION B-B

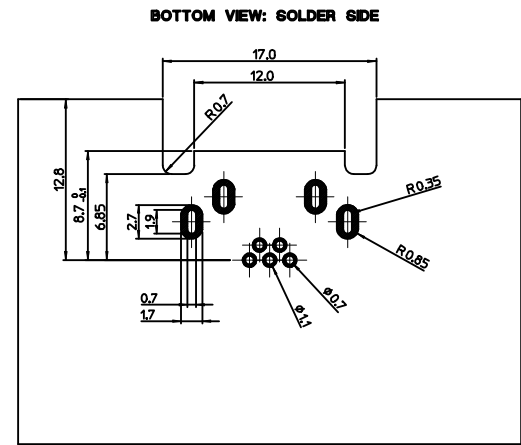
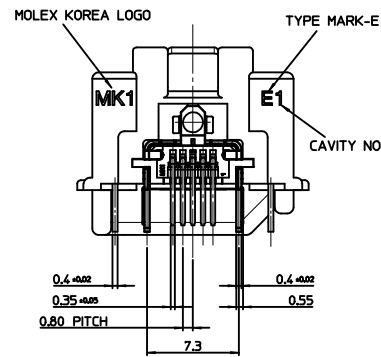
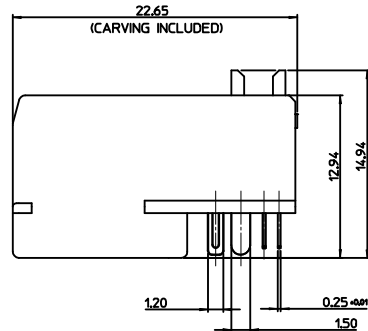
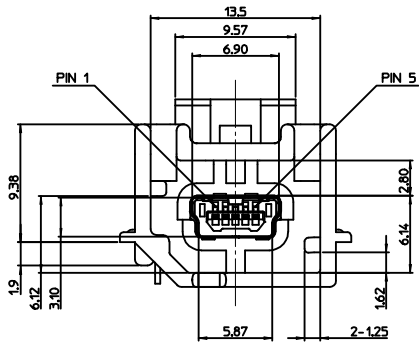
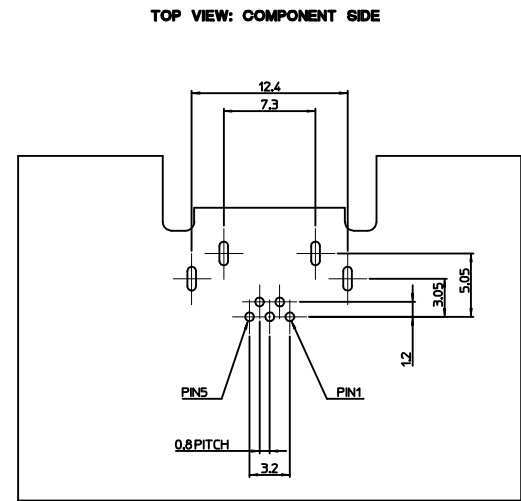
DRAWING ERROR EC NO: KTR2017-0033 DRAWN: JMK/INO2 2017/01/14 CHKO: JMK/INO2 APPR: JHJANG 2017/03/20	QUALITY SYMBOLS	GENERAL TOLERANCES (UNLESS SPECIFIED)		DIMENSION STYLE MM ONLY		SCALE 5:1	DESIGN UNITS METRIC	THIRD ANGLE PROJECTION
	▽=0	mm	INCH	DRAWN BY HIMOON	DATE 2013/05/02	TITLE HSAUTOLINK R/A HEADER TYPE-E FOR HMI MODULE (TAPE & REEL PACKING)		
	▽=0	4 PLACES ± --- ± ---		CHECKED BY BCYOON	DATE 2013/05/02			
	▽=0	3 PLACES ± --- ± ---		APPROVED BY JHBAE	DATE 2013/07/30			
	2 PLACES ± 0.15 ± ---		ANGULAR ± 1 °					
	1 PLACE ± 0.25 ± ---		DRAFT WHERE APPLICABLE MUST REMAIN WITHIN DIMENSIONS					
	0 PLACE ± --- ± ---		THIS DRAWING CONTAINS INFORMATION THAT IS PROPRIETARY TO MOLEX INCORPORATED AND SHOULD NOT BE USED WITHOUT WRITTEN PERMISSION					



ISOVIEW



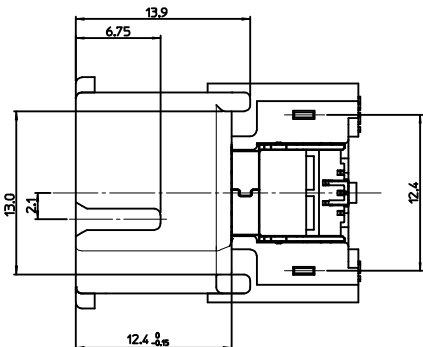
SECTION Z-Z



GENERAL TOLERANCE : ±0.05

RECOMMENDED PCB LAYOUT

- NOTES
- MATES WITH :
(MOLEX SERIES NO. : 111014, 111015, 111005, 111041, 111019, 111020)
 - SHROUD GEOMETRY AND ASSEMBLY WITH USB MINI-B CONNECTOR ARE ACCORDING TO USCAR STD 999-U-USB-Z01
 - FINISHES
 - TERMINAL :
CONTACT AREA : GOLD 0.75µm MIN.
SOLDER TAIL AREA : TIN 3.8µm MIN.
UNDER PLATING : NI 1.25µm MIN.
 - SHIELD CASE :
3.0µm MIN. TIN OVER NI 1.0µm MIN.
 - FITTING NAIL :
3.0µm MIN. TIN OVER NI 1.0µm MIN.
 - UNLESS OTHERWISE SPECIFIED, TYPICAL RECOMMENDED PCB MANUFACTURING TOLERANCE IS ±0.05
 - PCB THICKNESS : 1.6mm(REFERENCE)



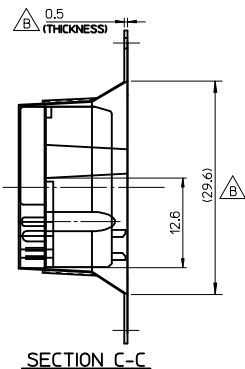
<PART LIST>

NO.	PART NAME	MATERIALS
①	SHROUD	SPS, GLASS FILLED, UL94 HB
②	REC. HOUSING	LCP, GLASS FILLED, UL94 V-0
③	TERMINAL	COPPER ALLOY
④	SHIELD CASE	PHOSPHOR BRONZE
⑤	FITTING NAIL	BRASS

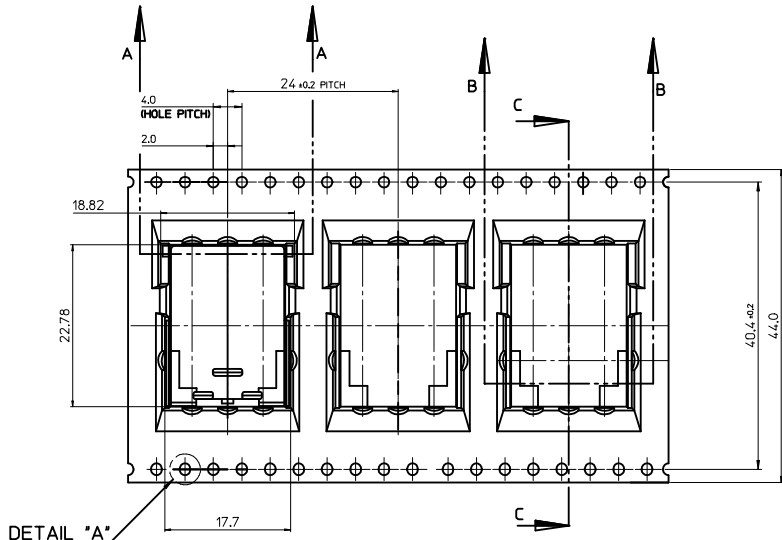
<TABLE 1>

MATERIAL NO.	ORDER NO.	PACKAGING	COLOR
1040870924	104087-0924	TAPE & REEL	BLUE

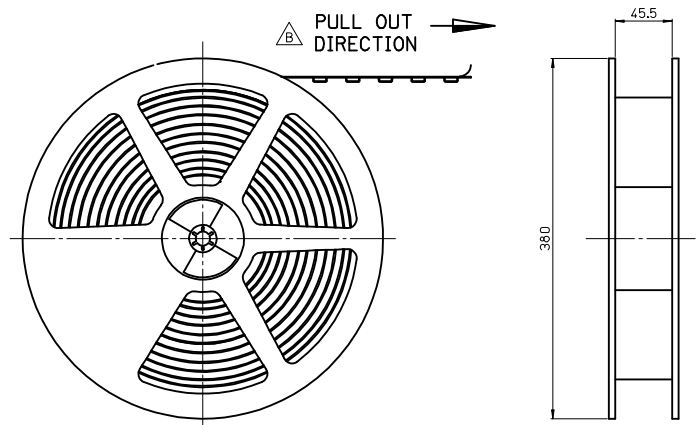
DRAWING ERROR EC NO: K1R207-0033 DRAWN: MK1W02 2017/01/14 CHKD: APPR: JHJANG 2017/03/20 REV	QUALITY SYMBOLS	GENERAL TOLERANCES (UNLESS SPECIFIED)	DIMENSION STYLE	SCALE	DESIGN UNITS	THIRD ANGLE PROJECTION
	▽=0	mm INCH	MM ONLY	5:1	METRIC	
	▽=0.1	4 PLACES ± --- ± ---	DRAWN BY DATE			
	▽=0.2	3 PLACES ± --- ± ---	HIMOON 2013/05/02			
	2 PLACES ± 0.15 ± ---	CHECKED BY DATE				TITLE HSAUTOLINK R/A HEADER TYPE-E FOR HMI MODULE (TAPE & REEL PACKING)
	1 PLACE ± 0.25 ± ---	BCYOON 2013/05/02				
	0 PLACE ± --- ± ---	APPROVED BY DATE				DOCUMENT NO. SD-104087-008
		JHBAE 2013/07/30				
		MATERIAL NO.	SEE TABLE 1			SHEET NO. 1 OF 2
DRAFT WHERE APPLICABLE MUST REMAIN WITHIN DIMENSIONS						
THIS DRAWING CONTAINS INFORMATION THAT IS PROPRIETARY TO MOLEX INCORPORATED AND SHOULD NOT BE USED WITHOUT WRITTEN PERMISSION						



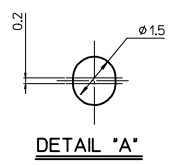
SECTION C-C



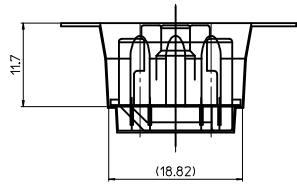
EMBOSS TAPE



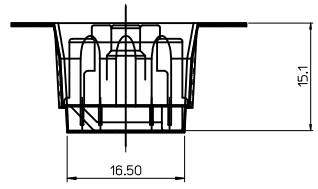
PLASTIC BOBBIN



DETAIL "A"



SECTION A-A

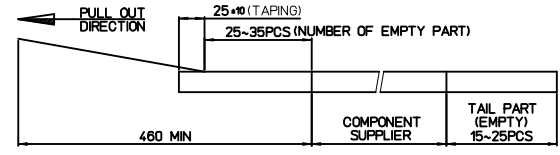


SECTION B-B

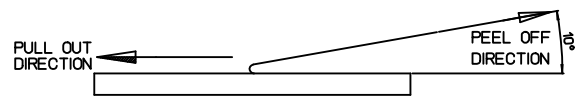
NOTES

1. QUANTITY OF CONNECTORS : 200EA/REEL
2. MATERIAL
 - EMBOSS TAPE : P.E.T ANTISTATIC
 - PASTIC BOBBIN : P.S

3. LEAD LENGTH



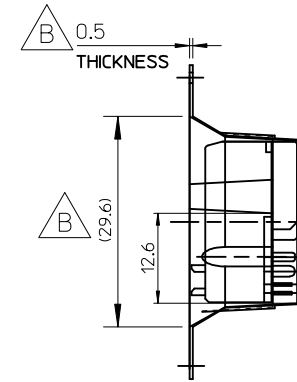
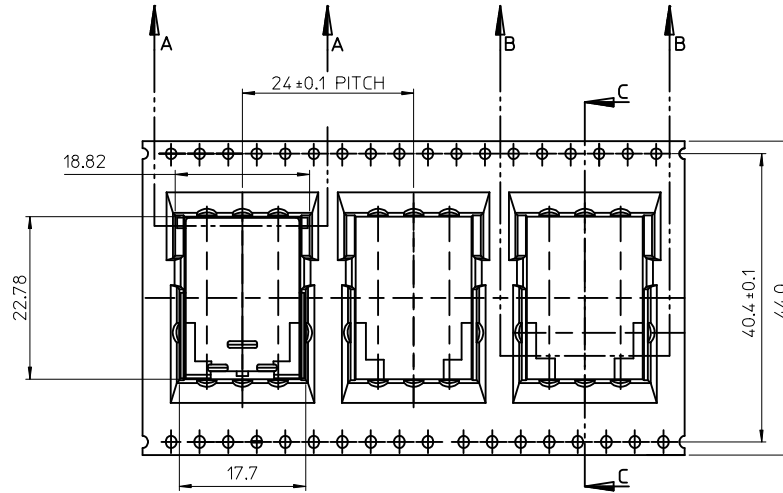
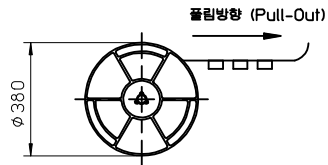
4. PEELING OFF FORCE OF COVER TAPE : 0.1N~0.59N(10.2GF~60GF)
(PEELING DIRECTION AS SHOW IN FOLLOW FIG.)
PEELING OFF SPEED : 300mm/Min.(Ref.)



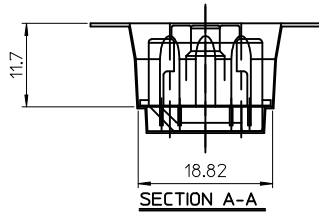
5. FLASH IN ANY PORTION SHOULD BE LESS THAN 0.20mm MAX.

DRAWING ERROR EC NO: KTR2017-0033 DRAWN: JMK/INO2 2017/01/14 CHKO: JMK/INO2 APPR: JHJANG 2017/03/20	QUALITY SYMBOLS	GENERAL TOLERANCES (UNLESS SPECIFIED)		DIMENSION STYLE MM ONLY		SCALE 5:1	DESIGN UNITS METRIC	THIRD ANGLE PROJECTION
	▽=0	mm	INCH	DRAWN BY	DATE	TITLE		
	▽=0	4 PLACES ± --- ± ---		HIMOON	2013/05/02	HSAUTOLINK R/A HEADER TYPE-E FOR HMI MODULE (TAPE & REEL PACKING)		
	▽=0	3 PLACES ± --- ± ---		CHECKED BY	DATE			
	2 PLACES ± 0.15 ± ---		BCYOON	2013/05/02	MATERIAL NO.			
	1 PLACE ± 0.25 ± ---		APPROVED BY	DATE	SEE TABLE 1		SD-104087-008	2 OF 2
	0 PLACE ± --- ± ---		JHBAE	2013/07/30	SIZE A2		THIS DRAWING CONTAINS INFORMATION THAT IS PROPRIETARY TO MOLEX INCORPORATED AND SHOULD NOT BE USED WITHOUT WRITTEN PERMISSION	
		ANGULAR ± 1 °						
		DRAFT WHERE APPLICABLE MUST REMAIN WITHIN DIMENSIONS						

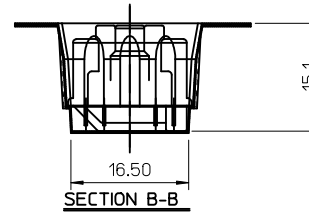
B TAPING STYLE



SECTION C-C



SECTION A-A



SECTION B-B

NOTES

1. MATERIAL
 - PLASTIC BOBBIN : P.S
 - CARRIER TAPE : P.E.T ANTISTATIC
- B** 2. THICKNESS : 0.5±0.05
3. PACKING QUANTITY : 200 PCS / 1 REEL

<TABLE>	
MATERIAL NO.	ORDER NO.
1040879002	104087-9002

DRAWING ERROR
 EC NO: KTR2017-0033
 DRWN: JMK/IM02 2017/01/14
 CHKD:
 APPR: JHJANG 2017/03/20

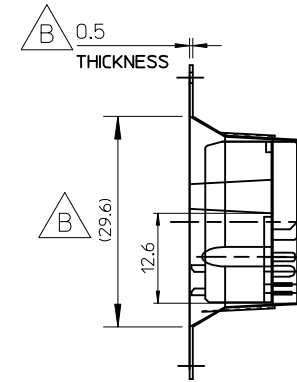
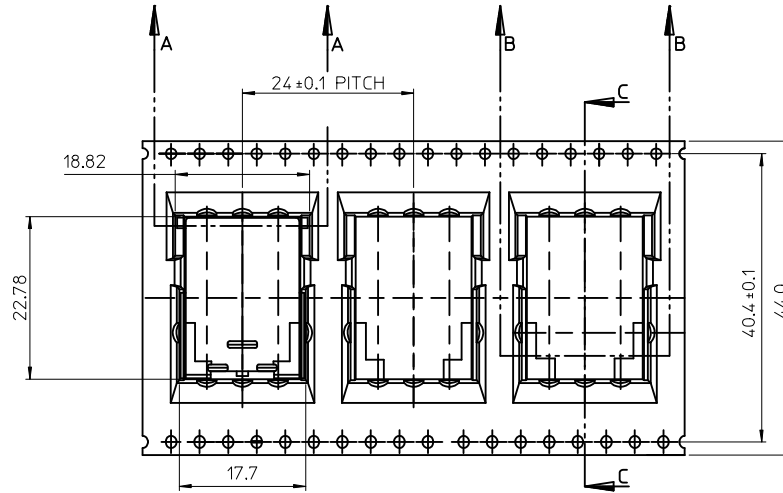
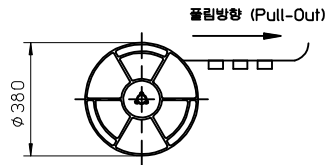
QUALITY SYMBOLS

GENERAL TOLERANCES (UNLESS SPECIFIED)		
	mm	INCH
4 PLACES	± ---	± ---
3 PLACES	± ---	± ---
2 PLACES	± 0.15	± ---
1 PLACE	± 0.25	± ---
ANGULAR ± 1 °		
DRAFT WHERE APPLICABLE MUST REMAIN WITHIN DIMENSIONS		

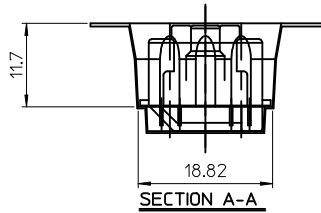
DIMENSION STYLE	
MM ONLY	
DRAWN BY	DATE
HIMOON	2013/05/02
CHECKED BY	DATE
BCYOON	2013/05/02
APPROVED BY	DATE
JHJANG	2017/03/20
MATERIAL NO.	
SEE TABLE	
SIZE	
A/4	

SCALE	DESIGN UNITS	THIRD ANGLE PROJECTION
	METRIC	
TITLE		
HSAUTOLINK R/A HEADER TYPE-E FOR HMI MODULE (TAPE & REEL PACKING)		
molex MOLEX INCORPORATED		
MATERIAL NO.	DOCUMENT NO.	SHEET NO.
	SD-104087-011	1 OF 1
THIS DRAWING CONTAINS INFORMATION THAT IS PROPRIETARY TO MOLEX INCORPORATED AND SHOULD NOT BE USED WITHOUT WRITTEN PERMISSION		

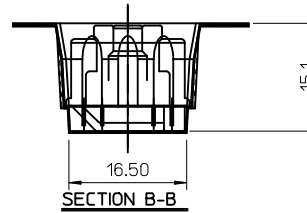
B TAPING STYLE



SECTION C-C



SECTION A-A



SECTION B-B

NOTES

1. MATERIAL
 - PLASTIC BOBBIN : P.S
 - CARRIER TAPE : P.E.T ANTISTATIC
- B** 2. THICKNESS : 0.5±0.05
3. PACKING QUANTITY : 200 PCS / 1 REEL

<TABLE>	
MATERIAL NO.	ORDER NO.
1040879002	104087-9002

DRAWING ERROR
 EC NO: KTR2017-0033
 DRWN: JMK/IM02 2017/01/14
 CHKD:
 APPR: JHJANG 2017/03/20

QUALITY SYMBOLS
 = 0
 = 0.05

GENERAL TOLERANCES (UNLESS SPECIFIED)

	mm	INCH
4 PLACES	± ---	± ---
3 PLACES	± ---	± ---
2 PLACES	± 0.15	± ---
1 PLACE	± 0.25	± ---
ANGULAR ± 1 °		

DRAFT WHERE APPLICABLE MUST REMAIN WITHIN DIMENSIONS

DIMENSION STYLE
MM ONLY

DRAWN BY	DATE
HIMOON	2013/05/02
CHECKED BY	DATE
BCYOON	2013/05/02
APPROVED BY	DATE
JHJANG	2017/03/20

MATERIAL NO. SEE TABLE

SCALE
 DESIGN UNITS
METRIC

THIRD ANGLE PROJECTION

TITLE
HSAUTOLINK R/A HEADER TYPE-E FOR HMI MODULE (TAPE & REEL PACKING)

molex MOLEX INCORPORATED

DOCUMENT NO. SD-104087-011

SHEET NO. 1 OF 1

THIS DRAWING CONTAINS INFORMATION THAT IS PROPRIETARY TO MOLEX INCORPORATED AND SHOULD NOT BE USED WITHOUT WRITTEN PERMISSION