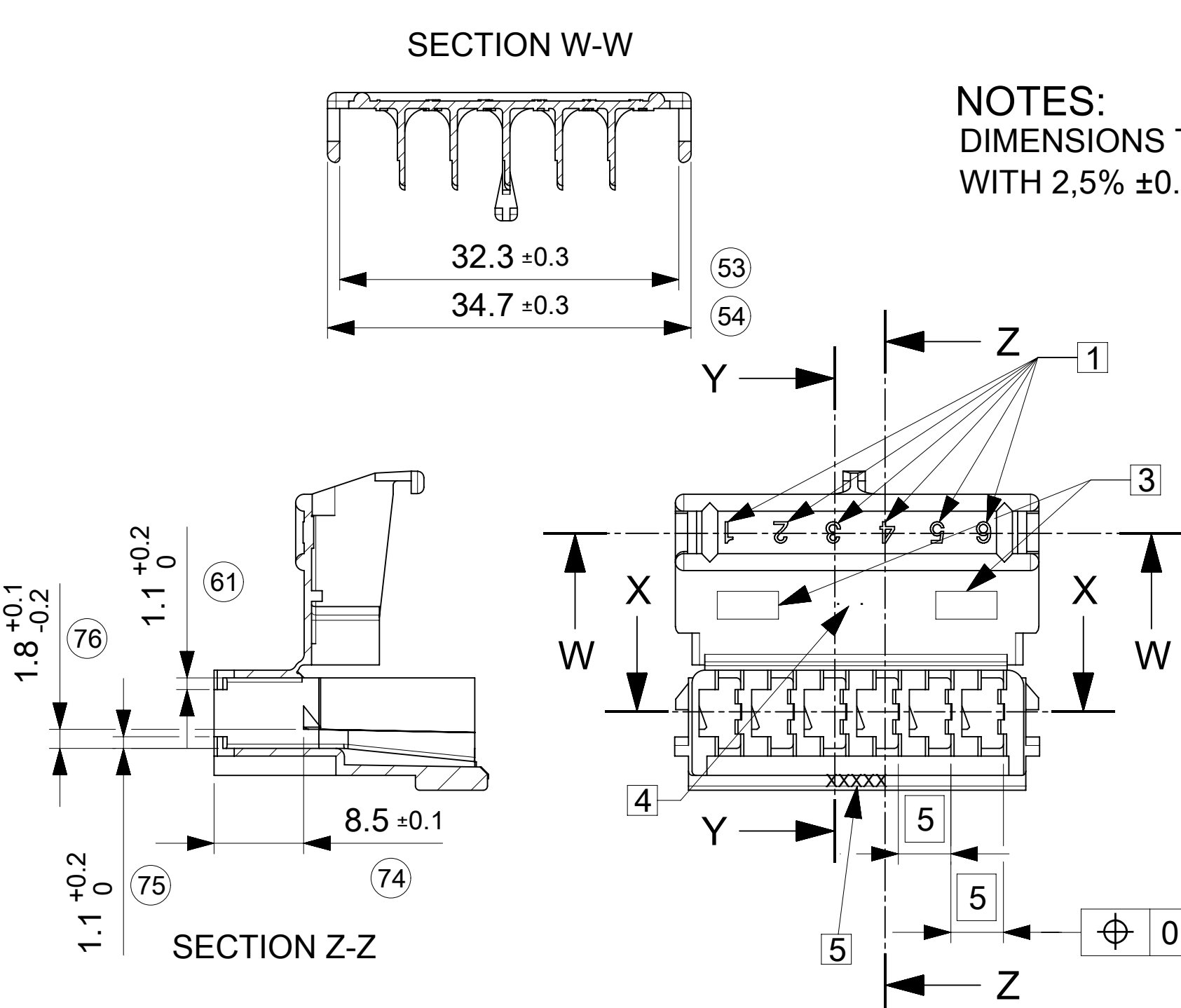
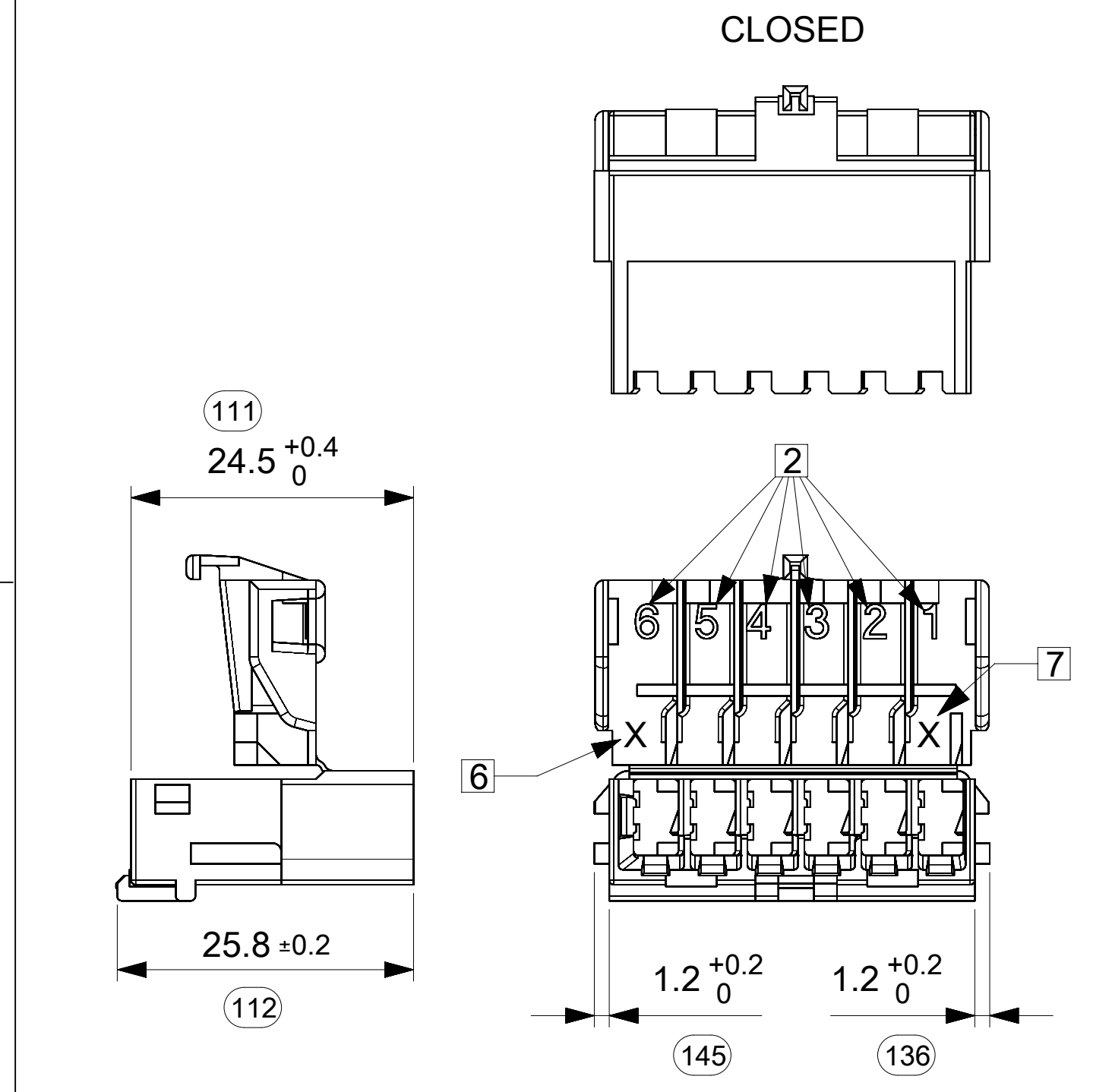
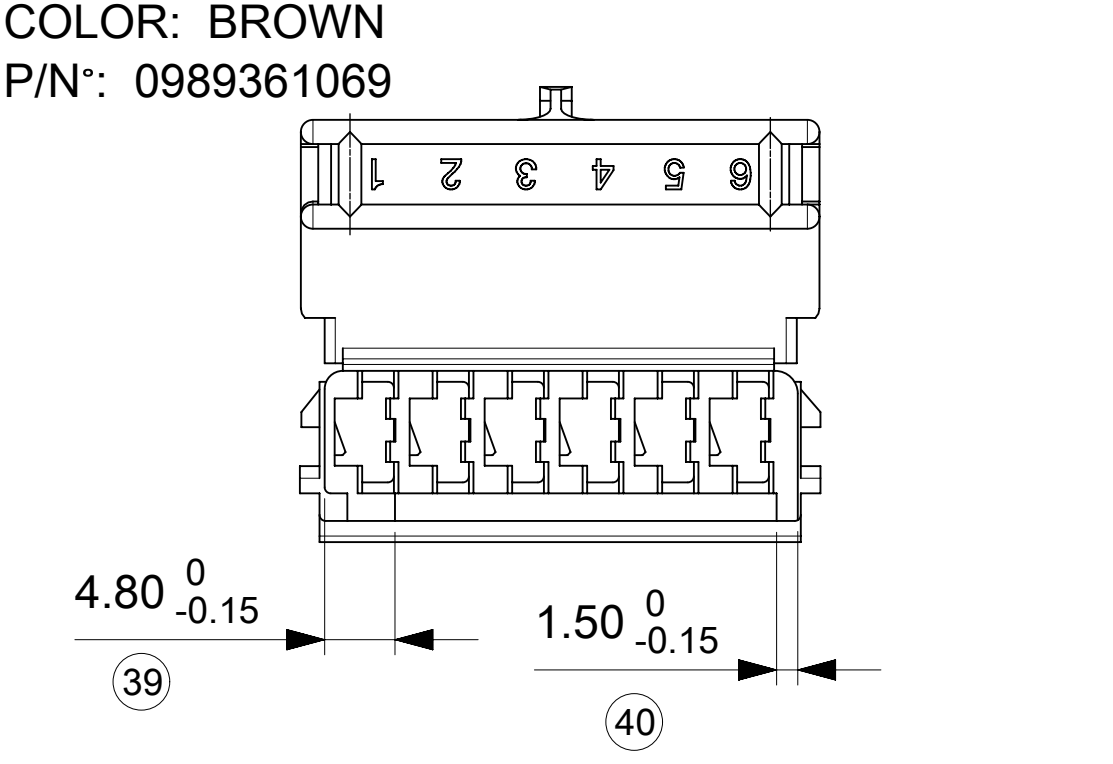
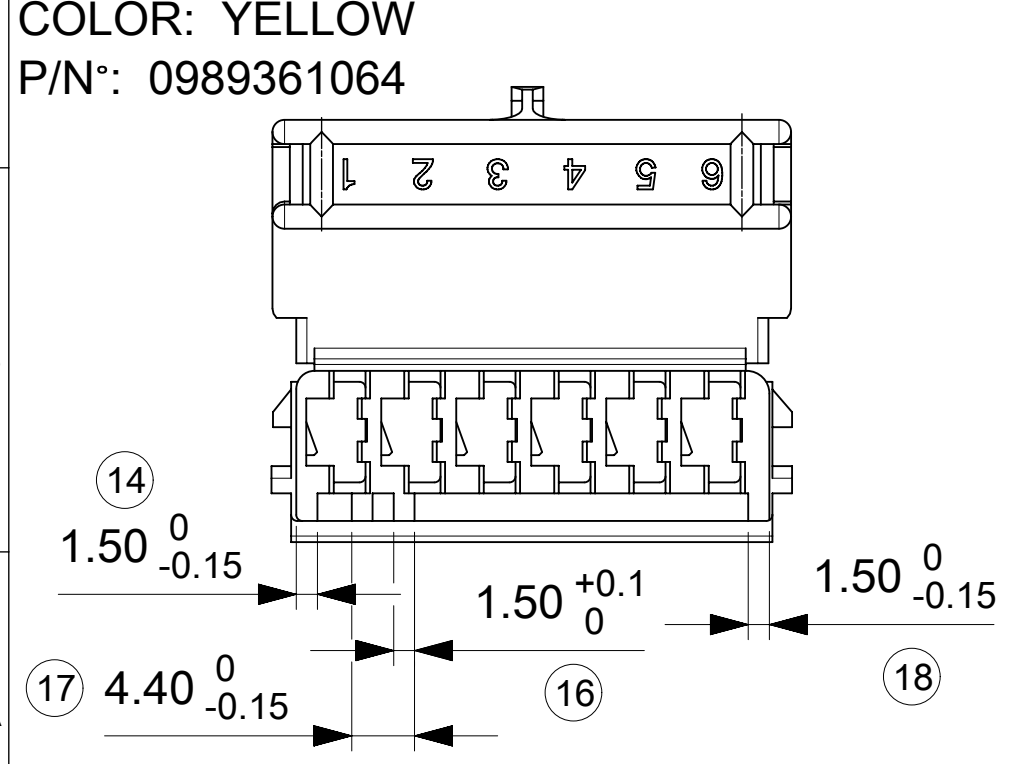
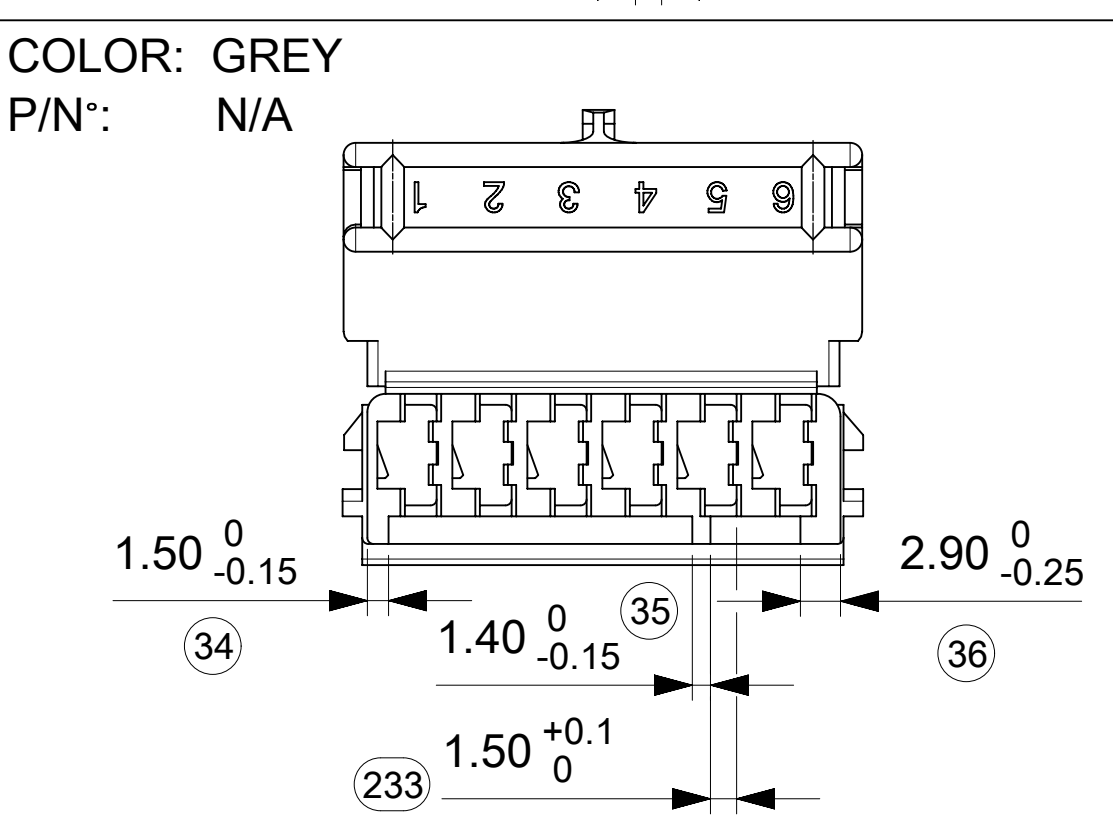
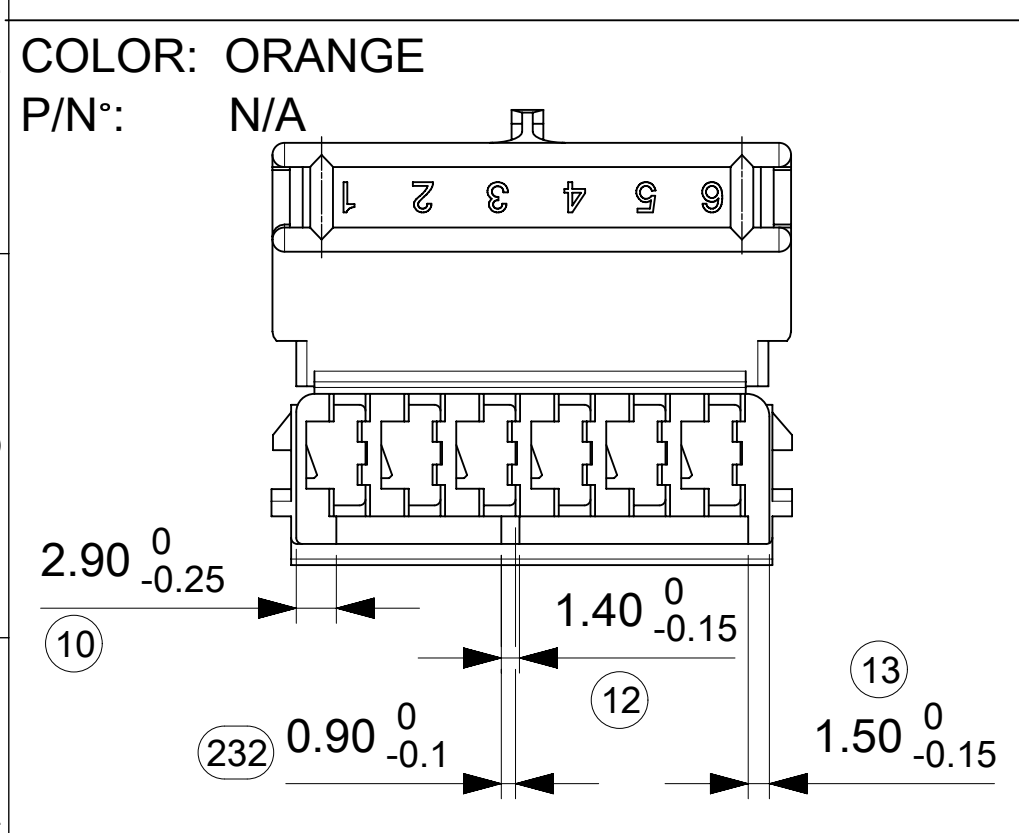
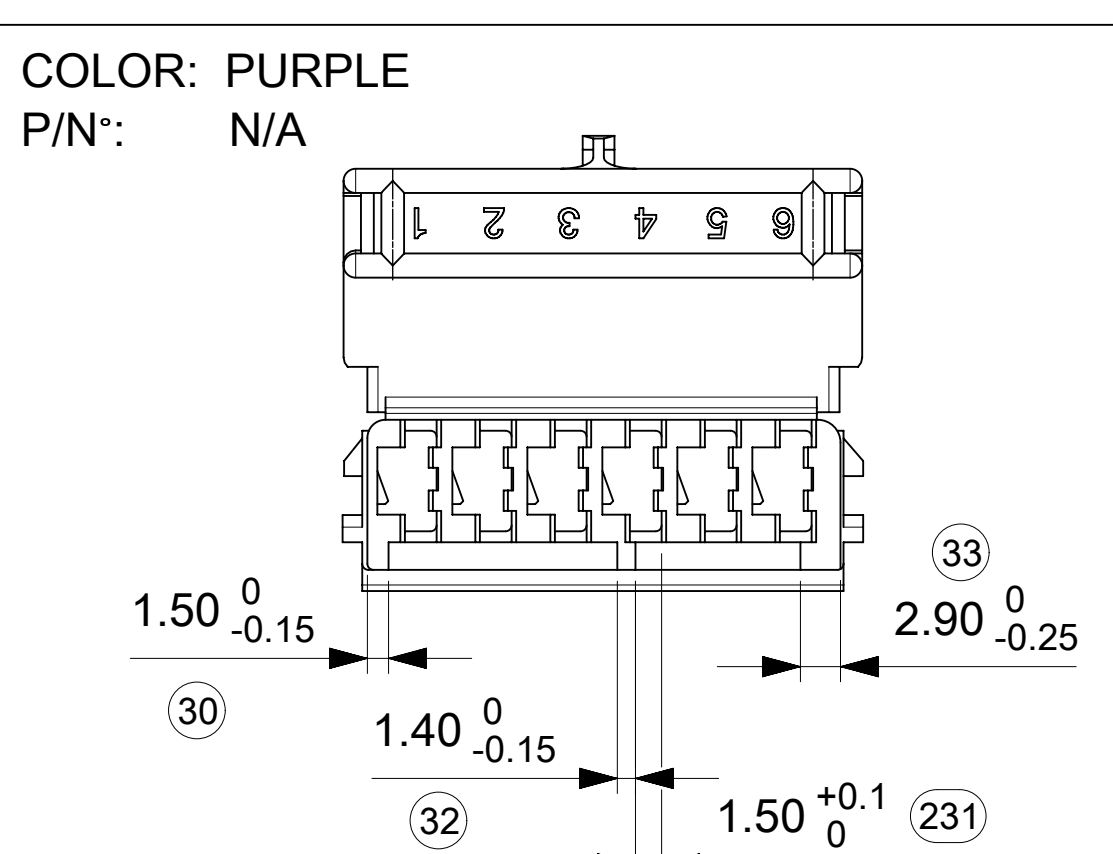
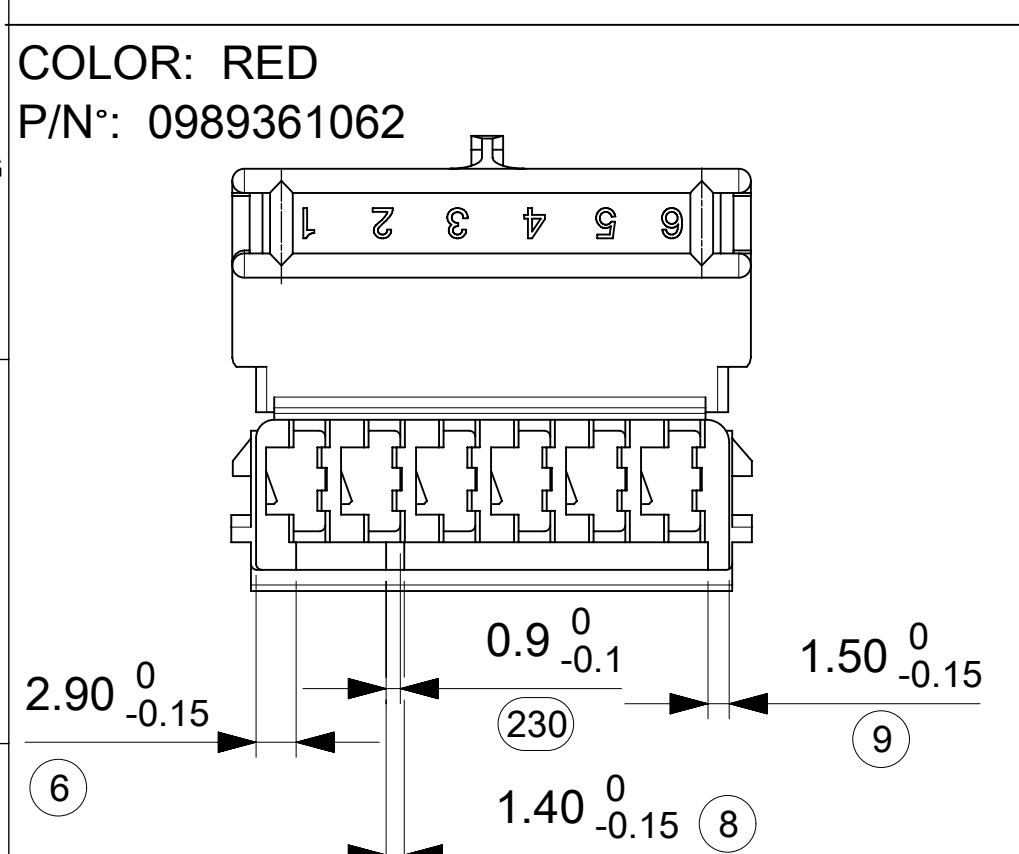
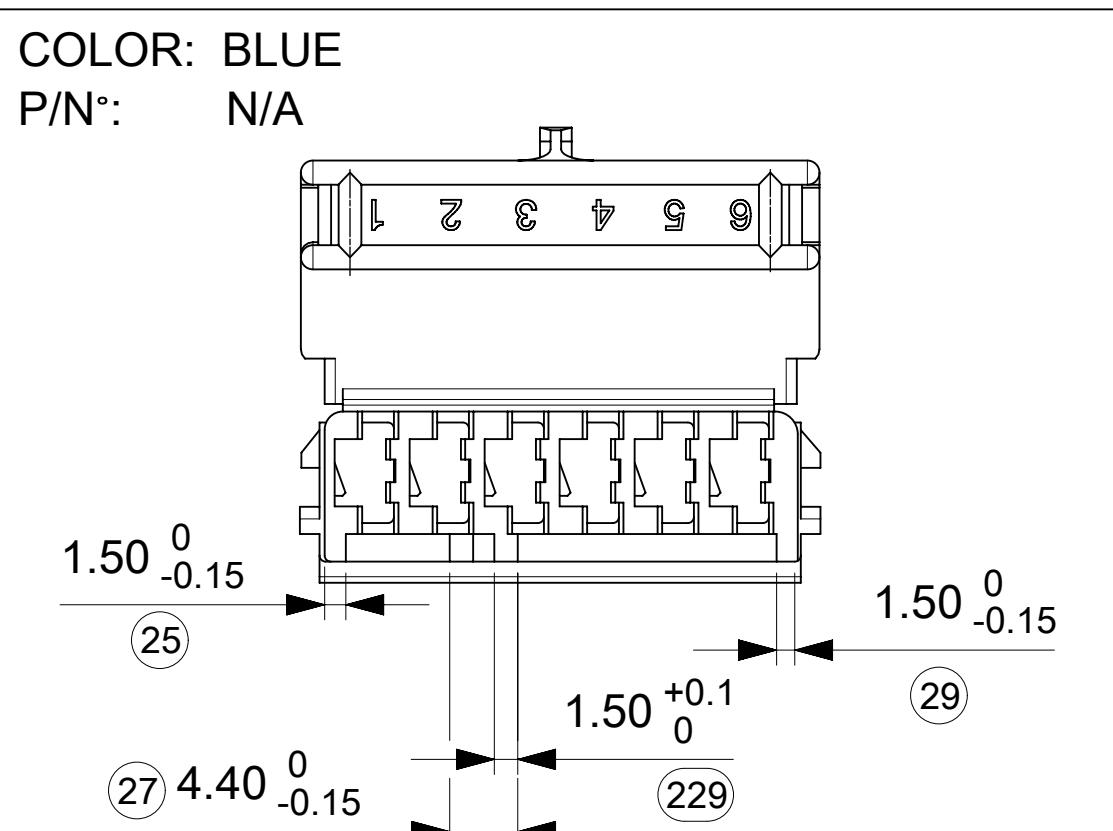
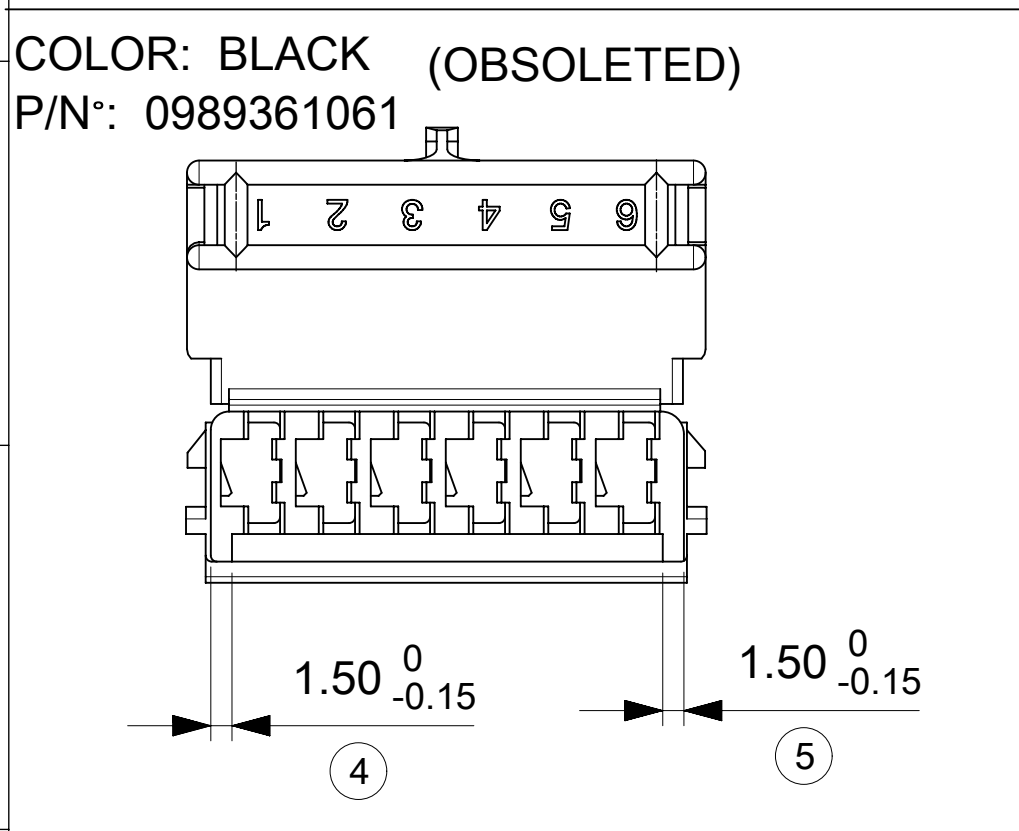
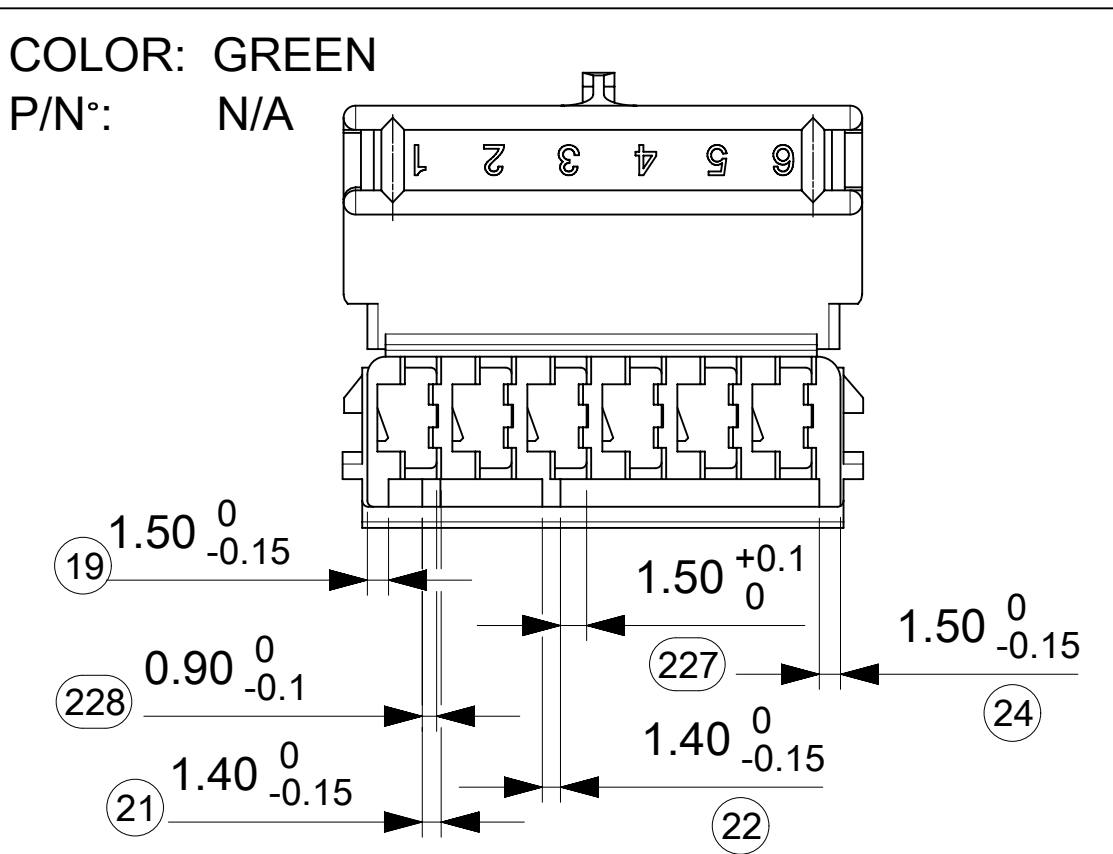
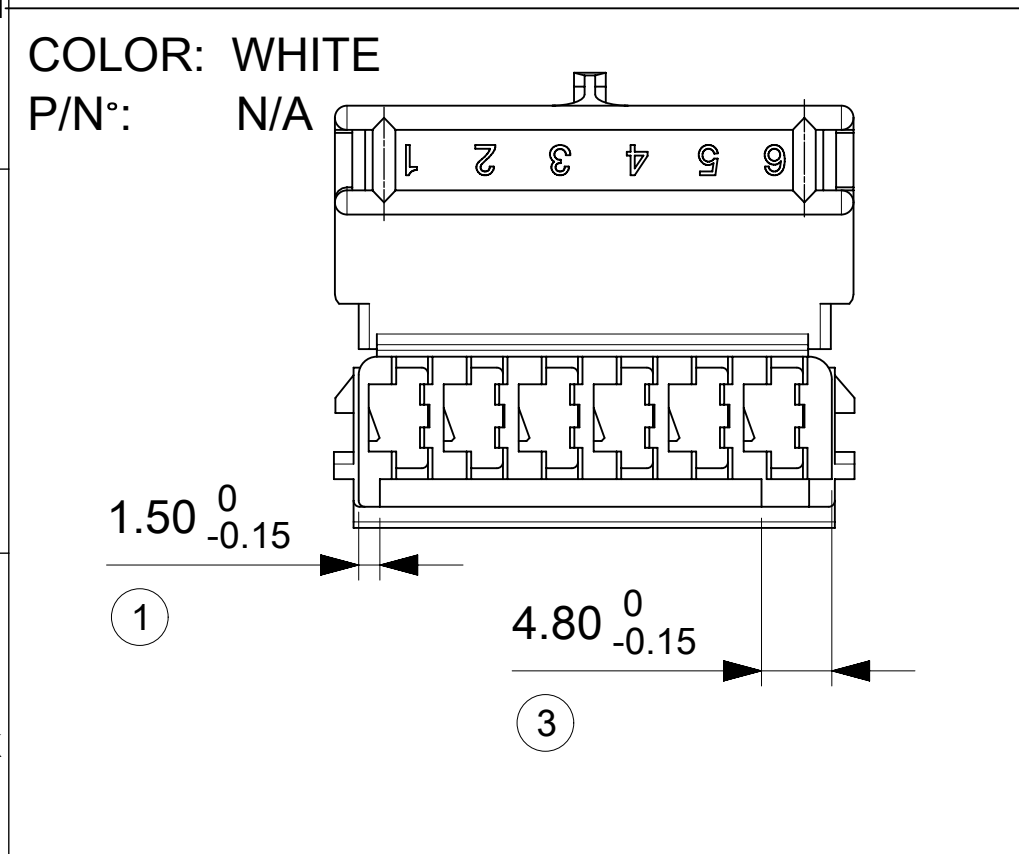
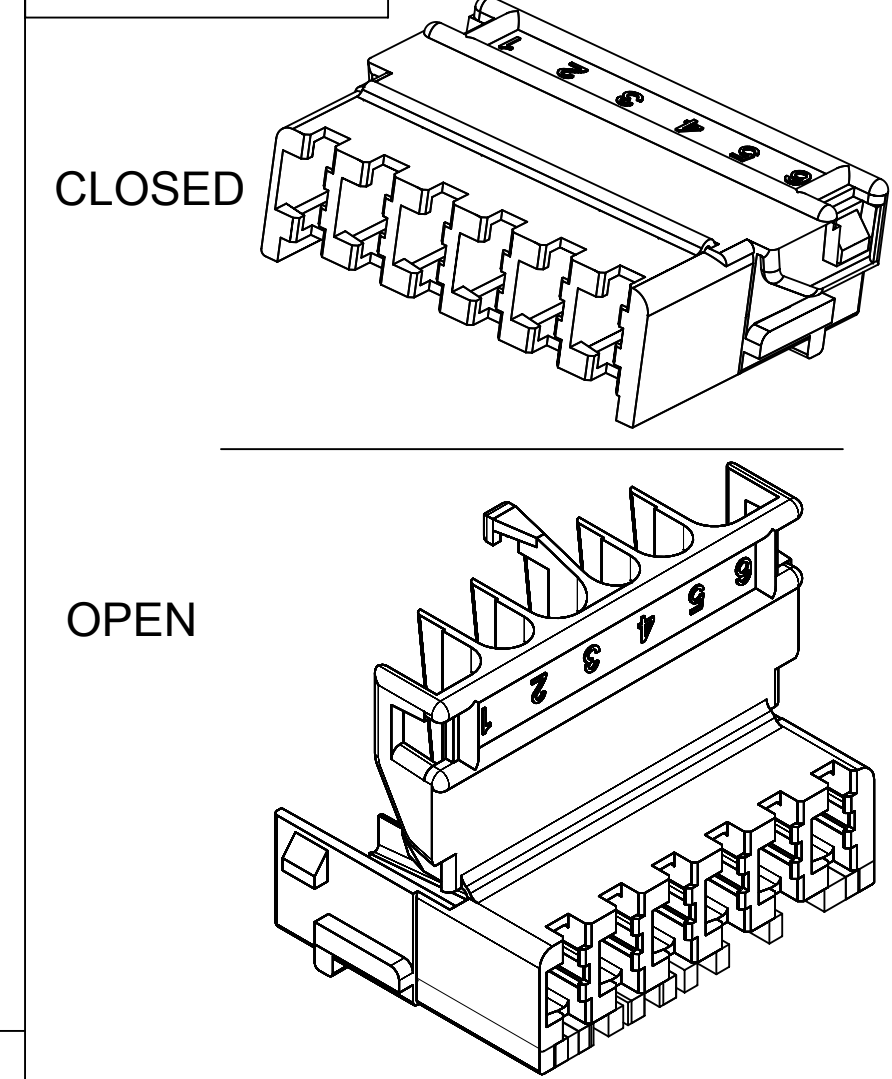


CODINGS

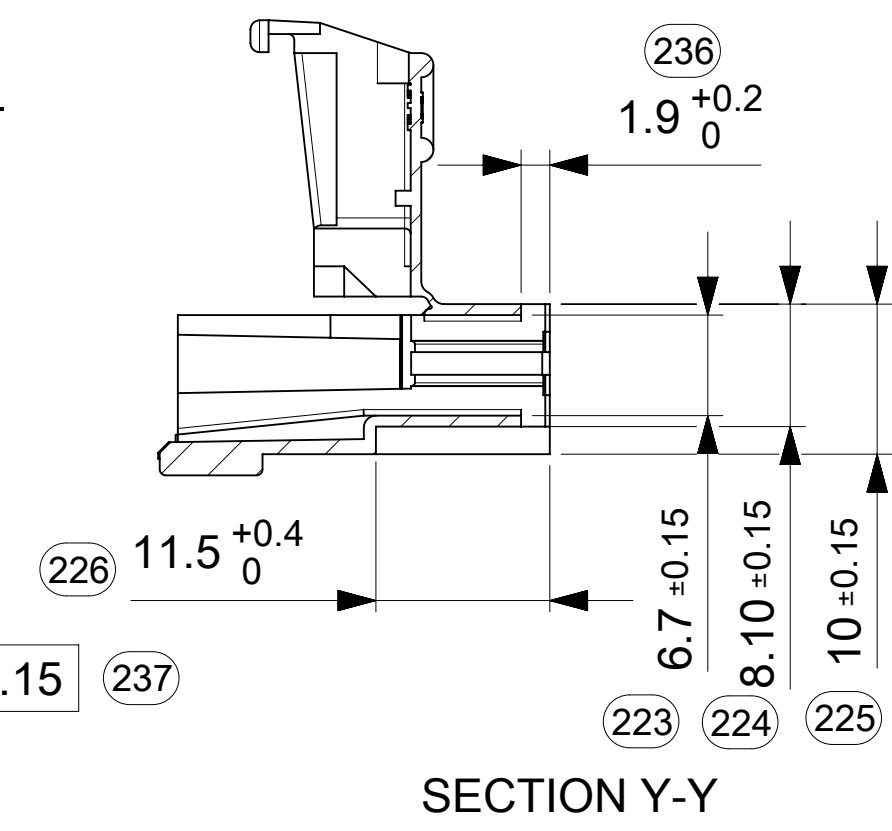
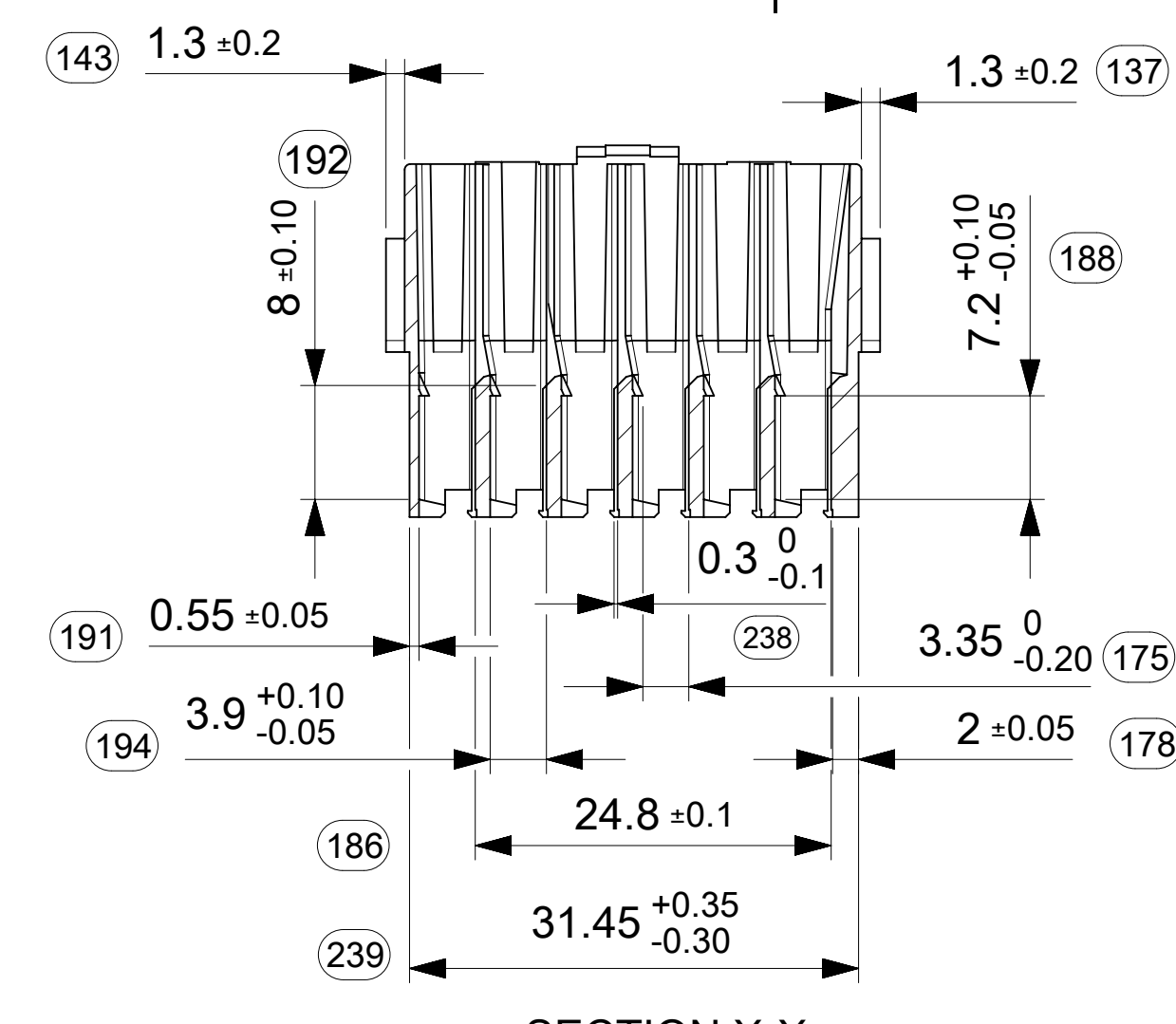
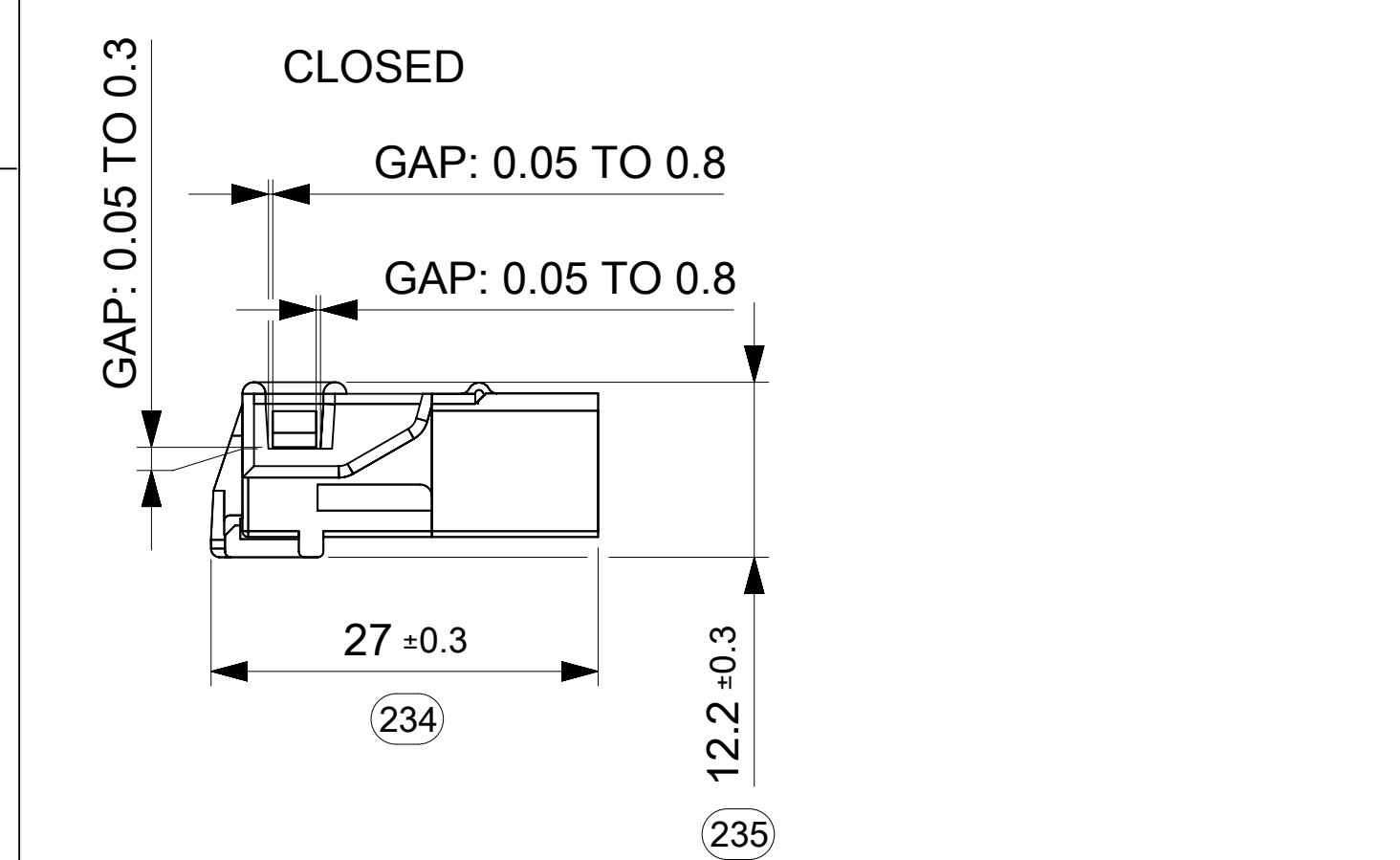
GREY	N/A	6CKT RCPT HSG	PA6.6
PURPLE	N/A		
BLUE	N/A		
GREEN	N/A		
ORANGE	N/A		
RED	0989361062		
WHITE	N/A		
COLOR	P/N*	DESCRIPTION	MATERIAL

CAVITIES SPECIFICATIONS			
CRIMPING		WIRE (SECTION MM2)	INSULATION (ØEXT.MM)
SINGLE WIRE		3MM2 MAX.	4MM MAX
TWIN WIRES	SIDE BY SIDE	1MM2 + 1.4MM2	2.7MM + 3MM MAX
	TOP & DOWN	0.6MM2 + 2MM2	2.4MM + 3.2MM
TERMINALS TO BE USED			
P/N's	TYPE OF TERMINAL	MATERIAL	SECTION (MM2)
0988901014	CSP Term.		0.35 TO 1 MM2
0988951014	VDL Term.	CuZn15	REDUCED INSULATION
0988952014	VDL Term.	CuSn	
0988901011	CSP Term.		0.35 TO 1 MM2
0988951011	VDL Term.	CuZn15	1 TO 3 MM2
0988952011	VDL Term.	CuSn	
0988901012	CSP Term.		
0988951012	VDL Term.	CuZn15	
0988951012	VDL Term.	CuSn	

ISO VIEWS



NOTES:
DIMENSIONS TO BE CHECKED ON STABILIZED PARTS WITH 2,5% ±0.5% OF WATER.



MARKINGS

- 1 - TERMINALS CAVITIES NUMBERING (OUTSIDE):---HEIGHT = 2MM,---IN RELIEF 0.2MM
- 2 - TERMINALS CAVITIES NUMBERING (INSIDE):-----HEIGHT = 3MM,---IN RELIEF 0.2MM
- 3 - SUPPLIER ACRONYM:-----IN RELIEF 0.2MM
- 4 - DRAWING REVISION LEVEL:---2 MARKS,-----IN RELIEF 0.2MM
- 5 - SERIES NUMBER:-----HEIGHT = 1MM,---IN RELIEF 0.2MM
- 6 - MOLD CAVITY NUMBER:-----HEIGHT = 2MM,---IN RELIEF 0.2MM
- 7 - MOLD NUMBER:-----HEIGHT = 2MM,---IN RELIEF 0.2MM

* INSPECTION NUMBERS FROM 1 TO 226 SPOTTED ON THE DRAWING ARE COMING FROM THE ENG. DWG.

L	* ①	* ②39		
REV.	FIRST	LAST	DELETED	SUPERSEDED
INSPECTION NUMBERS				

THIS DRAWING CONTAINS INFORMATION THAT IS PROPRIETARY TO MOLEX ELECTRONIC TECHNOLOGIES, LLC AND SHOULD NOT BE USED WITHOUT WRITTEN PERMISSION

DIMENSION UNITS	SCALE	CURRENT REV DESC:	AS PER PCN#510182
mm	2:1	EC NO:	670345
GENERAL TOLERANCES (UNLESS SPECIFIED)		DRWN:	ABHISP1
4 PLACES ±		CHK'D:	GGA
3 PLACES ±		APPR:	GGA
2 PLACES ±	0.1	INITIAL REVISION:	
1 PLACE ±	0.1	DRWN:	GDESBRUERES
0 PLACES ±		APPR:	OPLESSIS
ANGULAR TOL	± 2.0°		
DRAFT WHERE APPLICABLE MUST REMAIN WITHIN DIMENSIONS	FIRST ANGLE PROJECTION	DRAWING	SERIES
		A1-SIZE	98936

M	OBSOLETE PART NO 989361061
L	-CINCH GENERIC DRAWING FORMAT REDRAWN & UPDATED ON OSDM FILE FORMAT FOR MOLEX. -DIM#186: 24.8±0.1 WAS 25±0.15
REV.	MODIFICATIONS

molex			
6CKT CSP5 RCPT HSG			
PRODUCT CUSTOMER DRAWING			
DOCUMENT NUMBER	DOC TYPE	DOC PART	REVISION
SD-98936-009	PSD	001	M1
MATERIAL NUMBER	CUSTOMER	SHEET NUMBER	
SEE TABLE	GENERAL MARKET	1 OF 1	