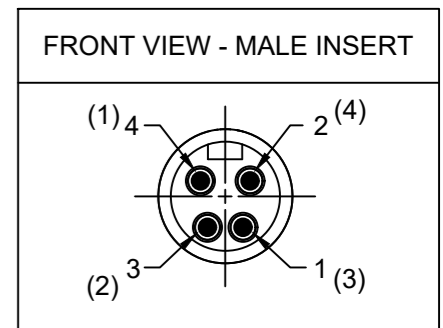
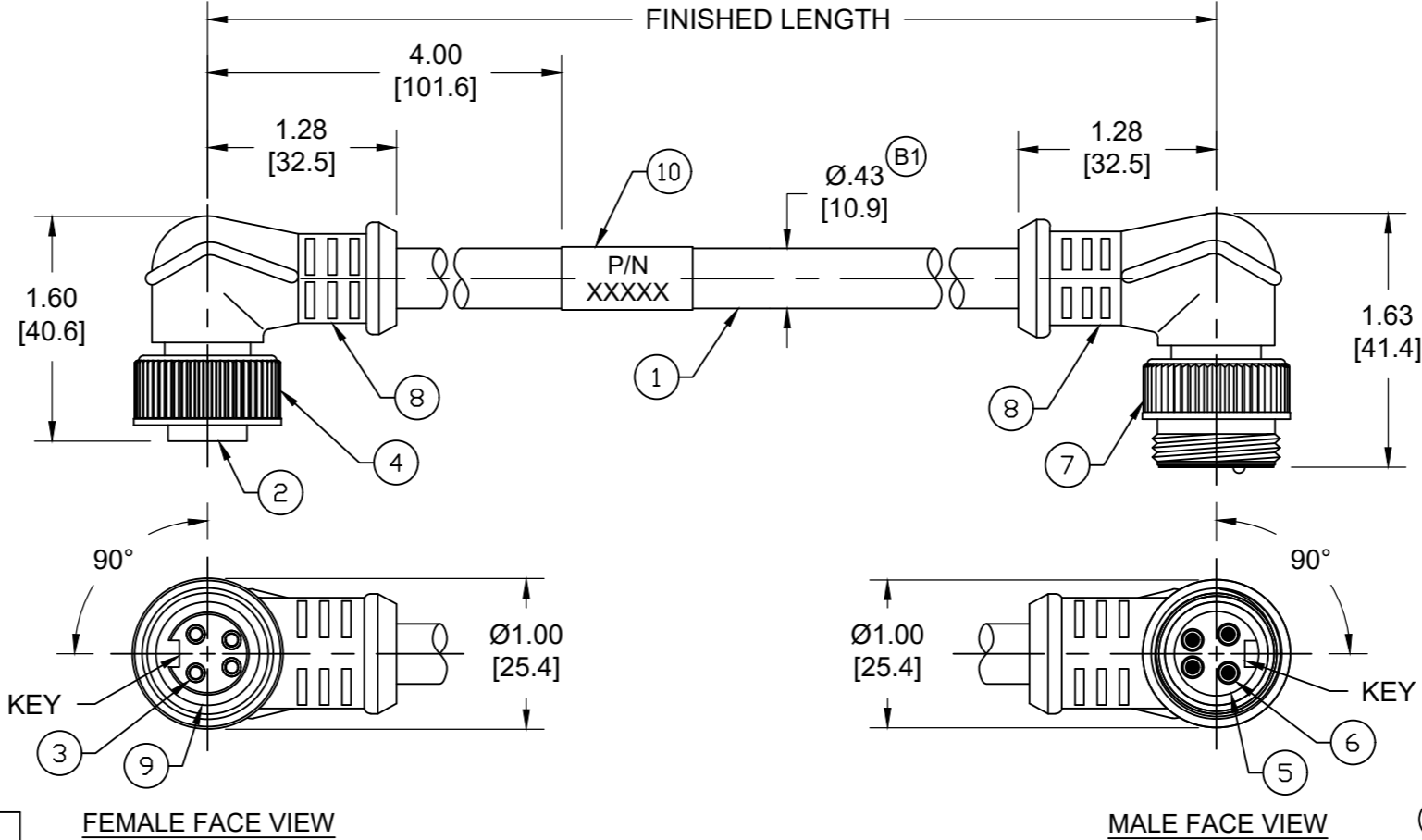


| (B1) PART NO | ENGINEERING NO. | FINISHED LENGTH |
|--------------|-----------------|-------------------|
| 1300101743 | 114033K12M005 | 0.5M [1FT 8 IN] |
| 1300101910 | 114033K12M300 | 30M [98FT 5 IN] |
| 1300101913 | 114033K12M600 | 60M [196FT 10 IN] |



- NOTES:
- MATERIAL: SEE TABLE
 - FINISH: SEE TABLE
 - ELECTRICAL:
VOLTAGE: 483V PER IEC60664
600V PER UL2238
CURRENT: 8A (B1)
 - TEMP RATING: -20°TO +90°C
 - PROTECTION: IP67 (WHEN MATED)
 - COUPLING THREAD: 7/8-16 UN
 - UL LISTED FILE: E152210 (B1)
 - ALL DIMENSIONS ARE FOR REFERENCE UNLESS TOLERANCED OR NOTED OTHERWISE



CENELEC EN 50 044 PINOUT SHOWN (SAE-J-1738A SHOWN IN PARENTHESIS)

| | | |
|-------|-------|-------|
| 4 (1) | BLACK | 4 (1) |
| 3 (2) | BLUE | 3 (2) |
| 1 (3) | BROWN | 1 (3) |
| 2 (4) | WHITE | 2 (4) |

MECHANICAL CHARACTERISTICS: (B1)

| | |
|----------------------|------------------------------------|
| TORSIONAL FLEX TEST | 20 MILLION CYCLES PER MIL-C-13777G |
| BEND FLEX TEST | 20 MILLION CYCLES PER MIL-C-13777G |
| WELD SLAG RESISTANCE | WOODHEAD STANDARD S-300 |

| ITEM | DESCRIPTION | MATERIAL | FINISH |
|------|----------------------|---------------|-------------------|
| 10 | WRAP LABEL | VINYL | BLACK/YELLOW (B1) |
| 9 | FRICTION RING | NYLON | WHITE (B1) |
| 8 | OVERMOLD | TPE | YELLOW |
| 7 | COUPLING NUT, MALE | ZINC DIE-CAST | BLACK E-COAT |
| 6 | CONTACT PIN | COPPER ALLOY | GOLD OVER NICKEL |
| 5 | MALE INSERT | TPE | YELLOW |
| 4 | COUPLING NUT, FEMALE | ZINC DIE-CAST | BLACK E-COAT |
| 3 | CONTACT SOCKET | COPPER ALLOY | GOLD OVER NICKEL |
| 2 | FEMALE INSERT | TPE | YELLOW |
| 1 | CABLE, 16/4 AWG | TPE | YELLOW |

PART NUMBER LEGEND
114033K12M005
FINISHED LENGTH
M005 = 0.5 METER
M010 = 1 METER
M100 = 10 METER

(B1) CABLE LENGTH TOLERANCES

| | |
|--------------------------|-------------------------|
| <.3M [1FT]: | +19mm-0 [+.75in-0] |
| .3 - .9M [1 - 3FT]: | +44.5mm-0 [+1.75in-0] |
| .9 - 1.8M [3 - 6FT]: | +55.6mm-0 [+2.19in-0] |
| 1.8 - 3.7M [6 - 12FT]: | +88.9mm-0 [+3.50in-0] |
| 3.7 - 7.3M [12 - 24FT]: | +165.1mm-0 [+6.50in-0] |
| 7.3-14.6M [24 - 48FT]: | +317.5mm-0 [+12.50in-0] |
| 14.6 - 30.5M [48-100FT]: | +622.3mm-0 [+24.50in-0] |
| OVER 30M [100FT] | +2% OF FINISHED LENGTH |

| | | | | | | | |
|--------------------|--|--|---------|--------|-----------------|----------------|--|
| FUNCTIONAL SYMBOLS | THIS DRAWING CONTAINS INFORMATION THAT IS PROPRIETARY TO MOLEX ELECTRONIC TECHNOLOGIES, LLC AND SHOULD NOT BE USED WITHOUT WRITTEN PERMISSION | CURRENT REV DESC: ADDED ITEM-9, TOL CHART, UL NUMBER AND CABLE DIA. CURRENT WAS 10A & ITEM-10 WAS MYLAR. MODIFIED PN CHART | | | | | |
| | DIMENSION UNITS: INCH/MM SCALE: NTS GENERAL TOLERANCES (UNLESS SPECIFIED): 4 PLACES ±--- ±--- 3 PLACES ±--- ±--- 2 PLACES ±--- ±--- 1 PLACE ±--- ±--- 0 PLACES ±--- ±--- ANGULAR TOL ± --- ° | | | | | | EC NO: 709714 DRWN: ABENJAMINLW 2022/05/16 CHK'D: RSTONE 2022/06/08 APPR: BWOODMAN 2022/06/14 |
| DIVISIONAL SYMBOLS | DRAFT WHERE APPLICABLE MUST REMAIN WITHIN DIMENSIONS | THIRD ANGLE PROJECTION | DRAWING | SERIES | MATERIAL NUMBER | CUSTOMER | SHEET NUMBER |
| | | | B-SIZE | 130010 | SEE CHART | GENERAL MARKET | 1 OF 1 |