

Adapter - HC-M-ADP-EMC - 1420486


Please be informed that the data shown in this PDF Document is generated from our Online Catalog. Please find the complete data in the user's documentation. Our General Terms of Use for Downloads are valid (<http://phoenixcontact.com/download>)



Adapter V, application: Shield adapters



Key Commercial Data

Packing unit	1 pc
GTIN	 4 0 5 5 6 2 6 2 2 5 2 7 2
GTIN	4055626225272

Technical data

Ambient conditions

Ambient temperature (operation)	-40 °C ... 85 °C
---------------------------------	------------------

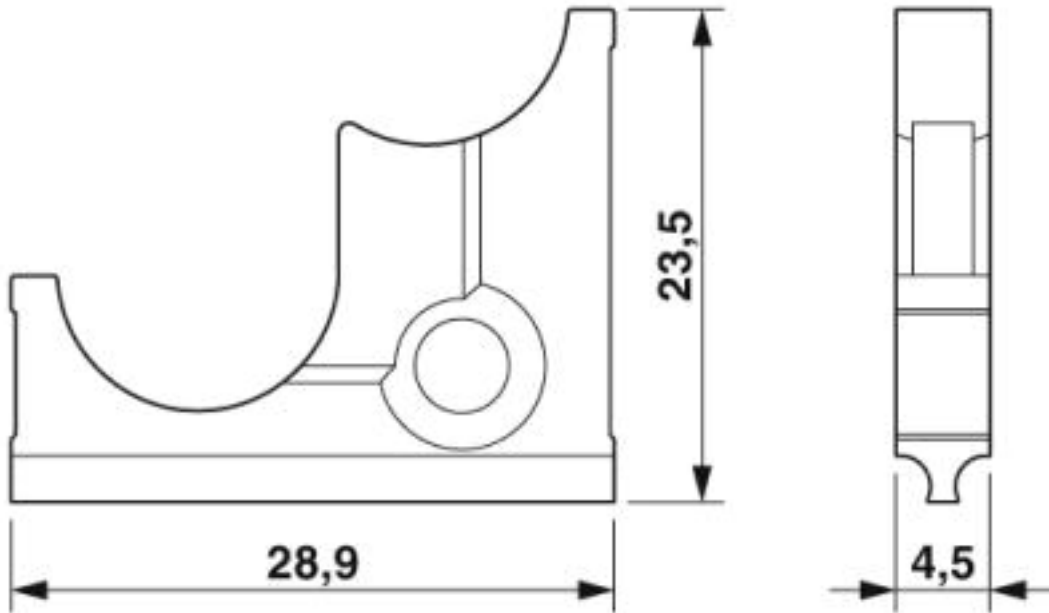
Environmental Product Compliance

China RoHS	Environmentally friendly use period: unlimited = EFUP-e
	No hazardous substances above threshold values

Drawings

Adapter - HC-M-ADP-EMC - 1420486

Dimensional drawing



Dimensional drawing

Approvals

Approvals

Approvals

EAC

Ex Approvals

Approval details

EAC

RU C-
DE.AI30.B.01102

Phoenix Contact 2019 © - all rights reserved
<http://www.phoenixcontact.com>

PHOENIX CONTACT GmbH & Co. KG
Flachsmarktstr. 8
32825 Blomberg
Germany
Tel. +49 5235 300
Fax +49 5235 3 41200
<http://www.phoenixcontact.com>