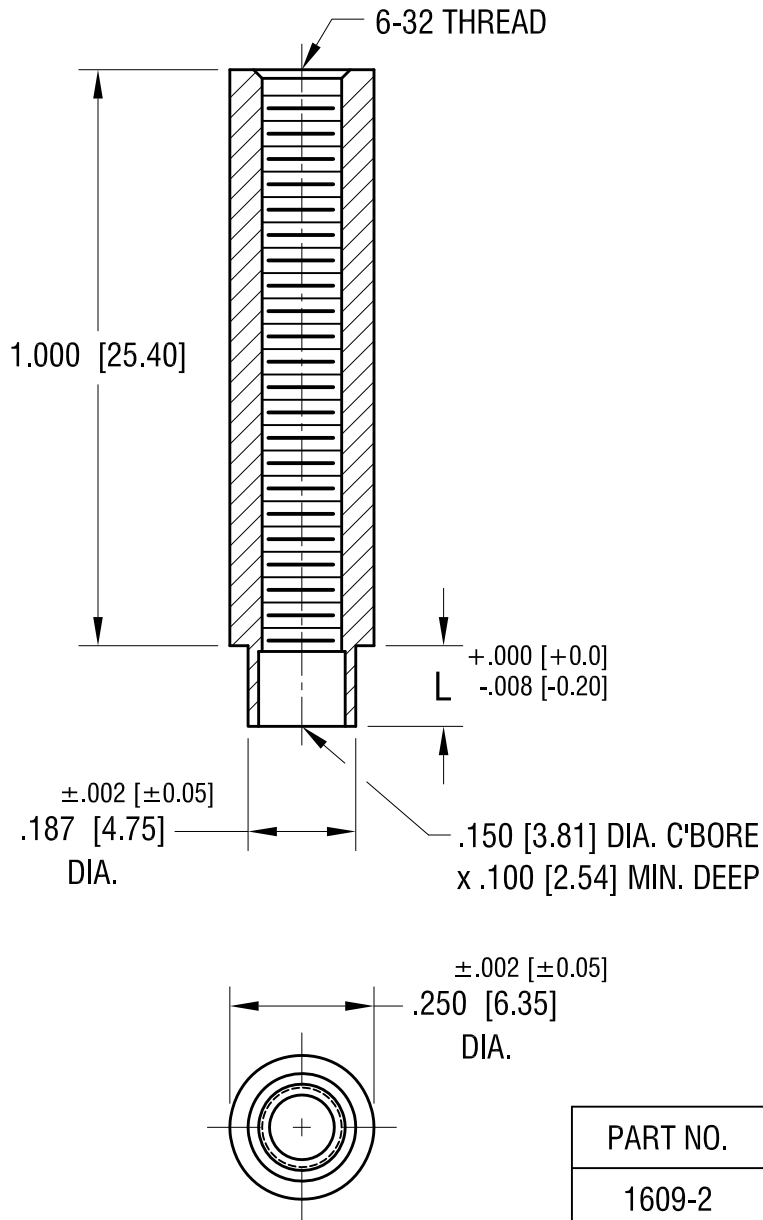
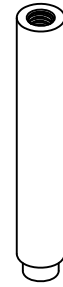


THIS DOCUMENT IS THE PROPERTY OF  
KEYSTONE ELECTRONICS CORP. AND  
SHALL NOT BE REPRODUCED, DISTRIBUTED  
OR USED AS A BASIS FOR MANUFACTURE  
WITHOUT PRIOR WRITTEN PERMISSION  
FROM KEYSTONE ELECTRONICS CORP.



ACTUAL SIZE



P/N 1609-2

| PART NO. | 'L' DIM.    |
|----------|-------------|
| 1609-2   | .109 [2.77] |
| 1609-3   | .140 [3.56] |
| 1609-4   | .171 [4.34] |

**KEYSTONE ELECTRONICS CORP.**

www.keyelco.com • NEW HYDE PARK NY 11040 • Tel (516)328-7500

PART NAME

SWAGE THREADED STANDOFF

MATERIAL

BRASS

FINISH

DUCTILE  
NICKEL PLATE

DRN BY

BOONE

DATE

5.14.02

APP'D

LN

SCALE

3X

11.22.21 CHANGE AS PER ECN 02-171

A

TOLERANCES

INCH [MM]

CODE

DWG NO.

DECIMAL

± .005 [± 0.13]

C

1609-

ANGULAR ± 1°

UNLESS OTHERWISE SPECIFIED

DATE

DESCRIPTION

REV.