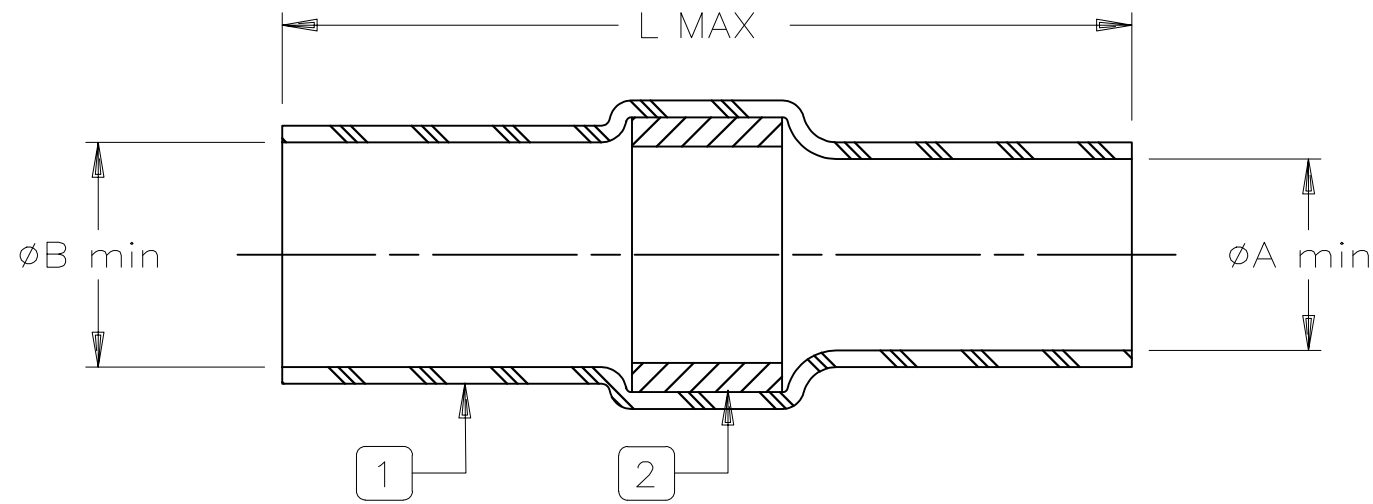
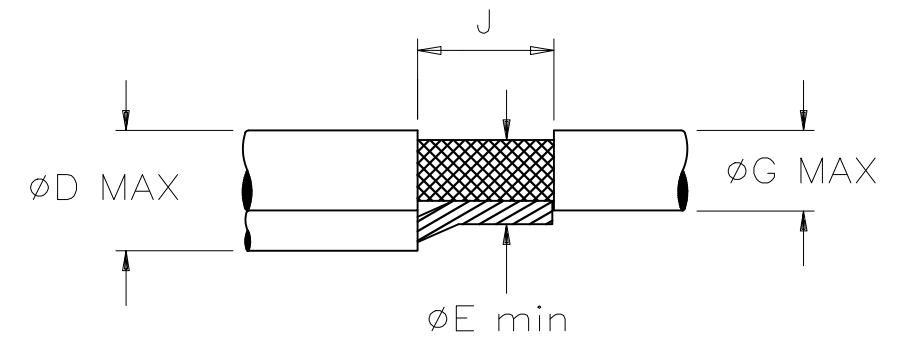


P	LTR	DESCRIPTION	DATE	DWN	APVD
2		AS PER ECO-20-004511	30MAR2020	MG	UV



For best results, prepare the cable as shown:



APPLICATION

These parts are designed to provide an environment protected shield termination on cables, rated for 125°C minimum, meeting the dimensional criteria listed, having tin or silver plated copper shields.

Temperature range:
-55°C to +150°C.

Install using TE Connectivity approved convection or infrared tools in accordance with Raychem assembly procedure RCPS-100-70.

TECHNICAL DETAILS

ITEM	DESCRIPTION	MATERIAL
1	Heat-shrinkable insulation sleeve Transparent blue.	Radiation cross-linked polyvinylidene fluoride.
2	Solder preform with flux.	Sn63 Pb37 solder alloy Thermal indicator: red

Product Name	Product dimensions			Cable dimensions			
	L MAX	ØA min	ØB min	ØD MAX	ØE min	ØG MAX	J±0.5 (±0.02)
D-101-08	17.25 (0.680)	4.55 (0.180)	5.00 (0.200)	5.00 (0.200)	2.5 (0.100)	4.55 (0.180)	7 (0.275)

THIS DRAWING IS A CONTROLLED DOCUMENT.		DWN M.GOWDA 30MAR2020	STE TE Connectivity	
DIMENSIONS: mm [INCHES]		CHK N.HEGDE 30MAR2020		
TOLERANCES UNLESS OTHERWISE SPECIFIED:		APVD U.VARMA 30MAR2020	NAME	
0 PLC ± -		PRODUCT SPEC	SOLDERSLEEVE SHIELD TERMINATOR	
1 PLC ± -		APPLICATION SPEC	-	
2 PLC ± -		WEIGHT	SIZE	CAGE CODE
3 PLC ± -		FINISH	DRAWING NO	
4 PLC ± -			RESTRICTED TO	
ANGLES ± -		MATERIAL	A3 06090 C-D-101-08	
MATERIAL		CUSTOMER DRAWING		SCALE
-		-		DNS
		SHEET		REV
		1 OF 1		2