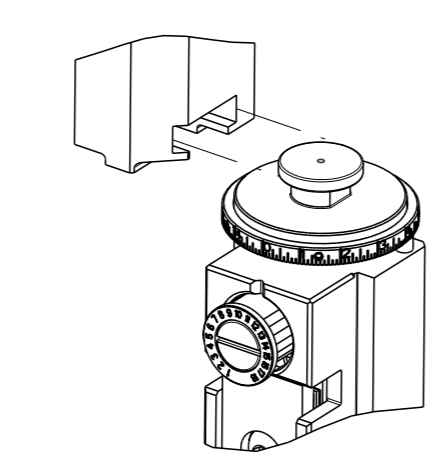


PART NUMBER	REVISION	DESCRIPTION	FEED TYPE
2151606-1	B	FINE CRIMP HEIGHT ADJUST	MECHANICAL
2151606-2	B	FINE CRIMP HEIGHT ADJUST	PNEUMATIC
7-2151606-1	B	MECHANICAL AND CRIMP TOOLING KIT	MECHANICAL
7-2151606-2	B	PNEUMATIC AND CRIMP TOOLING KIT	PNEUMATIC
7-2151606-7	A	CRIMP TOOLING KIT	-

ATLANTIC VERSION TERMINATOR INTERFACE ADAPTER



APPLICATOR DATA		
CRIMP	SIZE	TYPE
WIRE	2.54 mm [.100]	F
INSUL	3.94 mm [.155]	F

APPLICATOR INSTRUCTIONS
408-35042

TERMINAL DATA: TE TERMINAL		TE CRIMP SPECIFICATION	
TERMINAL NAME: PIN, .156 MATE-N-LOK			
WIRE STRIP LENGTH		INSULATION DIAMETER RANGE	
4.95-5.72mm [.195-.225 IN]		∅3.18mm Max [.125 IN]	
TERMINAL APPLICATION SPECIFICATION	114-1109	-	-
TERMINALS APPLIED			
TE TERMINAL	TE TERMINAL	TE TERMINAL	TE TERMINAL
61086-1			

TERMINAL DATA: TE TERMINAL		TE CRIMP SPECIFICATION	
TERMINAL NAME: SOCKET, .156 MATE-N-LOK			
WIRE STRIP LENGTH		INSULATION DIAMETER RANGE	
4.95-5.72mm [.195-.225 IN]		∅3.18mm Max [.125 IN]	
TERMINAL APPLICATION SPECIFICATION	114-1109	-	-
TERMINALS APPLIED			
TE TERMINAL	TE TERMINAL	TE TERMINAL	TE TERMINAL
61085-1			

WIRE SIZE	CRIMP HEIGHT mm [INCH]	CRIMP HEIGHT REFERENCE SETTING
14 AWG	1.96+/-0.05 [.077+/- .002]	5.5
16 AWG	1.70+/-0.05 [.067+/- .002]	8.5
18 AWG	1.55+/-0.05 [.061+/- .002]	10.0
20 AWG	1.45+/-0.05 [.057+/- .002]	11.1

WIRE SIZE	CRIMP HEIGHT WIRE CRIMP UNITS	CRIMP HEIGHT REFERENCE SETTING
14 AWG	1.96+/-0.05 [.077+/- .002]	5.5
16 AWG	1.70+/-0.05 [.067+/- .002]	8.5
18 AWG	1.55+/-0.05 [.061+/- .002]	10.0
20 AWG	1.45+/-0.05 [.057+/- .002]	11.1

- 1. RECOMMENDED SPARE PARTS
- 2. REFER TO SUPPLIED INSTRUCTION SHEET FOR CLEANING, LUBRICATION AND STORAGE OF APPLICATOR.
- 3. APPLY PART NUMBER 2-23419-6 LOCTITE TO THREADS OF ITEM 242.
- 4. CRIMP HEIGHT REFERENCE SETTING WAS THE SETTING USED WHEN THE APPLICATOR WAS QUALIFIED AT THE FACTORY. ADJUSTMENT MAY BE NECESSARY WHEN RUNNING APPLICATOR IN THE FIELD.
- 5. UNLESS SPECIFIED OTHERWISE TORQUE VALUES SHALL BE USED PER DOCUMENT, 101-35000.

***WARNING**
ON INSTALLATION, SET WIRE DISC TO CRIMP HEIGHT REFERENCE SETTING FOR LARGEST WIRE SIZE. CRIMP HEIGHT REFERENCE SETTINGS GREATER THAN THE VALUE SHOWN MAY CAUSE DAMAGE TO THE CRIMP TOOLING, REFER TO THE INSTRUCTION SHEET FOR PROPER SETUP AND ADJUSTMENTS.

ATLANTIC VERSION
Shown on sheets 1 of 4 & 2 of 4
(Pacific version shown on sheets 3 of 4 & 4 of 4)

LOC	DIST	REVISIONS			
		REV	DATE	BY	APPV
A	66	A	RELEASED	25APR2012	RW TE
		B	ECR-18-009847	25JUN2018	VLA CT

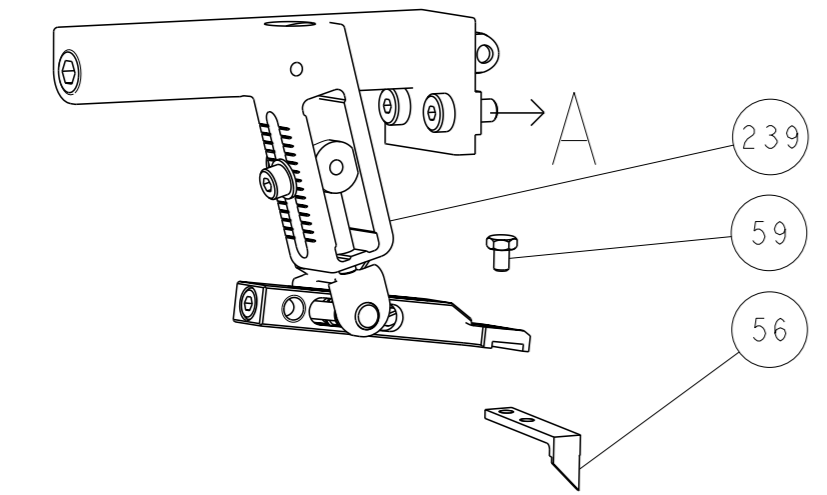
-	1	-	1	-	2119640-1	PUSH ROD, AIR FEED	250
-	1	-	1	-	1803259-1	BUSHING, FLANGED	249
-	1	-	1	-	2119641-1	FEED CAM, AIR FEED	248
-	1	1	1	1	2119082-9	CAM, SNAIL, INSULATION ADJUSTMENT	244
-	1	1	1	1	2079764-1	WASHER, WAVE SPRING, CREST-TO-CREST	243
-	1	1	1	1	2119083-1	RETAINER, INSULATION DIAL	242
-	1	1	1	1	18023-1	SCR, SKT HD CAP M3 X 5.0	241
-	-	1	-	1	2119580-1	MECHANICAL FEED ASSEMBLY	239
-	1	-	1	-	2063440-1	AIR FEED MODULE	238
-	2	-	2	-	21045-3	RING, RETAIN, EXTERN, 3/16 CRESCENT	172
-	REF	REF	REF	REF	994970-2	COUNTER, MAGNETIC	164
-	1	-	1	-	240638-1	SPRING, FEED FINGER	163
-	1	-	1	-	3-23627-7	PIN, RETAIN, GRVD, 3/16 X .854	137
-	1	-	1	-	2119799-1	HOLDER, FEED FINGER, AF	136
-	1	1	1	1	1-18028-2	WASHER, FLAT, REG M4	119
-	1	1	1	1	2844908-1	SCREW, LOCKING	99
-	1	1	1	1	2844907-1	POST, LOCKING	98
-	1	1	1	1	1-455888-2	SPACER, CRIMPER	82
-	1	1	1	1	1803607-1	DOCUMENTATION PACKAGE	71
-	1	1	1	1	2119740-1	TAG, IDENTIFICATION	67
-	2	2	2	2	2168078-1	SCREW, DRIVE, RH, RoHS, 2 x .188	66
-	1	1	1	1	2168083-2	SCR, SKT HD CAP, RoHS, M4 X 8.0	60
-	1	1	1	1	5-18022-5	SCR, HEX HD CAP, M4 X 6.0	59
-	1	1	1	1	1338685-1	PAWL, FEED	56
-	4	4	4	4	2168083-3	SCR, SKT HD CAP, RoHS, M4 X 12.0	54
-	2	2	2	2	1-2168083-0	SCR, SKT HD CAP, RoHS, M4 X 10	53
-	1	1	1	1	1803382-6	HOLD DOWN, SPRING LOADED	50
-	1	2	1	2	18023-9	SCR, SKT HD CAP M4 X 6.0	49
-	-	1	-	1	2119652-1	FEED CAM, PRE FEED	48
-	-	1	-	1	2119653-1	FEED CAM, POST FEED	47
-	1	1	1	1	1803583-9	APPLICATOR BASIC ASSEMBLY, SF	46
-	1	1	1	1	1803515-1	RAM ASSEMBLY, SF ATLANTIC	44
-	1	1	1	1	1803602-1	SCR, BHSC, RoHS (M8 X 25)	41
-	1	1	1	1	1752356-6	SUPPORT, TERMINAL	34
-	2	2	2	2	2079383-5	SCR, BHSC, RoHS (M4 X 20)	33
-	2	2	2	2	2-2844962-8	SPACER, CYLINDRICAL, STRIP GUIDE	30
-	1	1	1	1	2844992-1	ASSEMBLY, STRIP GUIDE	29
-	1	1	1	1	1-455888-0	SPACER, CRIMPER	28
-	1	1	1	1	1320928-2	STRIP GUIDE	24
-	1	1	1	1	2168083-2	SCR, SKT HD CAP, RoHS, M4 X 8.0	21
-	1	1	1	1	1-18028-2	WASHER, FLAT, REG M4	20
-	1	1	1	1	2119533-1	STRIPPER, SIDE FEED	19
-	1	1	1	1	2119806-1	INSERT, SHEAR	13
-	1	1	1	1	3-22280-3	SPRING, COMPRESSION	12
-	1	1	1	1	1-356885-4	STOP, SHEAR	11
-	1	1	1	1	2119805-1	SHEAR HOLDER, FRONT	10
-	1	1	1	1	454276-5	FLOATING SHEAR, FRONT	9
-	1	2	2	1	1633922-4	ANVIL, COMBINATION	8
-	-	-	-	-	-	-	7
-	-	-	-	-	-	-	6
-	1	1	1	1	2119757-8	DEPRESSOR, SHEAR	5
-	1	1	1	1	1-238011-7	BLOCK, CRIMPER SPACER	4
-	1	2	2	1	2-2119582-6	CRIMPER, INSULATION F PREMIUM	3
-	1	1	1	1	455888-5	SPACER, CRIMPER	2
-	1	2	2	1	2-456407-6	CRIMPER, WIRE PREMIUM	1

DIMENSIONS:		TOLERANCES UNLESS OTHERWISE SPECIFIED:		MATERIAL:	
mm	0 PLC ±	1 PLC ±	2 PLC ±	3 PLC ±	4 PLC ±
	ANGLES	FINISH			

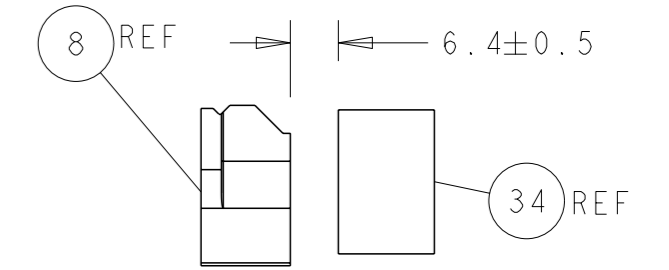
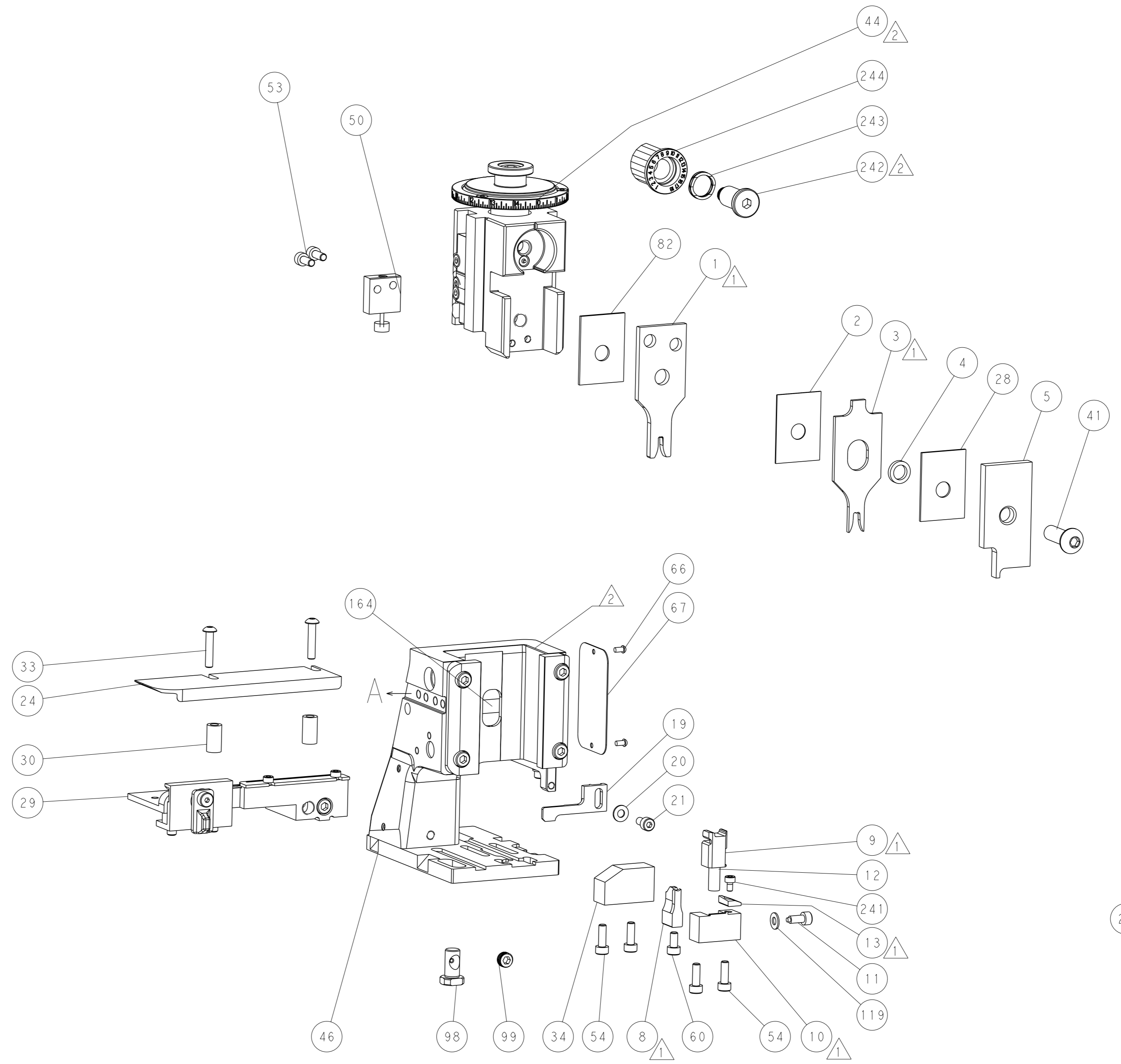
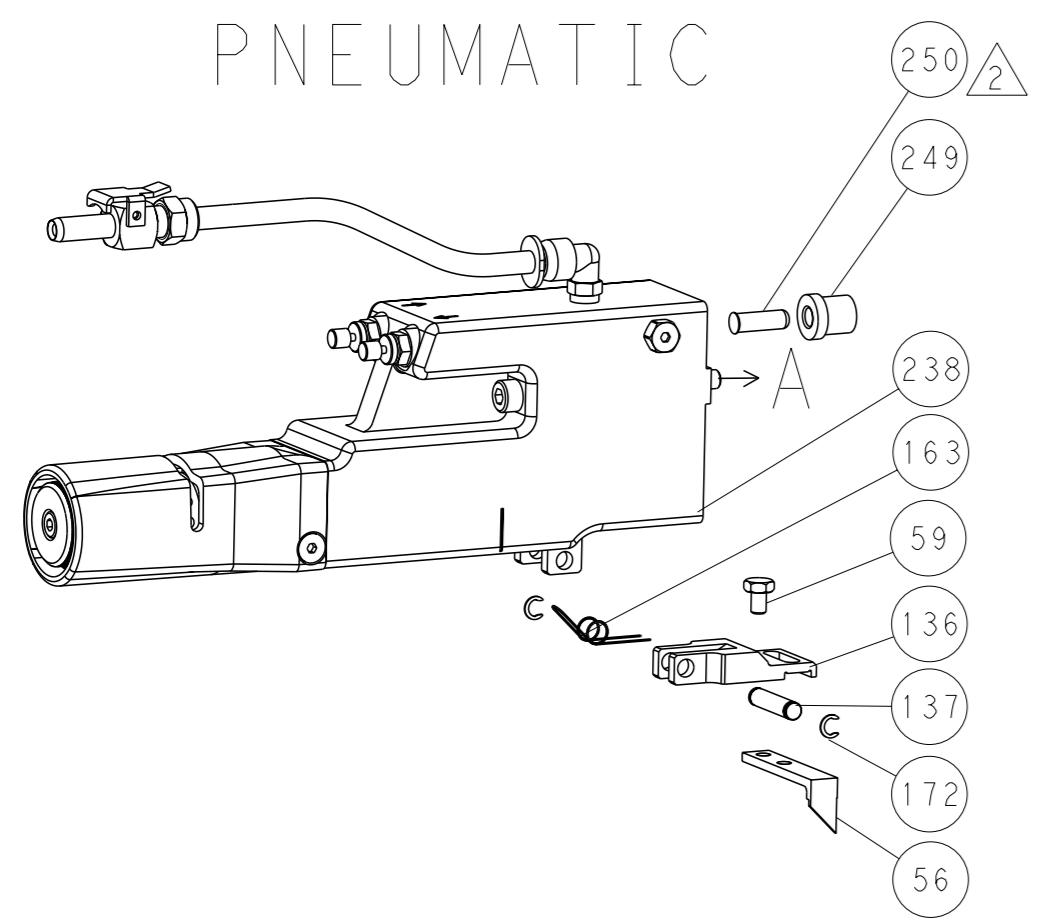
OWN	R. O. WILSON	09FEB2012
CHK	K. J. STAKEM	20FEB2012
APVD	T. L. ELBIN	21FEB2012
NAME	Ocean Side Feed Applicator	
SIZE	CAGE CODE	DRAWING NO
A1	00779	2151606
RESTRICTED CUSTOMER	SCALE	1:2
	SHEET	1 OF 4
	REV	B

LOC	DIST	REVISIONS					
A	66	P	LYR	DESCRIPTION	DATE	OWN	APVD
		-		SEE SHEET 1	-	-	-

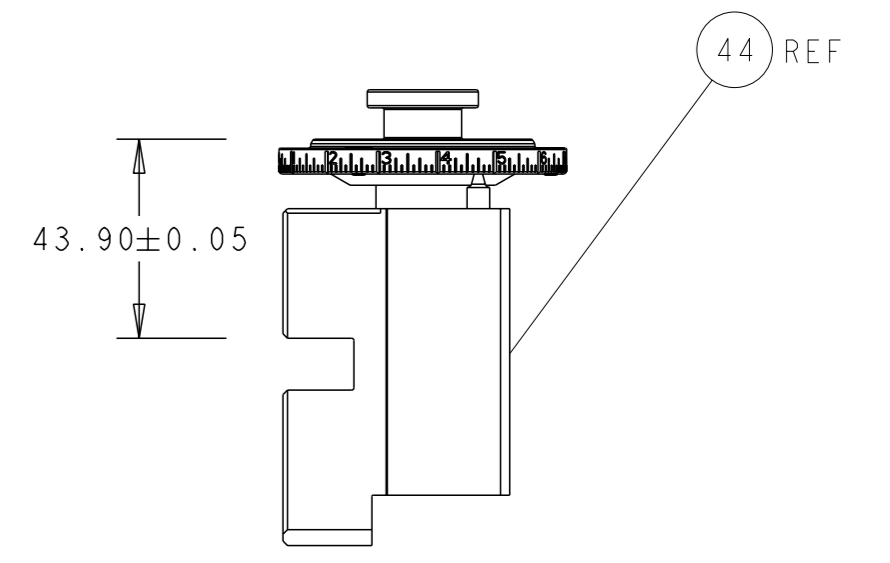
FEED TYPE MECHANICAL



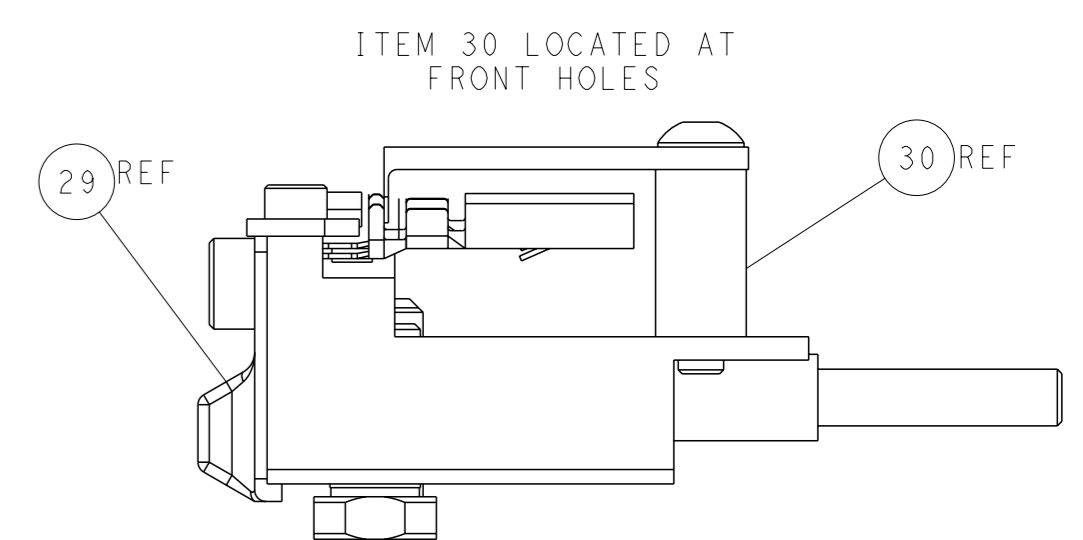
PNEUMATIC



TERMINAL SUPPORT LOCATION

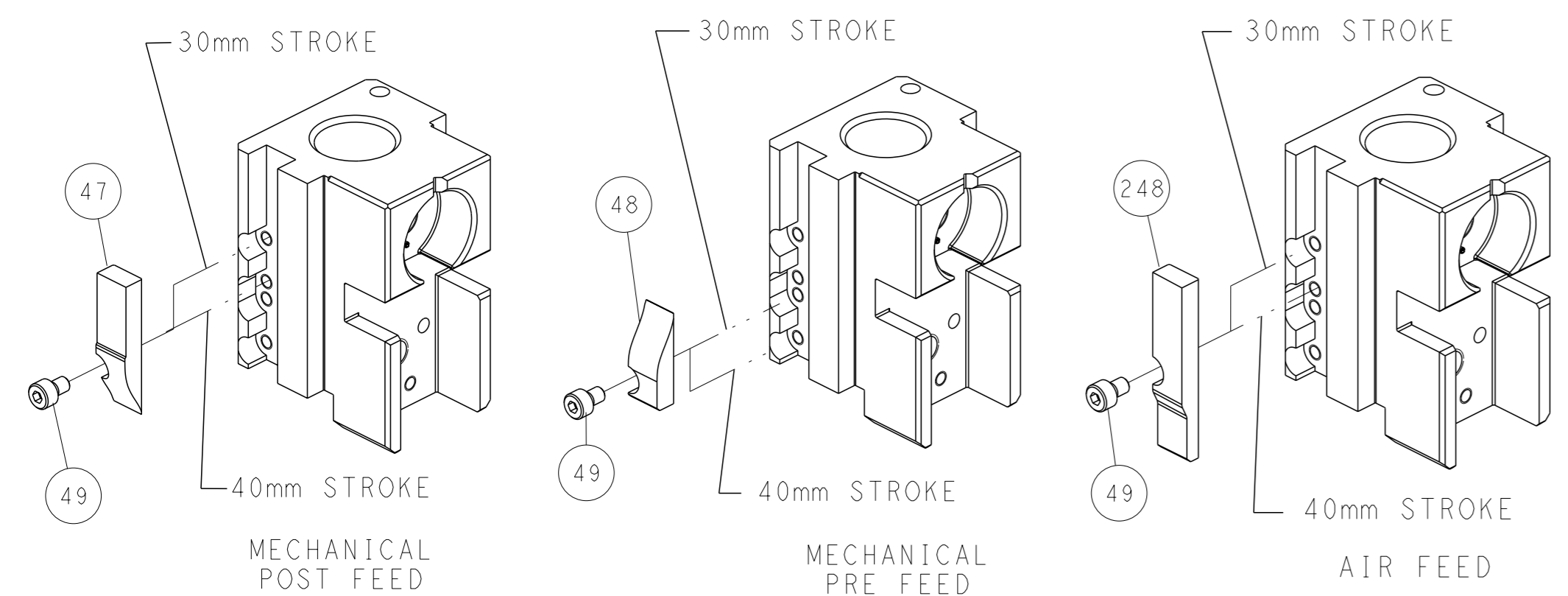


RAM SET-UP



FEED TRACK POSITION GUIDE BY INSULATION BARREL

CAM POSITIONS

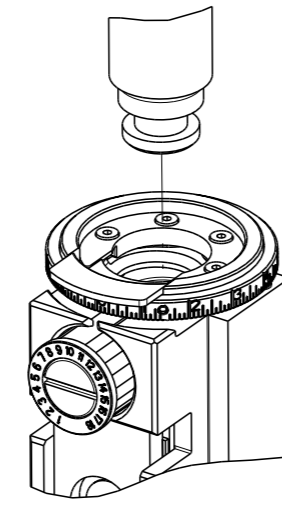


ATLANTIC VERSION
 Shown on sheets 1 of 4 & 2 of 4
 (Pacific version shown on sheets 3 of 4 & 4 of 4)

<small>THIS DRAWING IS A CONTROLLED DOCUMENT FOR TYCO ELECTRONICS CORPORATION. IT IS SUBJECT TO CHANGE AND TO CONTROLING ENGINEERING DISCRETION. SHOULD BE CONTACTED FOR THE LATEST REVISION.</small>		OWN: R. O. WILSON 09FEB2012 CHK: K. J. STAKEM 20FEB2012 APVD: J. L. ELBIN 21FEB2012	NAME: TE Connectivity Harrisburg, PA 17105-3608
DIMENSIONS: mm TOLERANCES UNLESS OTHERWISE SPECIFIED: 0 PLC ± 1 PLC ± 2 PLC ± 3 PLC ± 4 PLC ± ANGLES FINISH ±	MATERIAL:	PRODUCT SPEC: APPLICATION SPEC: WEIGHT:	SIZE: A1 CAGE CODE: 00779 DRAWING NO: C=2151606 RESTRICTED TO: RESTRICTED CUSTOMER
SCALE: 1:2		SHEET: 2 of 4	REV: B

THIS DRAWING IS UNPUBLISHED.	RELEASED FOR PUBLICATION		
BY TYCO ELECTRONICS CORPORATION. ALL RIGHTS RESERVED.	20		
COPYRIGHT 20			
PART NUMBER	REVISION	DESCRIPTION	FEED TYPE
2-2151606-1	B	FINE CRIMP HEIGHT ADJUST	MECHANICAL
2-2151606-2	B	FINE CRIMP HEIGHT ADJUST	PNEUMATIC
7-2151606-7	A	CRIMP TOOLING KIT	-

PACIFIC VERSION TERMINATOR
INTERFACE ADAPTER



APPLICATOR DATA		
CRIMP	SIZE	TYPE
WIRE	2.54 mm [.100]	F
INSUL	3.94 mm [.155]	F
APPLICATOR INSTRUCTIONS 408-35042		

TERMINAL DATA: TE TERMINAL		TE CRIMP SPECIFICATION	
TERMINAL NAME: PIN, .156 MATE-N-LOK			
WIRE STRIP LENGTH		INSULATION DIAMETER RANGE	
4.95-5.72mm [.195-.225 IN]		Ø3.18mm Max [.125 IN]	
TERMINAL APPLICATION SPECIFICATION	114-1109	-	-
TERMINALS APPLIED			
TE TERMINAL	TE TERMINAL	TE TERMINAL	TE TERMINAL
61086-1			

TERMINAL DATA: TE TERMINAL		TE CRIMP SPECIFICATION	
TERMINAL NAME: SOCKET, .156 MATE-N-LOK			
WIRE STRIP LENGTH		INSULATION DIAMETER RANGE	
4.95-5.72mm [.195-.225 IN]		Ø3.18mm Max [.125 IN]	
TERMINAL APPLICATION SPECIFICATION	114-1109	-	-
TERMINALS APPLIED			
TE TERMINAL	TE TERMINAL	TE TERMINAL	TE TERMINAL
61085-1			

WIRE SIZE	CRIMP HEIGHT mm [INCH]	CRIMP HEIGHT REFERENCE SETTING
14 AWG	1.96+/-0.05 [.077+/-0.002]	5.5
16 AWG	1.70+/-0.05 [.067+/-0.002]	8.5
18 AWG	1.55+/-0.05 [.061+/-0.002]	10.0
20 AWG	1.45+/-0.05 [.057+/-0.002]	11.1

WIRE SIZE	CRIMP HEIGHT WIRE CRIMP UNIT	CRIMP HEIGHT REFERENCE SETTING
14 AWG	1.96+/-0.05 [.077+/-0.002]	5.5
16 AWG	1.70+/-0.05 [.067+/-0.002]	8.5
18 AWG	1.55+/-0.05 [.061+/-0.002]	10.0
20 AWG	1.45+/-0.05 [.057+/-0.002]	11.1

- 1 RECOMMENDED SPARE PARTS
- 2 REFER TO SUPPLIED INSTRUCTION SHEET FOR CLEANING, LUBRICATION AND STORAGE OF APPLICATOR.
- 3 APPLY PART NUMBER 2-23419-6 LOCTITE TO THREADS OF ITEM 242.
- 4 CRIMP HEIGHT REFERENCE SETTING WAS THE SETTING USED WHEN THE APPLICATOR WAS QUALIFIED AT THE FACTORY. ADJUSTMENT MAY BE NECESSARY WHEN RUNNING APPLICATOR IN THE FIELD.
- 5. UNLESS SPECIFIED OTHERWISE TORQUE VALUES SHALL BE USED PER DOCUMENT, 101-35000.

***WARNING**
ON INSTALLATION, SET WIRE DISC TO CRIMP HEIGHT REFERENCE SETTING FOR LARGEST WIRE SIZE. CRIMP HEIGHT REFERENCE SETTINGS GREATER THAN THE VALUE SHOWN MAY CAUSE DAMAGE TO THE CRIMP TOOLING, REFER TO THE INSTRUCTION SHEET FOR PROPER SETUP AND ADJUSTMENTS.

PACIFIC VERSION
Shown on sheets 3 of 4 & 4 of 4
(Atlantic version shown on sheets 1 of 4 & 2 of 4)

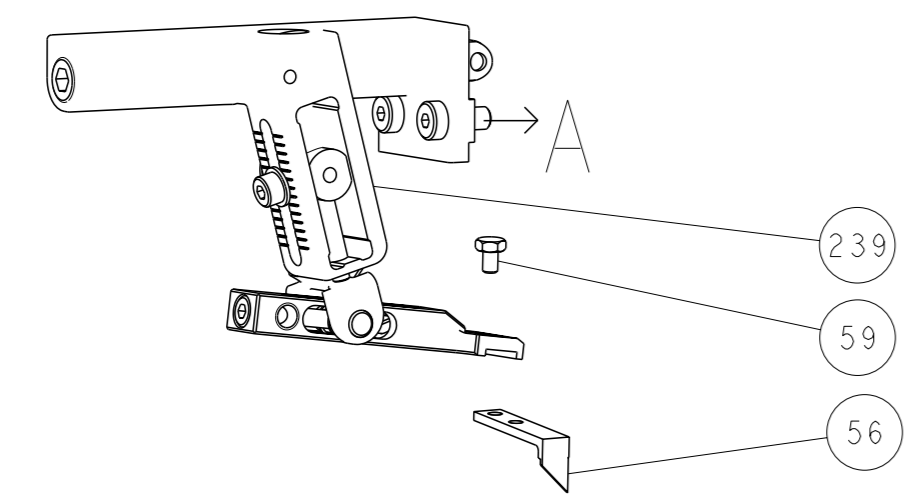
LOC	DIST	REV	DATE	BY	APPV
A	66				

REV	DATE	DESCRIPTION	ITEM NO
-	1	2119640-1 PUSH ROD, AIR FEED	250
-	1	1803259-1 BUSHING, FLANGED	249
-	1	2119082-9 CAM, SNAIL, INSULATION ADJUSTMENT	244
-	1	2079764-1 WASHER, WAVE SPRING, CREST-TO-CREST	243
-	1	18023-1 SCR, SKT HD CAP M3 X 5.0	241
-	1	2119083-1 RETAINER, INSULATION DIAL	242
-	1	2119580-1 MECHANICAL FEED ASSEMBLY	239
-	1	2063440-1 AIR FEED MODULE	238
-	2	21045-3 RING, RETAIN, EXTERN, 3/16 CRESCENT	172
-	REF	994970-2 COUNTER, MAGNETIC	164
-	1	240638-1 SPRING, FEED FINGER	163
-	1	2119641-2 FEED CAM, AIR FEED	151
-	1	2168083-8 SCR, SKT HD CAP, RoHS, M4 X 16	144
-	4	2168083-9 SCR, SKT HD CAP, RoHS, M4 X 20	143
-	1	2119653-2 FEED CAM, POST FEED	142
-	1	1-1803583-0 APPLICATOR BASIC ASSEMBLY, SF	141
-	1	1803516-1 RAM ASSEMBLY, SF PACIFIC	140
-	1	3-23627-7 PIN, RETAIN, GRVD, 3/16 X .854	137
-	1	2119799-1 HOLDER, FEED FINGER, AF	136
-	1	1-18028-2 WASHER, FLAT, REG M4	119
-	1	2844908-1 SCREW, LOCKING	99
-	1	2844907-1 POST, LOCKING	98
-	1	1-455888-2 SPACER, CRIMPER	82
-	1	1803607-1 DOCUMENTATION PACKAGE	71
-	1	2119740-1 TAG, IDENTIFICATION	67
-	2	2168078-1 SCREW, DRIVE, RH, RoHS, 2 x .188	66
-	1	5-18022-5 SCR, HEX HD CAP, M4 X 6.0	59
-	1	1338685-1 PAWL, FEED	56
-	2	1-2168083-0 SCR, SKT HD CAP, RoHS, M4 X 10	53
-	1	1803382-6 HOLD DOWN, SPRING LOADED	50
-	1	18023-9 SCR, SKT HD CAP M4 X 6.0	49
-	1	2119652-1 FEED CAM, PRE FEED	48
-	1	1803602-1 SCR, BHSC, RoHS (M8 X 25)	41
-	1	1752356-6 SUPPORT, TERMINAL	34
-	2	2079383-5 SCR, BHSC, RoHS (M4 X 20)	33
-	2	2-2844962-8 SPACER, CYLINDRICAL, STRIP GUIDE	30
-	1	2844992-1 ASSEMBLY, STRIP GUIDE	29
-	1	1-455888-0 SPACER, CRIMPER	28
-	1	1320928-2 STRIP GUIDE	24
-	1	2168083-2 SCR, SKT HD CAP, RoHS, M4 X 8.0	21
-	1	1-18028-2 WASHER, FLAT, REG M4	20
-	1	2119533-1 STRIPPER, SIDE FEED	19
-	1	2119806-1 INSERT, SHEAR	13
-	1	3-22280-3 SPRING, COMPRESSION	12
-	1	1-356885-4 STOP, SHEAR	11
-	1	2119805-1 SHEAR HOLDER, FRONT	10
-	1	454276-5 FLOATING SHEAR, FRONT	9
1	1	1633922-4 ANVIL, COMBINATION	8
-	-	-	7
-	-	-	6
-	1	2119757-8 DEPRESSOR, SHEAR	5
-	1	1-238011-7 BLOCK, CRIMPER SPACER	4
1	1	2-2119582-6 CRIMPER, INSULATION F PREMIUM	3
-	1	455888-5 SPACER, CRIMPER	2
1	1	2-456407-6 CRIMPER, WIRE PREMIUM	1

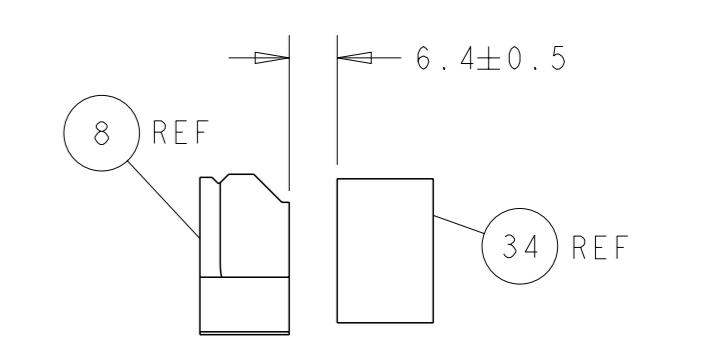
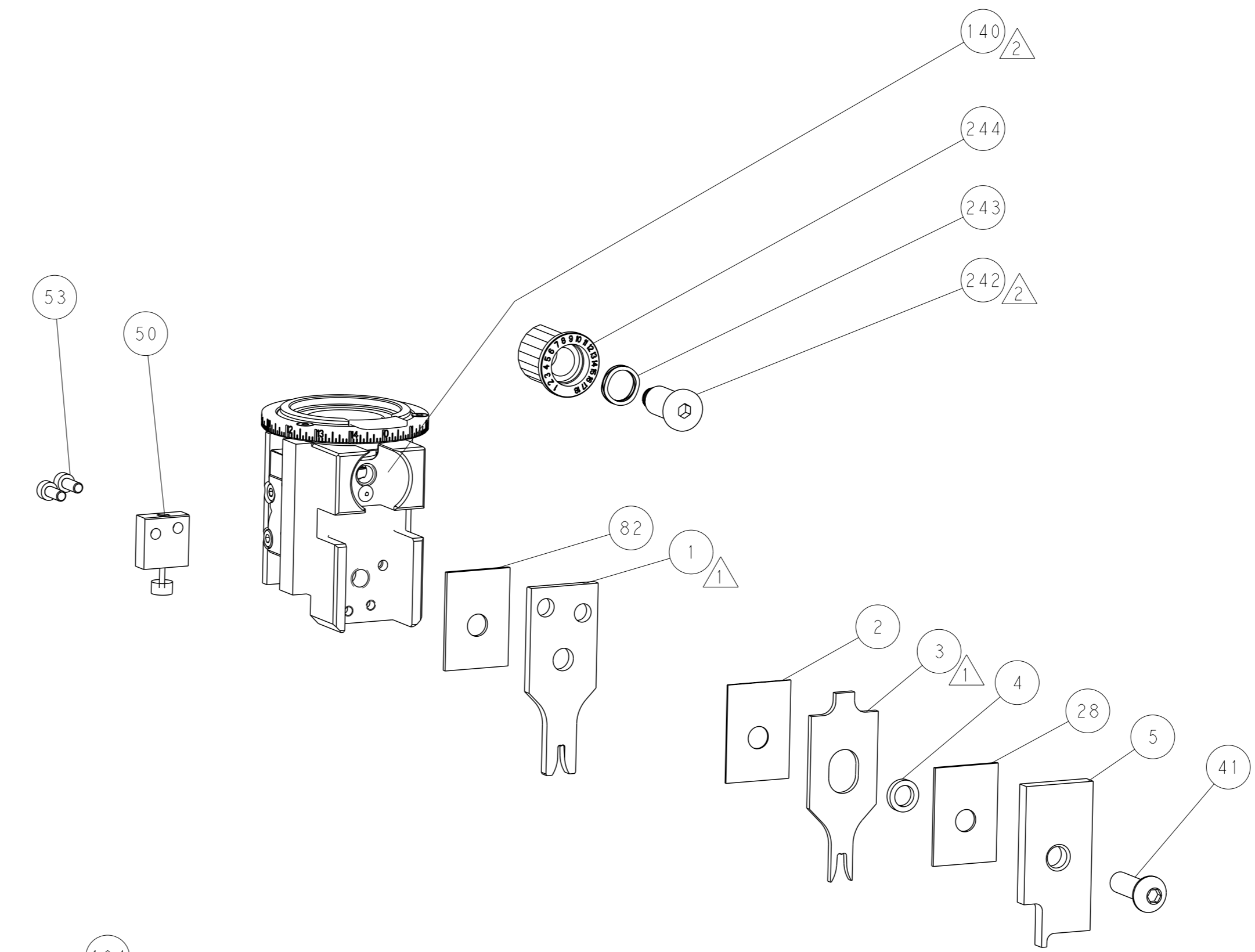
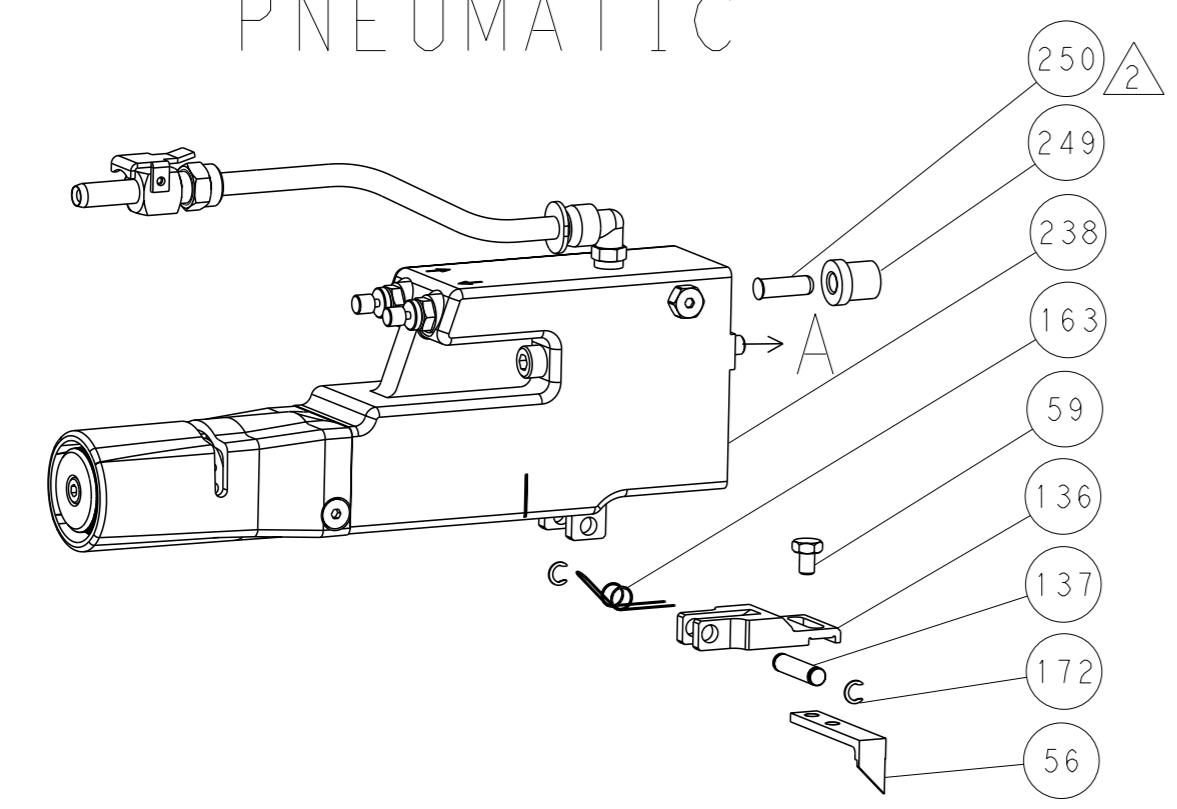
DIMENSIONS: mm 		TOLERANCES UNLESS OTHERWISE SPECIFIED: 0 PLC ± 1 PLC ± 2 PLC ± 3 PLC ± 4 PLC ± ANGLES FINISH ±		OWN R. O. WILSON 09FEB2012 CHK K. J. STAKEM 20FEB2012 APVD T. L. ELBIN 21FEB2012	NAME STE TE Connectivity Harrisburg, PA 17105-3608 Ocean Side Feed Applicator
MATERIAL		WEIGHT		RESTRICTED CUSTOMER	RESTRICTED TO
				SCALE 1:2	SHEET 3 OF 4

LOC		DIST		REVISIONS			
A	66	P	LYR	DESCRIPTION	DATE	OWN	APVD
		-		SEE SHEET 1	-	-	-

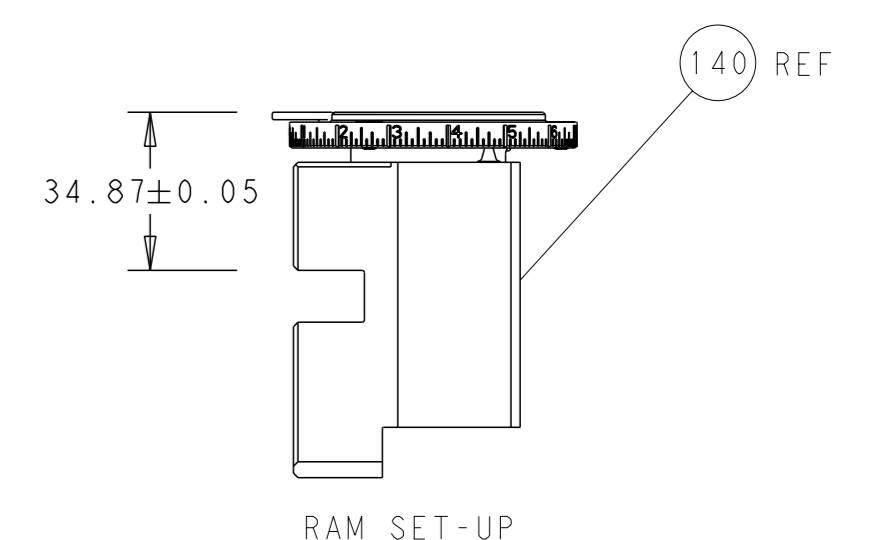
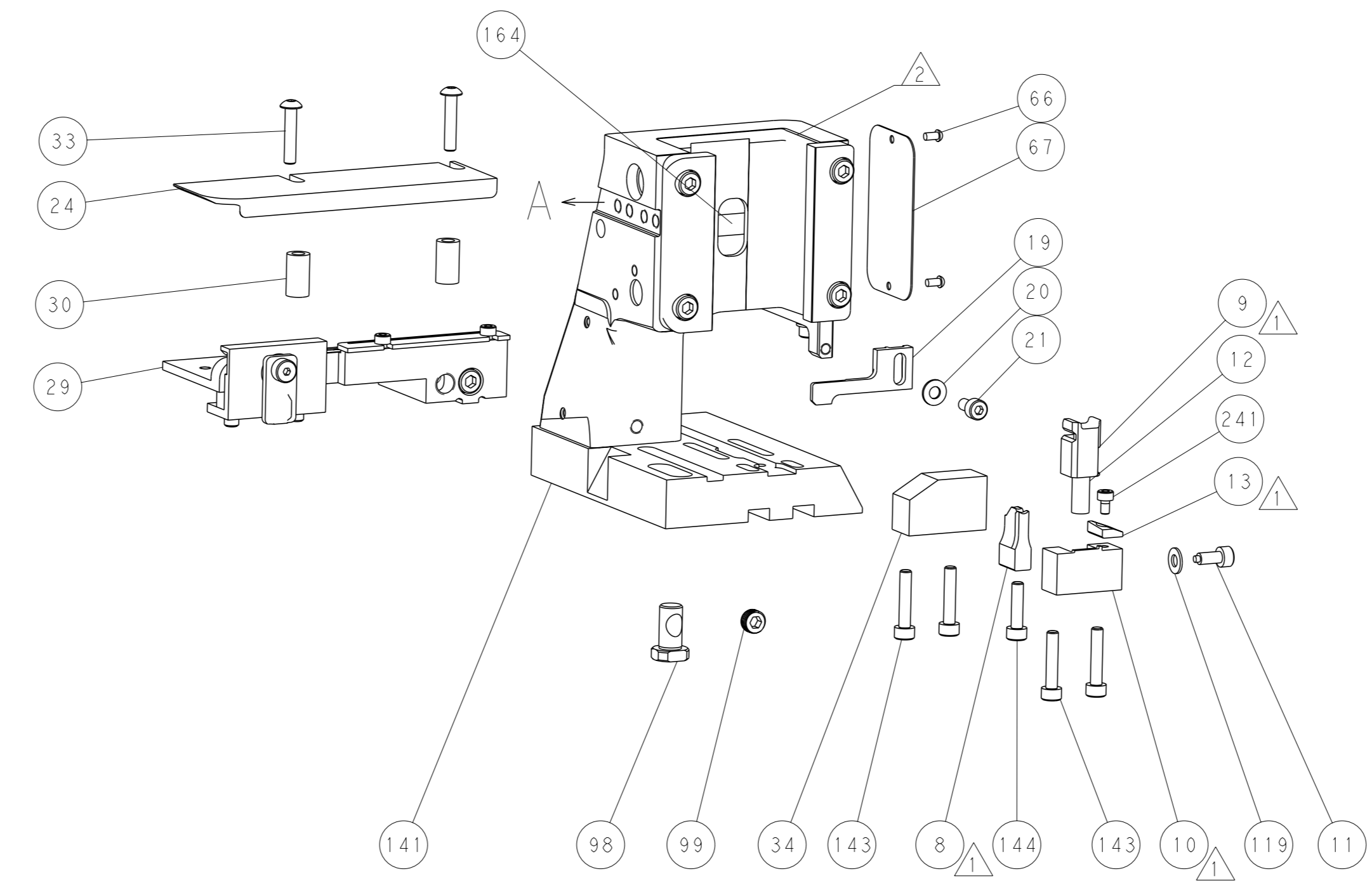
FEED TYPE MECHANICAL



PNEUMATIC

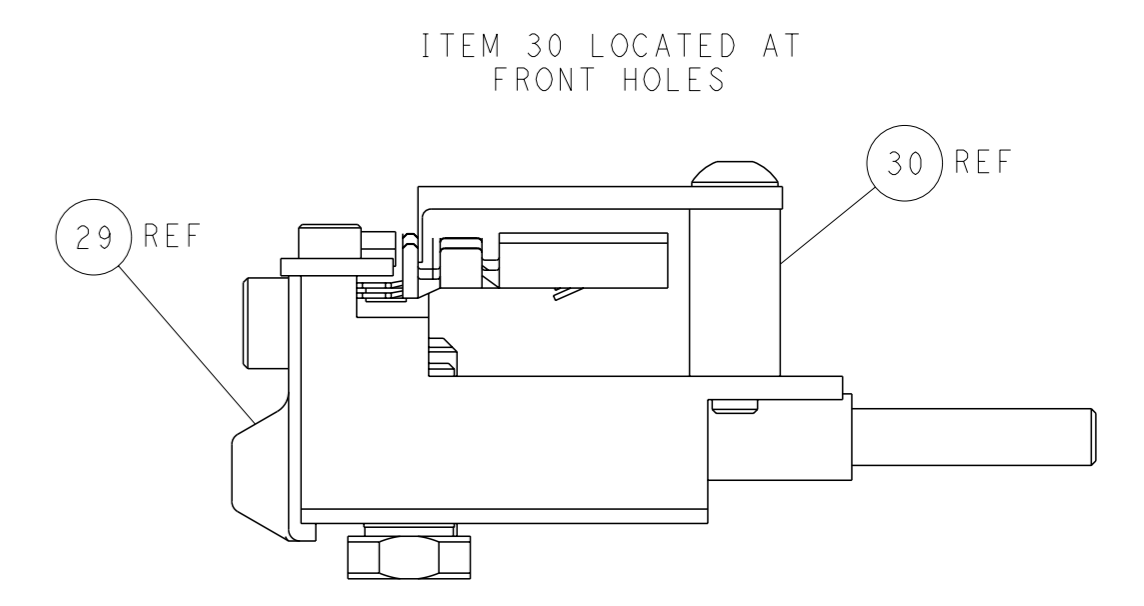
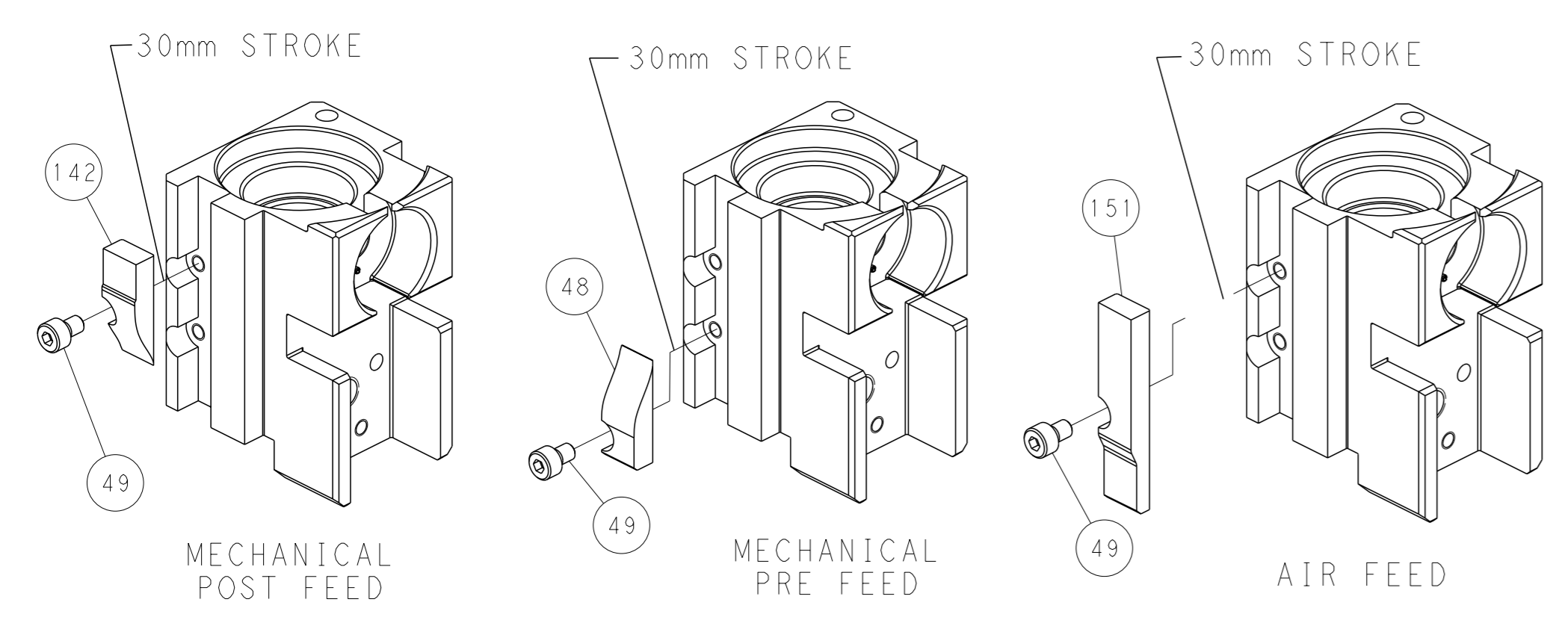


TERMINAL SUPPORT LOCATION



RAM SET-UP

CAM POSITIONS



FEED TRACK POSITION GUIDE BY INSULATION BARREL

PACIFIC VERSION
 Shown on sheets 3 of 4 & 4 of 4
 (Atlantic version shown on sheets 1 of 4 & 2 of 4)

<small>THIS DRAWING IS A CONTROLLED DOCUMENT FOR TYCO ELECTRONICS CORPORATION. IT IS SUBJECT TO CHANGE AND TO CONTROLING ENGINEERING DISCRETION. SHOULD BE CONTACTED FOR THE LATEST REVISION.</small>		OWN: R. O. WILSON 09FEB2012 CHK: K. J. STAKEM 20FEB2012 APVD: J. L. ELBIN 21FEB2012	NAME: TE Connectivity Harrisburg, PA 17105-3608
DIMENSIONS: mm TOLERANCES UNLESS OTHERWISE SPECIFIED: 0 PLC ± 1 PLC ± 2 PLC ± 3 PLC ± 4 PLC ± ANGLES FINISH ±	APPLICATION SPEC: - WEIGHT: - RESTRICTED CUSTOMER: -	SIZE: A1 CAGE CODE: 00779 DRAWING NO: C=2151606	RESTRICTED TO: - SCALE: 1:2 SHEET: 4 of 4 REV: B