

**LEVER BODY**

Glass-fibre reinforced polyamide based (PA) technopolymer, grey-black colour, matte finish. Red writing "PUSH" tampoprinted on the lever body (avoid contact with solvents, alcohol or detergents containing alcohol).

**STANDARD EXECUTIONS**

Glass-fibre reinforced technopolymer clamping element, black colour, with knurling on the protruding part to make initial tightening easier. AISI 302 stainless steel return spring.

- **ERS-A:** black-oxide steel boss, threaded blind hole.
  - **ERS-B:** brass boss, threaded blind hole.
  - **ERS-p:** black-oxide steel threaded stud, chamfered flat end
- UNI 947 : ISO 4753 (see Technical data on page A-10).

**STRESS RESISTANCE**

See ERX, page 324.

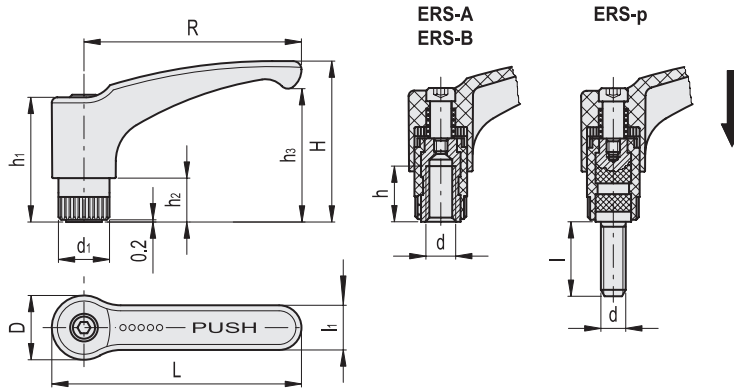
**INSTRUCTIONS OF USE**

For clamping, push the lever to engage the clamping device toothing and turn it. By releasing the lever, the return spring automatically disengages the toothing and the lever returns to its rest position.

In case of accidental shocks, the lever turns freely without affecting the clamping action.



ERGOSTYLE® ELESA Original design



| Conversion Table  |      |
|-------------------|------|
| 1 mm = 0.039 inch |      |
| R                 |      |
| mm                | inch |
| 44                | 1.73 |
| 63                | 2.48 |

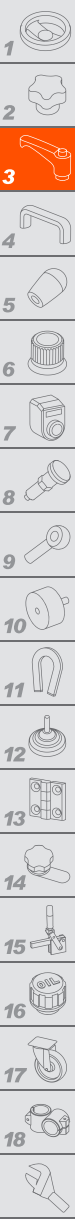
**ERS-A  
ERS-B**

**METRIC**

| Code   | Description | R  | d6H | L    | D  | H  | h  | h1 | h2 | h3 | d1 | l1   | Teeth no. | ⚖  |
|--------|-------------|----|-----|------|----|----|----|----|----|----|----|------|-----------|----|
| 236902 | ERS.44 A-M4 | 44 | M4  | 52   | 16 | 36 | 10 | 29 | 9  | 28 | 12 | 11   | 18        | 14 |
| 236903 | ERS.44 A-M5 | 44 | M5  | 52   | 16 | 36 | 10 | 29 | 9  | 28 | 12 | 11   | 18        | 13 |
| 236904 | ERS.44 A-M6 | 44 | M6  | 52   | 16 | 36 | 10 | 29 | 9  | 28 | 12 | 11   | 18        | 12 |
| 236913 | ERS.63 A-M6 | 63 | M6  | 72.5 | 19 | 48 | 13 | 37 | 12 | 37 | 15 | 13.5 | 20        | 25 |
| 236914 | ERS.63 A-M8 | 63 | M8  | 72.5 | 19 | 48 | 13 | 37 | 12 | 37 | 15 | 13.5 | 20        | 24 |
| 236935 | ERS.63 B-M8 | 63 | M8  | 72.5 | 19 | 48 | 13 | 37 | 12 | 37 | 15 | 13.5 | 20        | 24 |

**ERS-p**

| Code   | Description    | R  | d6g | L    | D  | H  | h1 | h2 | h3 | d1 | l  | l1   | Teeth no. | ⚖  |
|--------|----------------|----|-----|------|----|----|----|----|----|----|----|------|-----------|----|
| 236972 | ERS.44 p-M6x16 | 44 | M6  | 52   | 16 | 36 | 29 | 9  | 28 | 12 | 16 | 11   | 18        | 18 |
| 236974 | ERS.44 p-M6x25 | 44 | M6  | 52   | 16 | 36 | 29 | 9  | 28 | 12 | 25 | 11   | 18        | 21 |
| 237003 | ERS.63 p-M8x20 | 63 | M8  | 72.5 | 19 | 48 | 37 | 12 | 37 | 15 | 20 | 13.5 | 20        | 38 |
| 237005 | ERS.63 p-M8x30 | 63 | M8  | 72.5 | 19 | 48 | 37 | 12 | 37 | 15 | 30 | 13.5 | 20        | 43 |



Clamping levers