

PLEASE CHECK WWW.MOLEX.COM FOR LATEST PART INFORMATION

Part Number: [0352700410](#)
Status: **Active**
Description: 6.00mm Tab Wire-to-Wire Receptacle Housing, Secondary Lock, 4 Circuits

Documents:

[Drawing \(PDF\)](#) [Packaging Specification PK-35270-001 \(PDF\)](#)
[Product Specification PS-35270-001 \(PDF\)](#) [RoHS Certificate of Compliance \(PDF\)](#)

General

Product Family Crimp Housings
 Series [35270](#)
 Application Power, Wire-to-Wire
 Product Name N/A
 UPC 756054264027

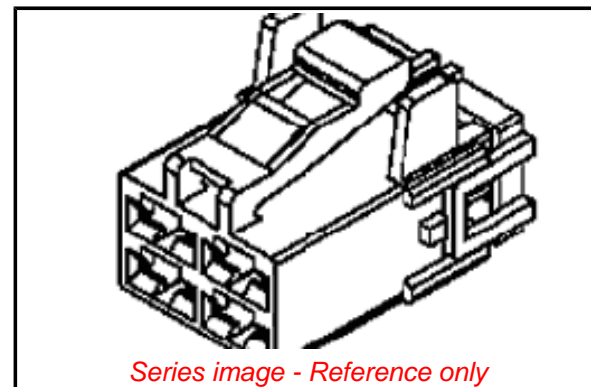
Physical

Circuits (maximum) 4
 Color - Resin Natural
 Gender Female
 Glow-Wire Compliant No
 Material - Resin Polyester
 Net Weight 4.003/g
 Number of Rows 2
 Packaging Type Bag
 Panel Mount No
 Pitch - Mating Interface 9.00mm
 Pitch - Termination Interface 9.00mm
 Stackable No
 Temperature Range - Operating -40°C to +80°C

Material Info

Reference - Drawing Numbers

Packaging Specification [PK-35270-001](#)
 Product Specification [PS-35270-001](#)



EU ELV

Compliant

EU RoHS

Compliant

REACH SVHC

Contains SVHC(2015
 June 15): No

Halogen-Free

Status

Not Relevant

**Need more information on product
 environmental compliance?**

Email productcompliance@molex.com
 Please visit the [Contact Us](#) section for any
 non-product compliance questions.

China ROHS

ELV

Not Relevant

Compliant

Search Parts in this Series

[35270](#) Series

Mates With

[35272](#)

Use With

[35427](#) , [35430](#)