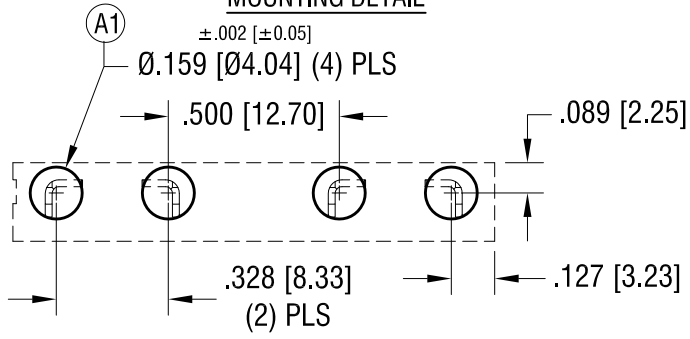
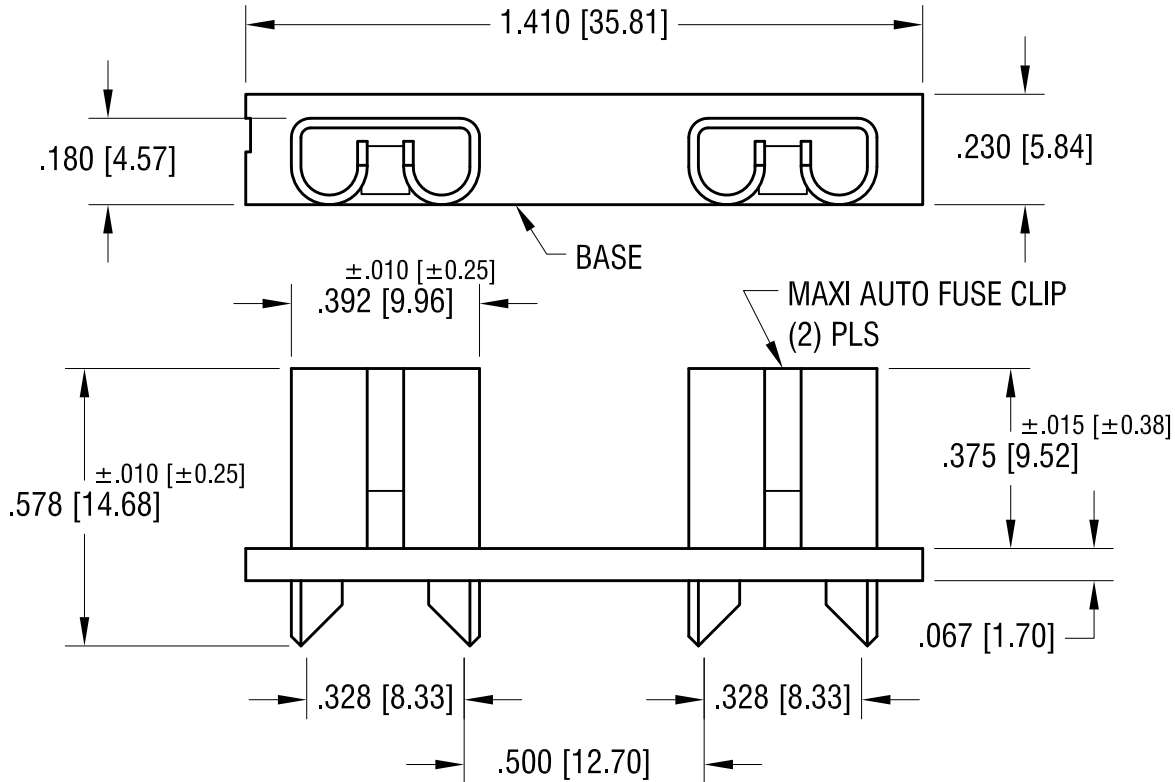
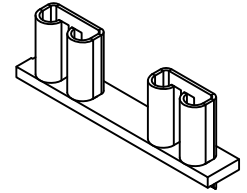


THIS DOCUMENT IS THE PROPERTY OF
KEYSTONE ELECTRONICS CORP. AND
SHALL NOT BE REPRODUCED, DISTRIBUTED
OR USED AS A BASIS FOR MANUFACTURE
WITHOUT PRIOR WRITTEN PERMISSION
FROM KEYSTONE ELECTRONICS CORP.

MOUNTING DETAIL



ACTUAL SIZE



NOTE:

CLIP: .020 [0.50] TH'K COPPER, TIN NICKEL PLATE
BASE: MAT'L: GLASS FILLED NYLON, UL 94V-0

9.25.18	MTG HOLE A1 WAS Ø.152 [3.86] CHANGE AS PER ECN 18-037	A
DATE	DESCRIPTION	REV.

KEYSTONE ELECTRONICS CORP.			
www.keyelco.com • NEW HYDE PARK, NY 11040 • Tel (516) 328-7500			
PART NAME MAXI PC AUTO-FUSE SOCKET			
MATERIAL AS NOTED			
FINISH AS NOTED		DRN BY BOONE	DATE 10.24.06
		APP'D LN	SCALE 2.5X
TOLERANCES INCH [MM]	CODE	DWG NO.	
DECIMAL ±.005 [±0.13]	C	3555-2	
ANGULAR ± 1°			
UNLESS OTHERWISE SPECIFIED			