

Couplers

1.7-26.5 GHz

2.92 mm Connectors Ultra-Broadband Couplers

- Low Return Loss
- Excellent Flatness
- Superior Directivity
- Designed for MIL Environments



Specifications

2.92 mm (F), 6 to 26.5 GHz, 20 W

FREQUENCY RANGE (GHz)	MODEL	COUPLING (dB)	DIRECTIVITY (dB min.)	INSERTION LOSS (dB)		VSWR		FREQUENCY SENSITIVITY (dB max.)	POWER		WEIGHT (max.)	
				EXCLUDING COUPLED POWER	TRUE	PRIMARY LINE (max.)	SECONDARY LINE (max.)		AVERAGE (W)	PEAK (kW)	oz.	gr.
6-26.5	4247B-10	10 ±1	12	0.9	1.5	1.5	1.5	±0.75	20	0.2	1.0	28
6-26.5	4247-20	20 ±1*	13	0.7	0.8	1.45	1.45	±0.8	20	0.2	1.0	28

2.92 mm (F), 18 to 26.5 GHz, 30 W

FREQUENCY RANGE (GHz)	MODEL	COUPLING (dB)	DIRECTIVITY (dB min.)	INSERTION LOSS (dB)		VSWR		FREQUENCY SENSITIVITY (dB max.)	POWER		WEIGHT (max.)	
				EXCLUDING COUPLED POWER	TRUE	PRIMARY LINE (max.)	SECONDARY LINE (max.)		AVERAGE (W)	PEAK (kW)	oz.	gr.
18-26.5	4017C-10	10 ±1	12	0.9	1.5	1.5	1.5	±0.75	30	0.2	1.0	28
18-26.5	4017-20	20 ±1*	13	0.7	0.8	1.45	1.45	±0.8	30	0.2	1.0	28

2.92 mm (F), 1.7 to 26.5 GHz, 20 W

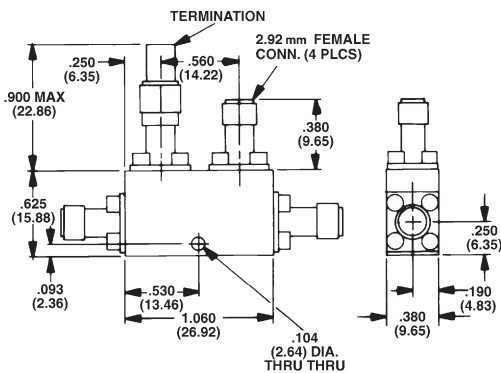
FREQUENCY RANGE (GHz)	MODEL	COUPLING** (dB)	BAND SEGMENTS (GHz)	DIRECTIVITY (dB)	INSERTION LOSS (dB)		VSWR		FREQUENCY SENSITIVITY** (dB max.)	POWER		WEIGHT (max.)	
					EXCLUDING COUPLED POWER	TRUE	PRIMARY LINE (max.)	SECONDARY LINE (max.)		AVERAGE (W)	PEAK (kW)	oz.	gr.
1.7-26.5	4227-16	16 ±1*	1.7-12.4	15	0.6	0.7	1.45	1.45	±1.0 †	20	0.2	1.9	54
			12.4-18.0	12	0.8	0.9							
			18.0-26.5	12	1.2	1.3							

* Coupling is average value

** Referenced to output port

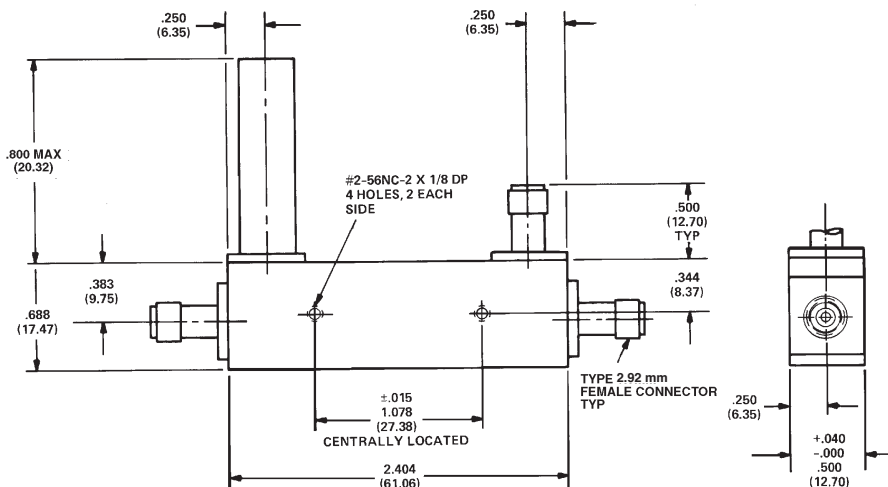
† Frequency sensitivity within 2-18 GHz band is ±0.5 dB

Outline Drawings



Allow .020 max. build-up of sealant per surface.

MODELS 4247B, 4247, 4017, 4017C



Allow .020 max. build-up of sealant per surface.

MODEL 4227-16

Dimensions in inches (mm in parentheses), unless otherwise specified.

