

**MATERIAL AND FINISH:**  
 Insulator: Polycarbonate,  
 UL-94V-0 rated, color black  
 Contacts: Copper, Tin plated

**RoHS  
 COMPLIANT**

**ELECTRICAL SPECIFICATIONS:**

Current rating: 10 A  
 Voltage rating: 250 VAC  
 Insulation resistance: 100 Mohm  
 min. at 500 VDC  
 Dielectric withstanding voltage:  
 2000 VAC for one minute

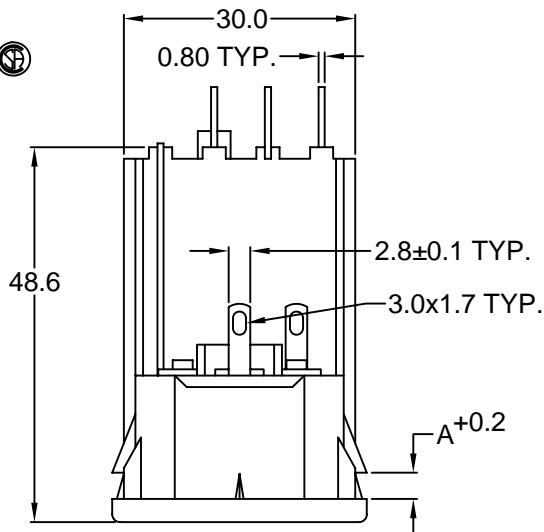
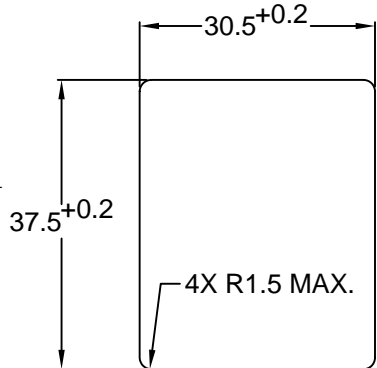
**ORDERING CODE:**

42R42-3    2    -        
           1    2    3

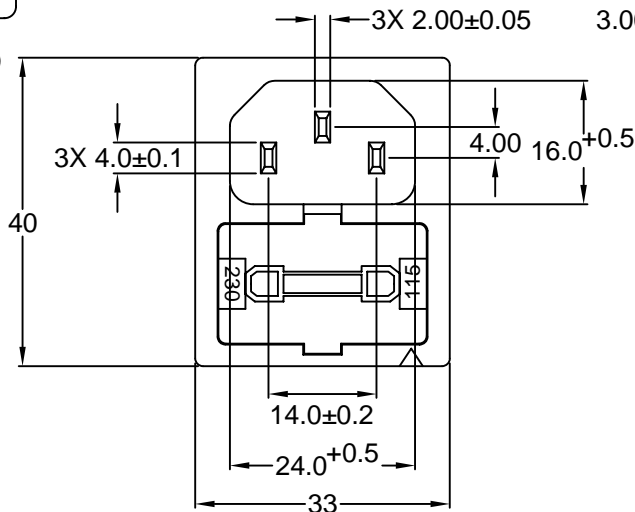
- 1) COLOR  
 1 = BLACK  
 2 = GRAY
- 2) ELECTRICAL CIRCUIT  
 CONFIGURATION

- 1 = 10A 250V 70°C  
 2+GROUND, 1 FUSE
- 2 = 10A 250V 70°C  
 2+GROUND, 2 FUSE
- 3 = 10A 250V 120°C  
 2+GROUND, 1 FUSE
- 4 = 10A 250V 120°C  
 2+GROUND, 2 FUSE
- 5 = 10A 250V 70°C  
 2 POLE, 1 FUSE
- 6 = 10A 250V 70°C  
 2 POLE, 2 FUSE

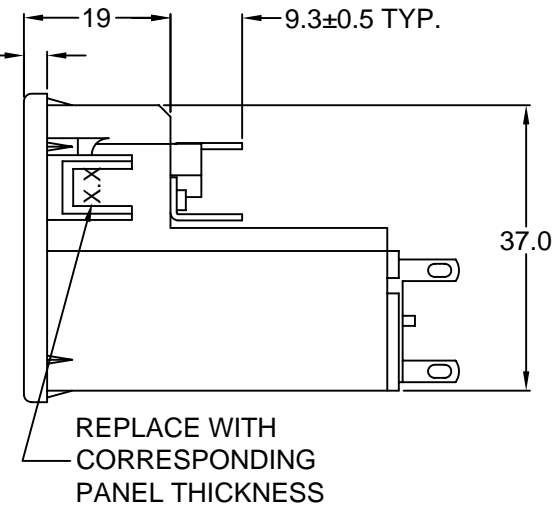
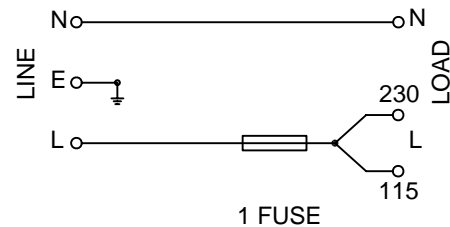
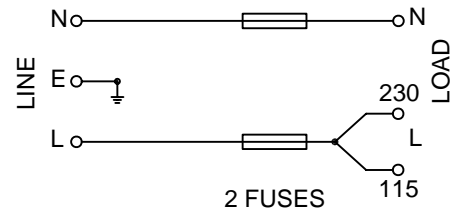
3) PANEL THICKNESS



**RECOMMENDED  
 PANEL CUTOUT**



**SCHEMATICS**



REVISIONS	CHANGE	CHNG	CHK	APPR
	DATE	BY	DATE	BY

P/N	A	MAX. PANEL THICKNESS
42R42-3X2X-150	1.5	1.5
42R42-3X2X-200	2.0	2.0
42R42-3X2X-250	2.5	2.5

ADDITIONAL PANEL THICKNESS  
 AVAILABLE ON REQUEST

TOLERANCE  
 UNLESS OTHERWISE SPECIFIED  
 X ± 1  
 X.X ± 0.4  
 X.XX ± 0.20

DRAWN BY	GQ	DATE:	09/28/01
CHECK BY	TD	DATE:	10/04/01
APPR BY	PB	DATE:	10/04/01

**Power Dynamics, Inc.**

Phone: 973 560-0019 Whippany, New Jersey Fax: 973 560-0076

PART: IEC 60320 APPL. INLET, VOLTAGE SELECTOR  
 FUSE HOLDER; SOLDER TERMINALS; SNAP-IN

PART #: <b>42R42-3X2X-XXX</b>		SHEET 1 of 1
SIZE: A	SCALE: NTS	ALL DIMENSIONS FOR REFERENCE ONLY DIMENSIONS ARE IN MILLIMETERS
REV:		