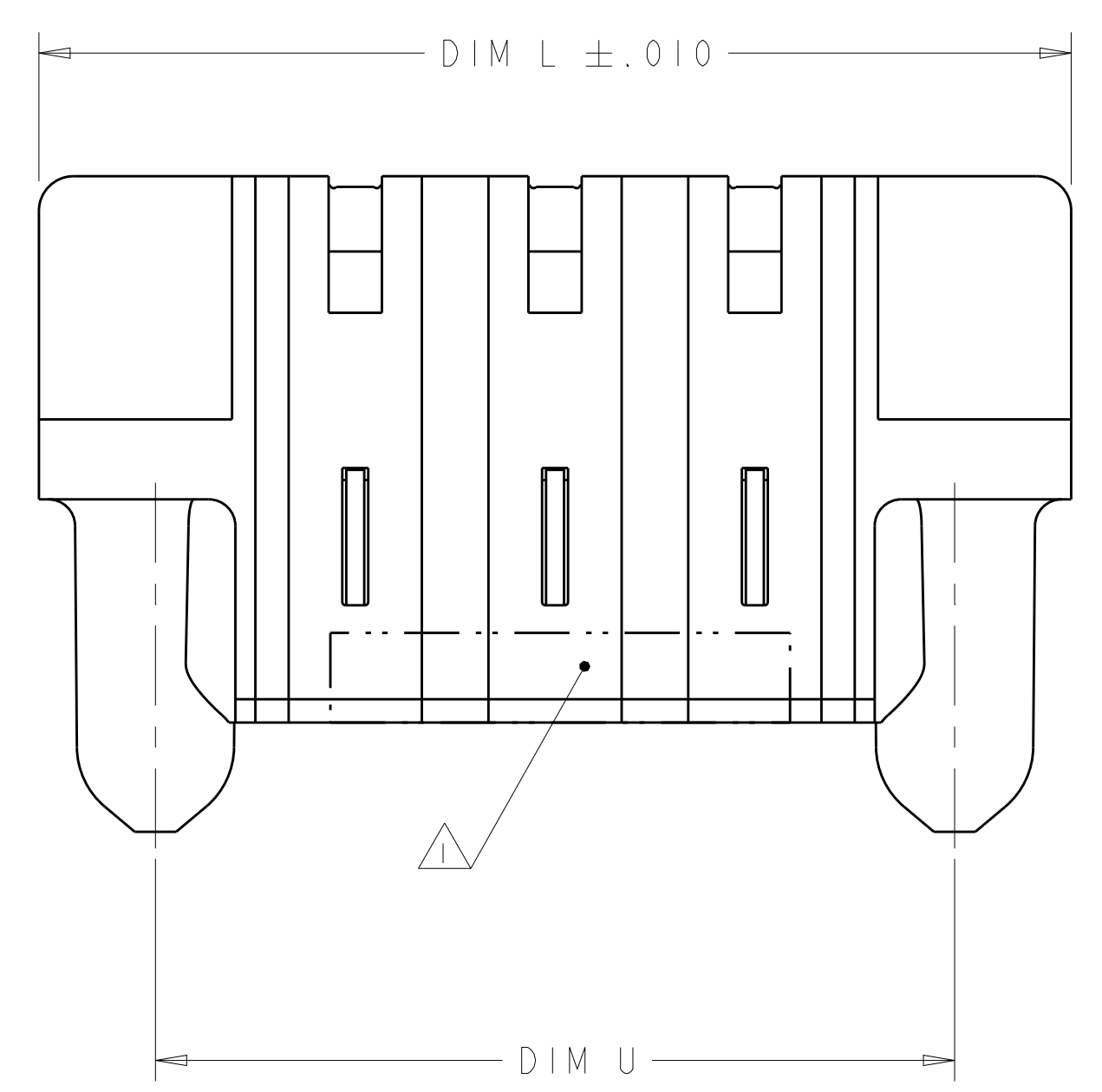
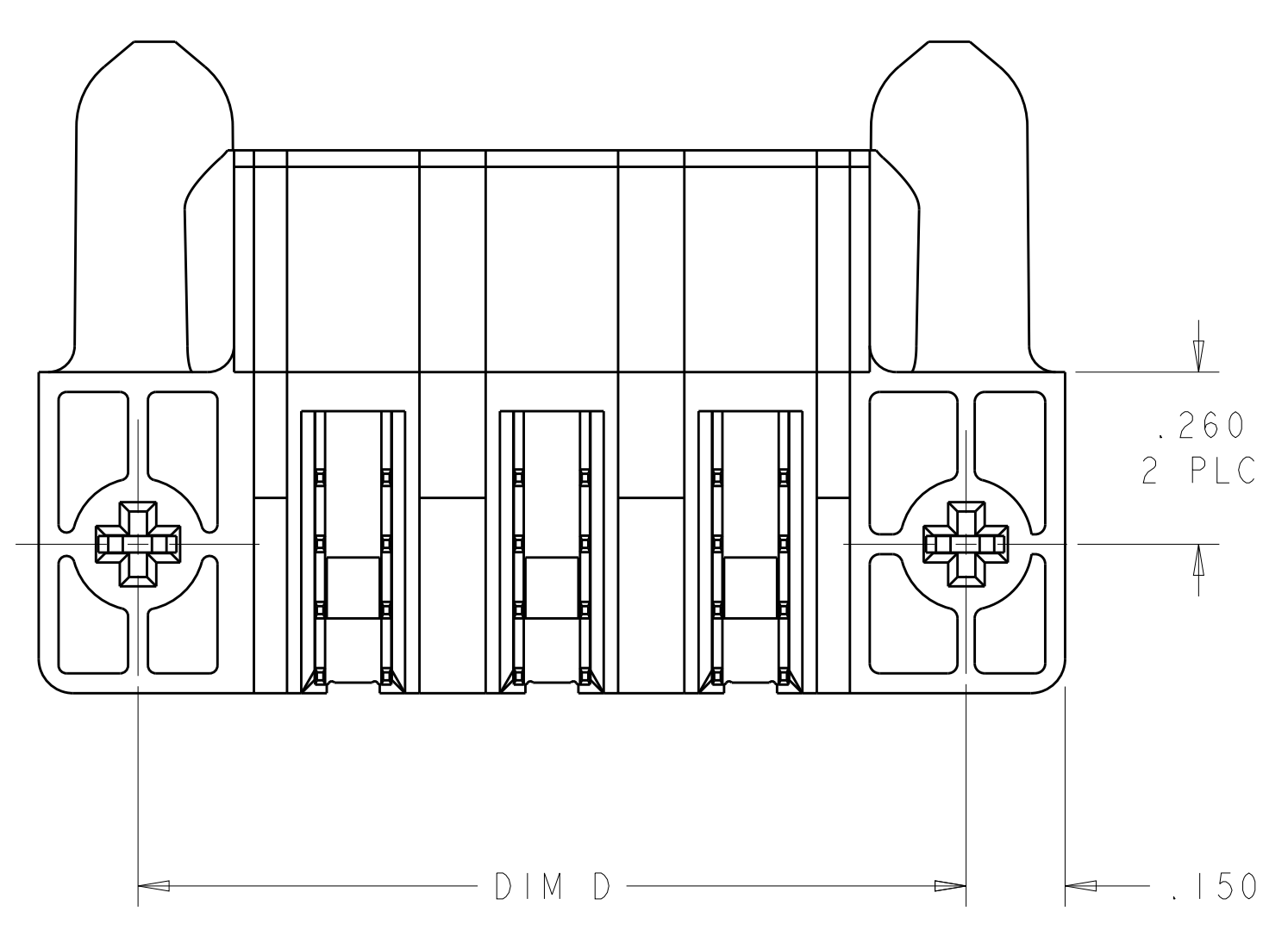
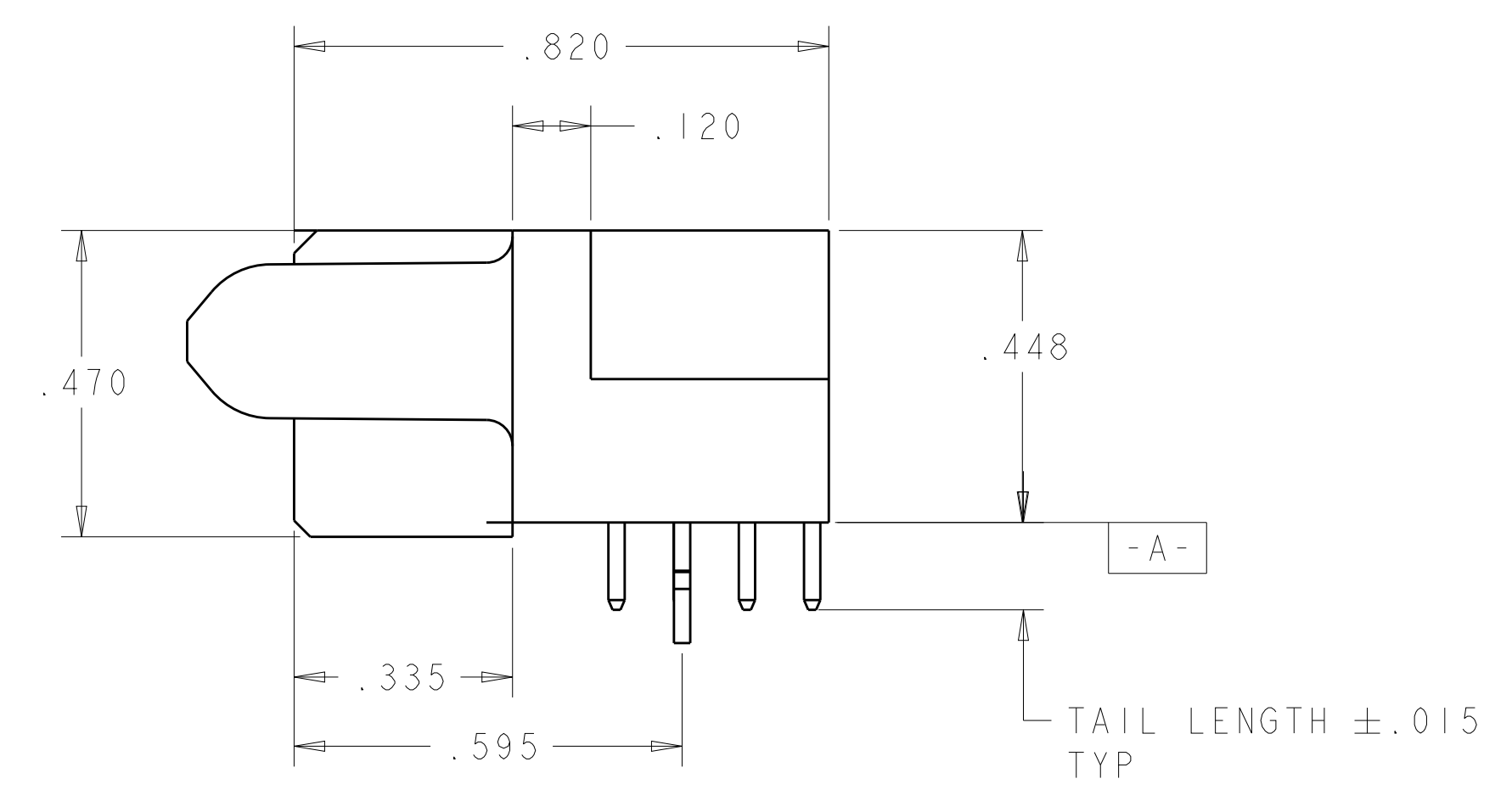
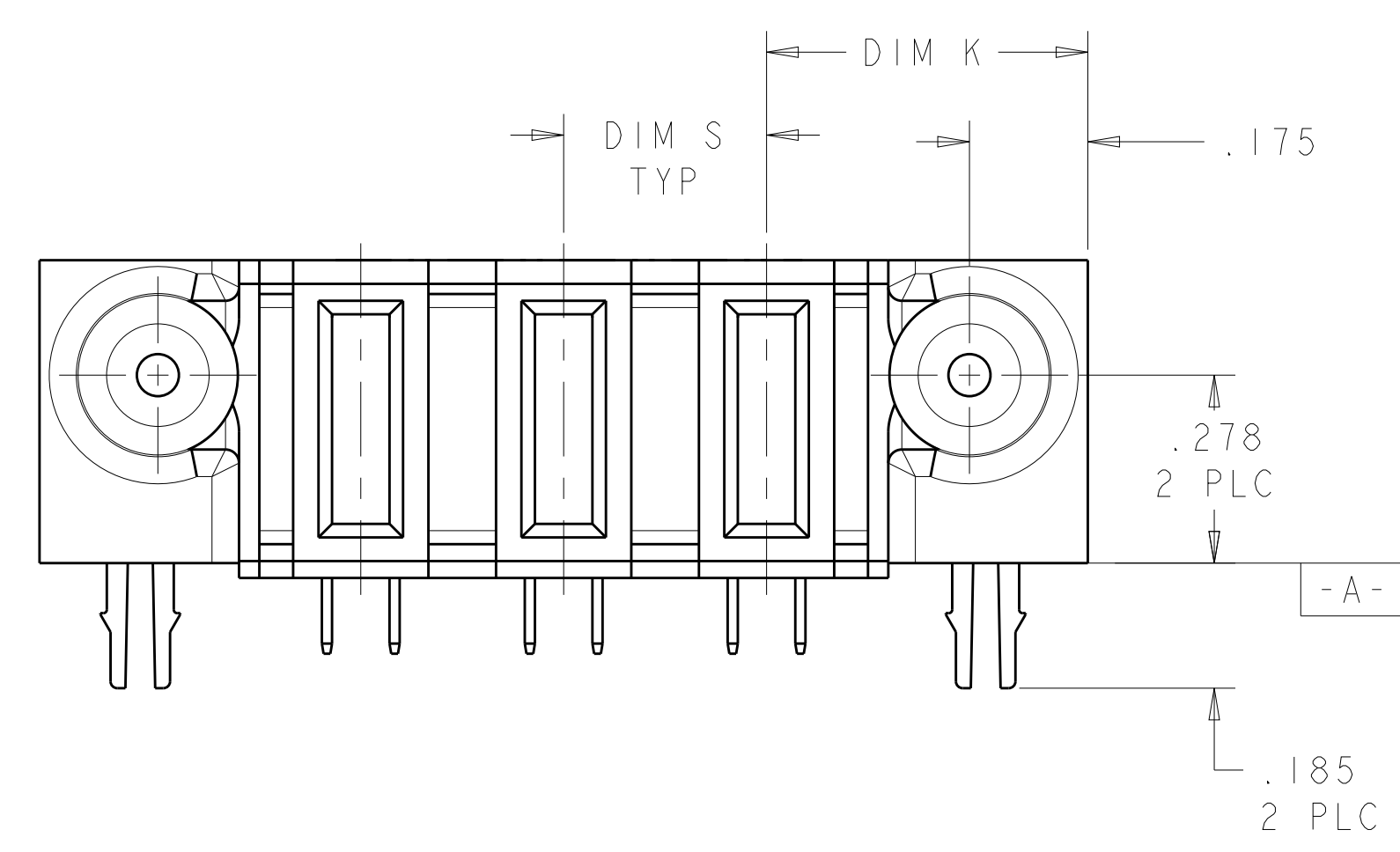


LOC		DIST		REVISIONS			
P	LTN	DESCRIPTION	DATE	DWN	APVD		
B2		ADD NEW DASH NUMBER -3	08APR2013	CZ	SZ		



- △ "AMP", PART NUMBER, AND DATE CODE TO BE MARKED IN AREA SHOWN. PARTS UNDER 2.000 MAY BE MARKED ON BOTH SIDES.
- △ MATERIAL: HOUSING - GLASS FILLED HIGH TEMP THERMO PLASTIC, UL94 V-0. POWER CONTACT -HIGH CONDUCTIVITY COPPER ALLOY.
- △ CONTACT PLATING: NOBLE METAL PLATING ON CONTACT FUNCTIONAL AREA OF POWER AND SIGNAL CONTACTS
- △ MECHANICAL CONNECTOR KEEP OUT ZONE.
- △ DATUM AND BASIC DIMENSIONS ESTABLISHED BY CUSTOMER.
- △ PCB - ALL HOLE DIAMETERS ARE FINISHED HOLE SIZES.
- △ PCB - .0453±.0010 DRILLED HOLES WITH .0003 MIN Sn OVER .001 TO .003 Cu PLATING TO ACHIEVE A .040±.003 DIA HOLE.



DIM U	DIM S	DIM D	DIM L	DIM K	DESCRIPTION	PART NUMBER
1.150	.300	1.200	1.500	.450	3ACP	6450173-3
1.550	.250	1.600	1.900	.450	5P	6450173-2
1.200	.300	1.250	1.550	.475	3ACP	6450173-1

THIS DRAWING IS A CONTROLLED DOCUMENT. DWN: R. GRZYBOWSKI, 22FEB05
 CHK: M. PERCHERKE, 22FEB05

STE TE Connectivity

NAME: RIGHT ANGLE RECEPTACLE ASSEMBLY WITH GUIDES MULTI-BEAM XL

PRODUCT SPEC: 108-1973
 APPLICATION SPEC: 114-13038

SIZE: A100779 C=6450173
 SCALE: 4:1 SHEET 1 OF 3 REV: B3

MATERIAL: △2 FINISH: △3

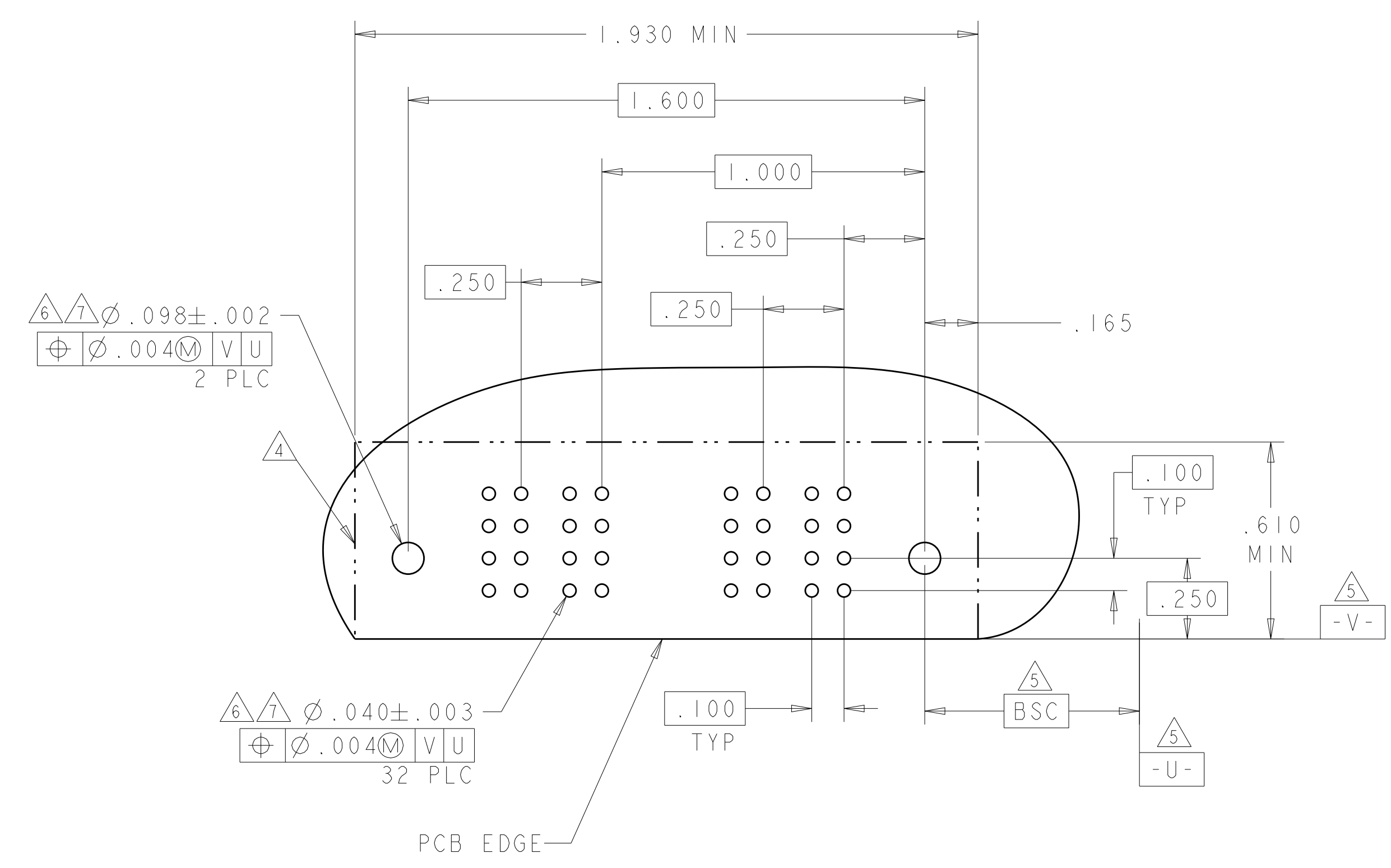
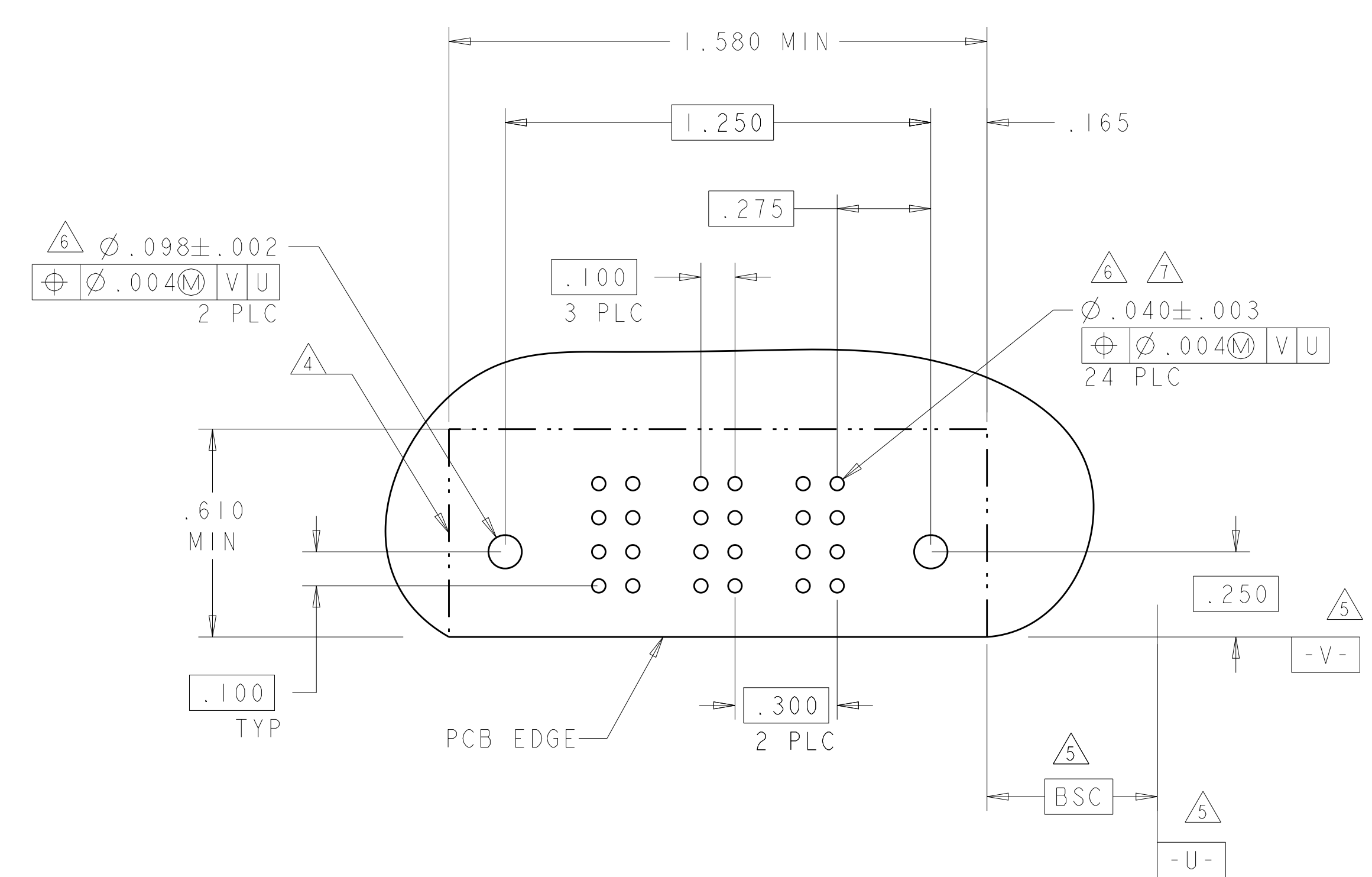
CUSTOMER DRAWING

LOC		DIST		REVISIONS			
P	LTN	DESCRIPTION	DATE	DWN	APVD		
-	-	SEE SHEET 1	-	-	-		

PART NUMBER	ROWS	POWER		
		P3	P2	P1
6450173-1	D C B A	RM	RA	RM
3ACP		HD		HD

PART NUMBER	ROWS	POWER				
		P5	P4	P3	P2	P1
6450173-2	D C B A	RA	RA		RM	RM
5P		HD				HD

.500 .250



RB	.090	MFBL
RN	.090	STD
RA	.135	MFBL
RM	.135	STD
CODE	TAIL LENGTH	DESCRIPTION
POWER CONTACT		

THIS DRAWING IS A CONTROLLED DOCUMENT. DWN: R. GRZYBOWSKI 22FEB05
 CHK: M. PERCHERKE 22FEB05
 APVD: M. PERCHERKE

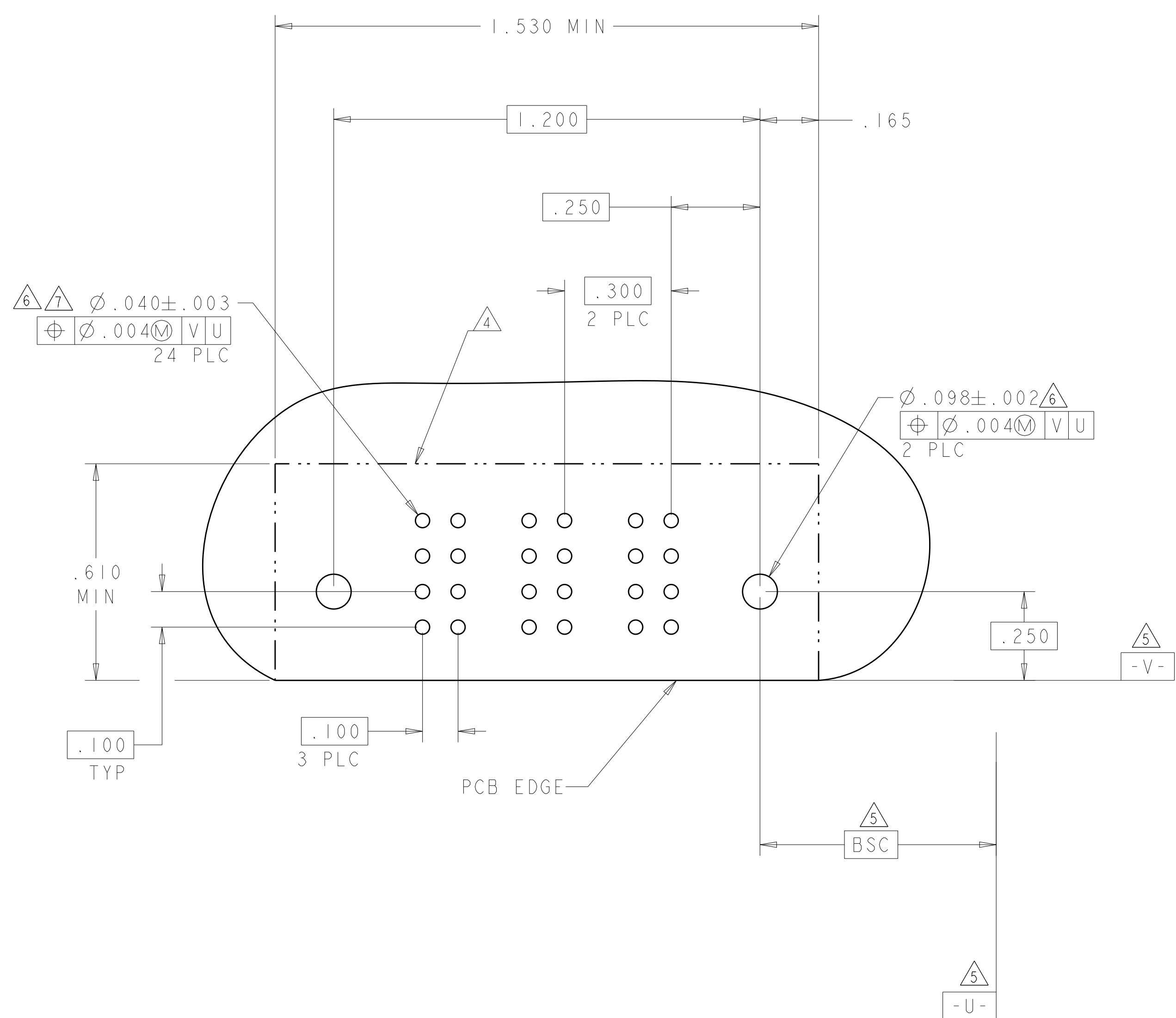
DIMENSIONS:	TOLERANCES UNLESS OTHERWISE SPECIFIED:	NAME	RIGHT ANGLE RECEPTACLE ASSEMBLY WITH GUIDES MULTI-BEAM XL
INCHES	0 PLC ±.01 1 PLC ±.01 2 PLC ±.01 3 PLC ±.005 4 PLC ±.002 ANGLES ±.020	PRODUCT SPEC	108-1973
MATERIAL	FINISH	APPLICATION SPEC	114-13038
		WEIGHT	
		CUSTOMER DRAWING	A100779

SCALE 4:1 SHEET 2 OF 3 REV B3

LOC	DIST	REVISIONS					
		P	LTH	DESCRIPTION	DATE	DWN	APVD
ES	00	-	-	SEE SHEET 1	-	-	-

PART NUMBER	ROWS	POWER		
		P3	P2	P1
6450173-3	D C B A	RA	RA	RA
3ACP		HD		HD

B3



THIS DRAWING IS A CONTROLLED DOCUMENT.		DWN R. GRZYBOWSKI CHK M. PERCHERKE	22FEB05 22FEB05	TE Connectivity
DIMENSIONS: INCHES	TOLERANCES UNLESS OTHERWISE SPECIFIED:	APVD M. PERCHERKE	NAME	
	0 PLC ± 1 PLC ±.01 2 PLC ±.01 3 PLC ±.005 4 PLC ±.0020 ANGLES ±.2° FINISH	PRODUCT SPEC	RIGHT ANGLE RECEPTACLE ASSEMBLY WITH GUIDES MULTI-BEAM XL	
MATERIAL		APPLICATION SPEC	RESTRICTED TO	
		114-13038	SIZE	
		WEIGHT	CAGE CODE	
		CUSTOMER DRAWING	DRAWING NO	
			A100779	
			DRAWING NO	
			C=6450173	
			SCALE	
			4:1	
			SHEET	
			3	
			OF	
			3	
			REV	
			B3	