

PLEASE CHECK WWW.MOLEX.COM FOR LATEST PART INFORMATION

Part Number: **0765605108**
Status: **Active**
Overview: Impact Backplane Connector and Cable Assembly System
Description: Impact 100 Ohm 6 Pair RAM Right-Angle Header, Right Guided, Open Endwall, 10 Columns, 180 Circuits, Pin Length 5.50mm, Plated Through Hole Dimension 0.39mm, Lead-Free

Documents:

3D Model	Application Specification AS-76060-9999-001 (PDF)
Drawing (PDF)	Packaging Specification PK-70873-777-001 (PDF)
3D Model (PDF)	Symbol Footprint Data SYM-76560-5108-001 (PDF)
Product Specification PS-76060-999-001 (PDF)	RoHS Certificate of Compliance (PDF)
Application Specification AS-76060-990-001 (PDF)	

Agency Certification

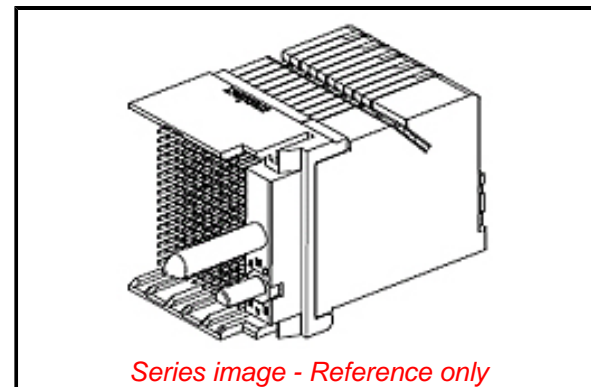
UL E29179

General

Product Family	Backplane Connectors
Series	76560
Application	Coplanar
Application Tooling Documents	TM-622018799-001
Component Type	PCB Header
Overview	Impact Backplane Connector and Cable Assembly System
Product Name	Impact
UPC	884982480681

Physical

Circuits (Loaded)	180
Circuits (maximum)	180
Color - Resin	Black
Durability (mating cycles max)	200
First Mate / Last Break	No
Flammability	94V-0
Guide to Mating Part	Yes
Keying to Mating Part	None
Material - Metal	High Performance Alloy (HPA)
Material - Plating Mating	Gold
Material - Plating Termination	Tin
Material - Resin	High Temperature Thermoplastic
Net Weight	32.008/g
Number of Columns	10
Number of Pairs	6
Number of Rows	18
Orientation	Right Angle
PC Tail Length	1.20mm
PCB Locator	No
PCB Retention	Yes
PCB Thickness - Recommended	1.00mm
Packaging Type	Tray
Pitch - Mating Interface	1.90mm
Pitch - Termination Interface	1.90mm
Plating min - Mating	0.762µm
Stackable	No
Temperature Range - Operating	-55° to +85°C
Termination Interface: Style	Through Hole - Compliant Pin



EU ELV

Not Relevant

EU RoHS

Compliant

REACH SVHC

Not Contained Per -
D(2021)4569-DC (8
July 2021)

Halogen-Free

Status

Low-Halogen

For more information, please visit [Contact US](#)

China ROHS

ELV

RoHS Phthalates

China RoHS

Green Image

Not Relevant

Not Contained

Search Parts in this Series

[76560](#) Series

Mates With

[76150](#) Impact 100 Ohm Daughtercard

Electrical

Current - Maximum per Contact	0.75A
Data Rate	25.0 Gbps
Impedance	100Ω
Shield Type	N/A
Shielded	No
Voltage - Maximum	30V AC (RMS)/DC

Solder Process Data

Lead-free Process Capability	N/A
------------------------------	-----

Material Info**Reference - Drawing Numbers**

Application Specification	AS-76060-990-001, AS-76060-9999-001
Electrical Model Document	EE-76560-0001-001
Packaging Specification	PK-70873-777-001
Product Specification	PS-76060-999-001
S-Parameter Model	SP-76560-0001-001, SP-76560-002-002
Sales Drawing	SD-76560-9004-001
Symbol/Footprint Data	SYM-76560-5108-001

This document was generated on 10/04/2021

PLEASE CHECK WWW.MOLEX.COM FOR LATEST PART INFORMATION