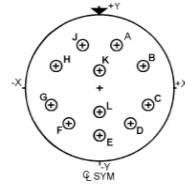


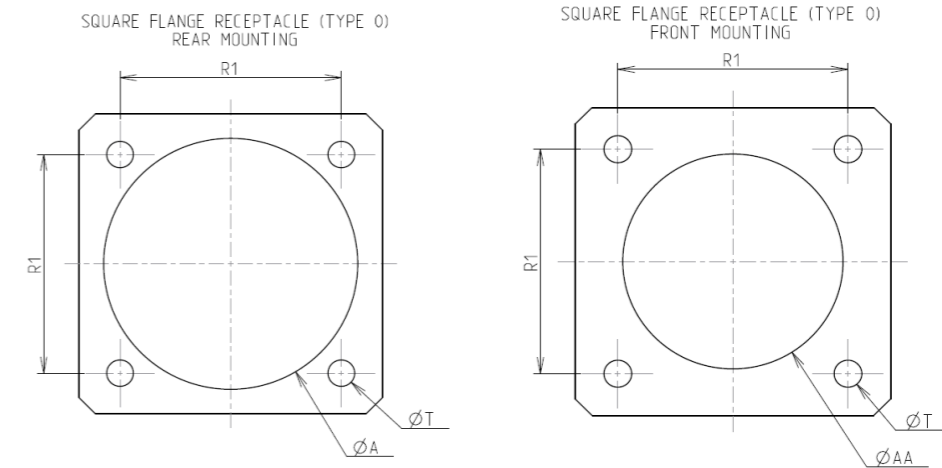
Contact Layout



Contacts (insert arrangement 19-11)					
Contact position ID	Location		Contact position ID	Location	
	X-axis (mm)	Y-axis (mm)		X-axis (mm)	Y-axis (mm)
A	+105 (2.67)	+260 (6.60)	G	-275 (6.99)	-053 (1.35)
B	+250 (6.35)	+132 (3.35)	H	-250 (6.35)	+132 (3.35)
C	+275 (6.99)	-053 (1.35)	J	-105 (2.67)	+260 (6.60)
D	+179 (4.55)	-215 (5.46)	K	+000 (0.00)	+105 (2.67)
E	+000 (0.00)	-281 (7.14)	L	+000 (0.00)	-092 (2.34)
F	-179 (4.55)	-215 (5.46)			

Shell size	Arrangement no.	Number of contacts	Size contacts	Service rating	Contact location	Supersedes
19	-11	11	16	II	All	MS20054-11

Panel Cutout



Dim	Nominal
ØA	32.96 min
ØAA	28.98 min
R1	29.36
ØT	3.25 ±0.13

SOURIAU shall not be liable for any non-conformity or damage due to a use of the Products which does not comply with the Specifications issued by either of the Parties or by a third party (professional recommendation, technical notice.)

Country	Jurisdiction & Control List
FR	Not Listed

PN: 8D019F11SE

A	08-10-2016	First Release	
ISS	DATE	Latest modification - by	MOD N°
Designed By:		Date:	CUSTOMER DRAWING
TITLE	Aluminium Receptacle 8D series		
SCALE		General linear Tolerances: ±--	NPRDS / PROJECT 859
NA			
SOURIAU	WWW.SOURIAU.COM		This document is the property of SOURIAU it must not be reproduced or communicated without permission
FORMAT	SOURIAU DRG N° 8D019F11SE-C		SHEET 2/2