

MATERIALS & SPECIFICATIONS

HOUSING:
ALUMINUM 6061-T6,
NICKEL PLATE PER SAE-
AMS-2404

INSULATOR:
LIQUID CRYSTAL
POLYMER (LCP) PER
ASTM D5138

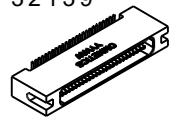
CONTACTS:
COPPER ALLOY PER
MIL-DTL-32139, GOLD
PLATED PER ASTM B488,
(HARD GOLD) TYPE II
CODE C, CLASS 1.27

TERMINATION:
SOLDER COATED WITH
SN63A
PER J-STD-006

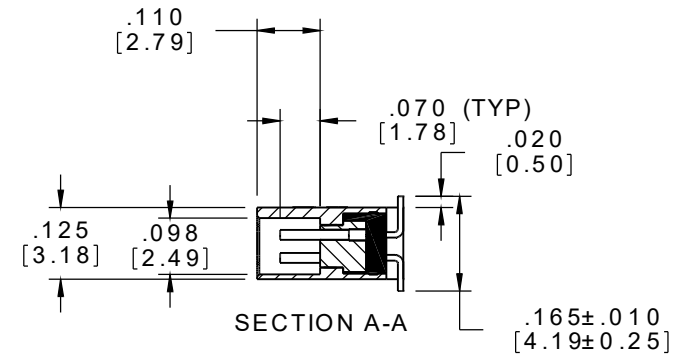
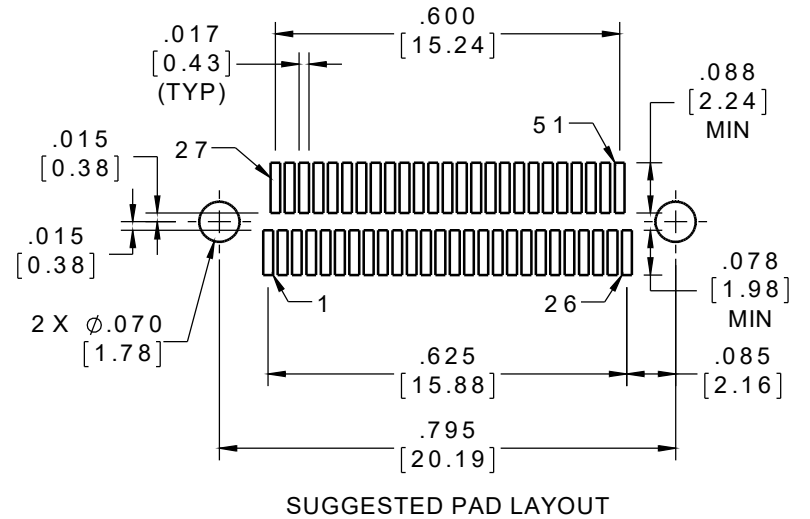
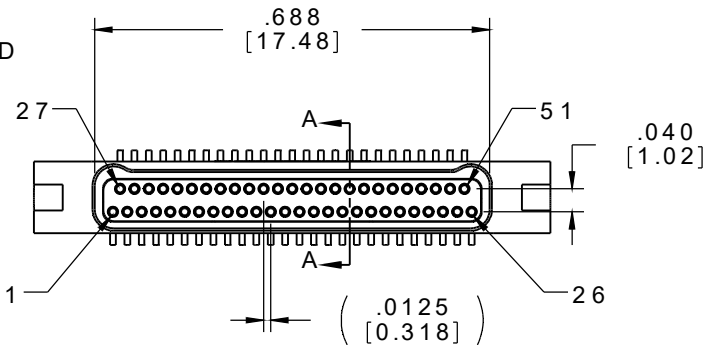
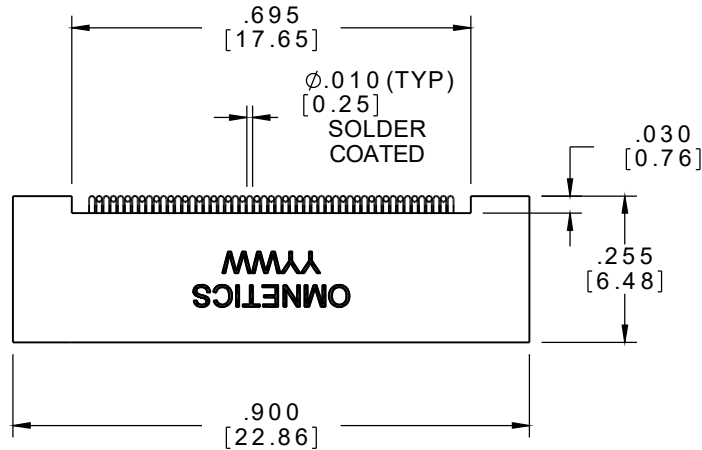
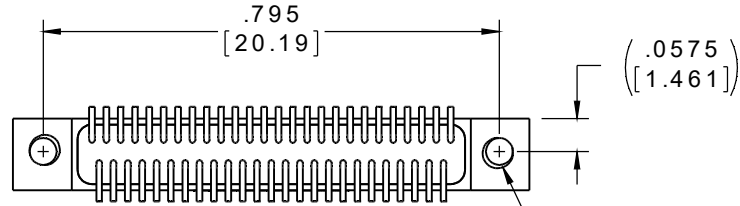
CURRENT RATING:
1 AMP MAX PER MIL-
DTL-32139

CONTACT RESISTANCE:
71 MILLIOHM MAX
(71mV DROP MAX) @
1.0 AMPS PER MIL-
DTL-32139

PERFORMANCE:
PRODUCT FAMILY TESTED
TO AND PASSED THE
PERFORMANCE
SPECIFICATIONS OF
TABLE VIII OF MIL-DTL-
32139



ACTUAL SIZE



NOTE:

DIMENSIONS IN [] ARE IN MILLIMETERS UNLESS OTHERWISE NOTED AND ARE FOR REFERENCE ONLY

MNSL /SLDW	THIRD ANGLE
	-TOLERANCES-
	UNLESS OTHERWISE NOTED
	DIMENSIONS IN INCHES
2 PL DEC ± .01	
3 PL DEC ± .005	
4 PL DEC ± .0005	
ANGLES ± 1°	

THIS DRAWING CONTAINS CONFIDENTIAL AND PROPRIETARY INFORMATION WHICH IS THE PROPERTY OF OMNETICS CONNECTOR CORP. THIS DOCUMENT MAY NOT, IN WHOLE OR IN PART, BE DUPLICATED, OR DISCLOSED FOR ANY PURPOSE, WITHOUT WRITTEN PERMISSION FROM OMNETICS CONNECTOR CORP.	
DFTM. MJM	DATE 04-08-14
CHK'D.	DATE
APP'D.	DATE
TITLE: (51) SOCKET FEMALE LATCHING Bi-Lobe® CONNECTOR	

OMNETICS
CONNECTOR CORPORATION
7260 COMMERCE CIRCLE EAST
MINNEAPOLIS, MN 55432
WWW.OMNETICS.COM

CAGE CODE 61873	
DWG NO. A29052-051	
SHEET 1 OF 1	REV B
SCALE: 3:1	

PART NO.	A29052-051	REV	ECO	DATE	APP
		B	102596	05-18-16	TLM